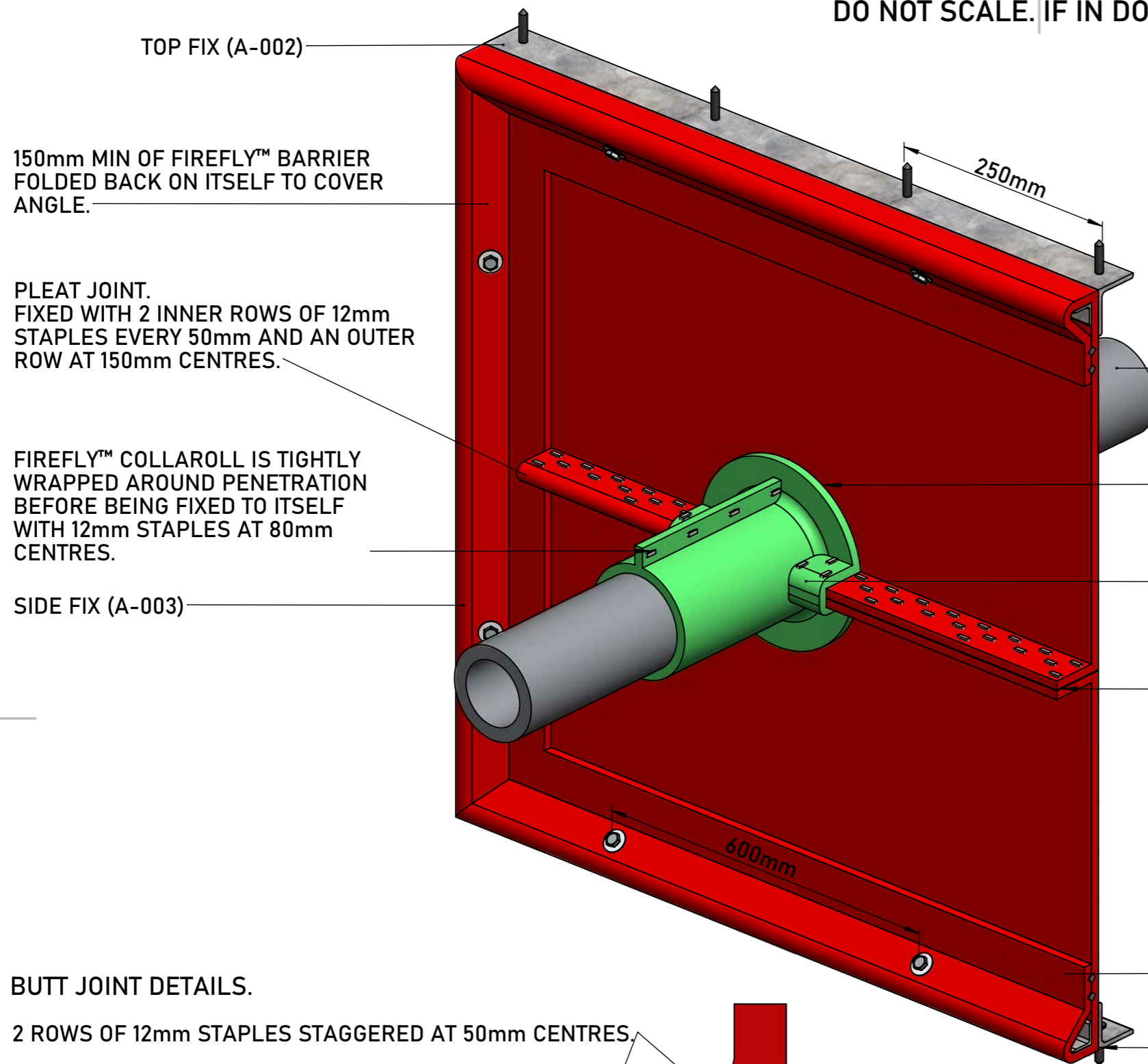


DO NOT SCALE. IF IN DOUBT ASK!



FIRE RATED FIXINGS SECURING THE ANGLE TO TOP FIX AT 250mm CENTRES.

25mm x 25mm x 0.7mm MIN THICK CONTINUOUS GALVANISED ANGLE.

FIRE RATED FIXING SECURING THE BARRIER TO THE ANGLE AT 600mm CENTRES.

2 BEADS OF FIREFLY™ HIGH TEMPERATURE ADHESIVE SECURING THE BARRIER TO ITSELF.

METALLIC PENETRATION.

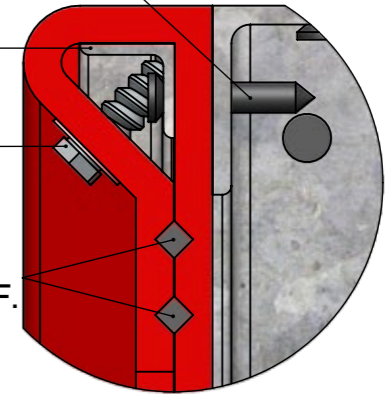
FIREFLY™ COLLAROLL FLANGE SECURED FLUSH TO THE BARRIER WITH 2 BEADS OF FIREFLY™ HIGH TEMPERATURE ADHESIVE.

FIREFLY™ COLLAROLL WRAPPED AROUND JOINT AND SEALED WITH HTA AND 12mm STAPLES AS REQUIRED.

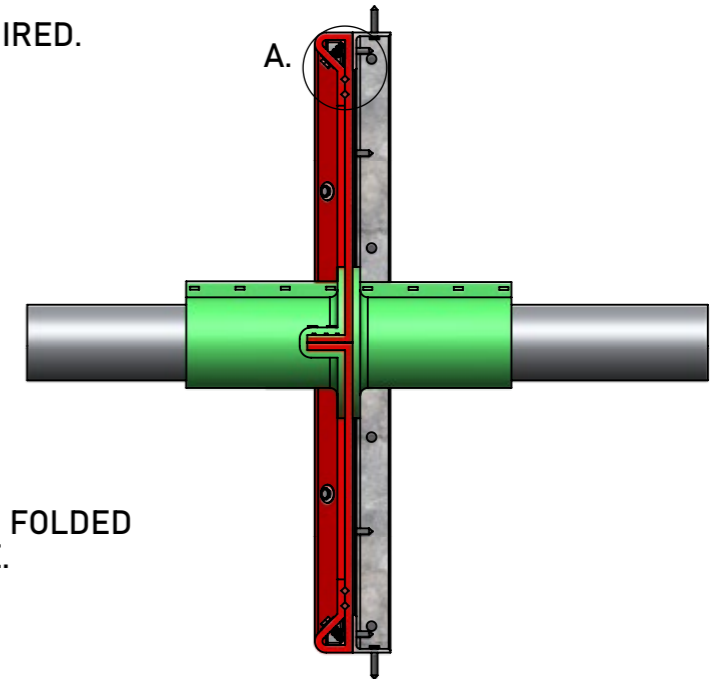
BUTT JOINT. FIXED WITH 2 INNER ROWS OF 12mm STAPLES EVERY 50mm AND AN OUTER ROW AT 150mm CENTRES.

150mm MIN OF FIREFLY™ BARRIER FOLDED BACK ON ITSELF TO COVER ANGLE.

BOTTOM FIX (A-004)

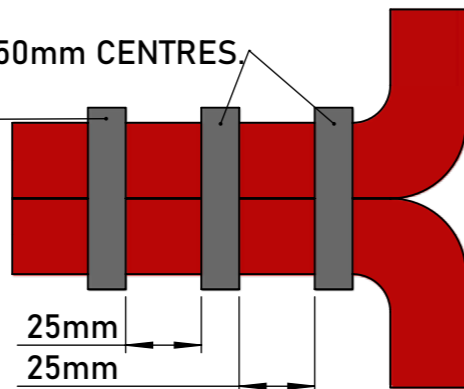


DETAIL A. TOP FIX (A-002)



BUTT JOINT DETAILS.

2 ROWS OF 12mm STAPLES STAGGERED AT 50mm CENTRES.
CLOSING STAPLES AT 150mm CENTRES.



FOR LARGER INSTALLATIONS. REFER TO THE RELEVANT PRODUCT DRAWINGS (A-017 & A-018).
CONTACT THE MANUFACTURER FOR CLARIFICATION ON NON-STANDARD INSTRUCTIONS.

APOLLO LITE™ - GENERAL ASSEMBLY

TBA PROTECTIVE TECHNOLOGIES LTD

UNIT 3, Transpennine Trading Estate, Gorrells Way
Rochdale, OL11 2PX, United Kingdom

T: +44 (0)1706 758 817
E: Technical@TBAFIREFLY.com
W: www.tbafirefly.com

ARTIST: JC

APPROVED: DA

DATE: 07/12/2022

SCALE: NTS

DRAWING NO:

A - 001

REVISION: 4

IN SEQUENCE: 1/1



ALL RIGHTS RESERVED. NO PARTS OF THIS DRAWING MAY BE USED REPRODUCED, ALTERED, STORED IN A RETRIEVAL SYSTEM OR TRANSMITTED IN ANY FORM OR BY ANY MEANS WITHOUT THE PRIOR WRITTEN PERMISSION OF TBA PROTECTIVE TECHNOLOGIES LTD. WHILST EVERY EFFORT HAS BEEN MADE TO COMPLY WITH THE CURRENT STATUTORY REGULATIONS, IT IS THE USER'S RESPONSIBILITY TO ENSURE THAT THE FINAL DETAILING AND INSTALLATION MEETS THE REQUIREMENTS OF RELEVANT REGULATORY AUTHORITY (OFTEN BUILDING CONTROL). PLEASE CHECK www.tbafirefly.com TO ENSURE THAT YOU ARE USING THE CORRECT AND CURRENT VERSION. COPYRIGHT 2022