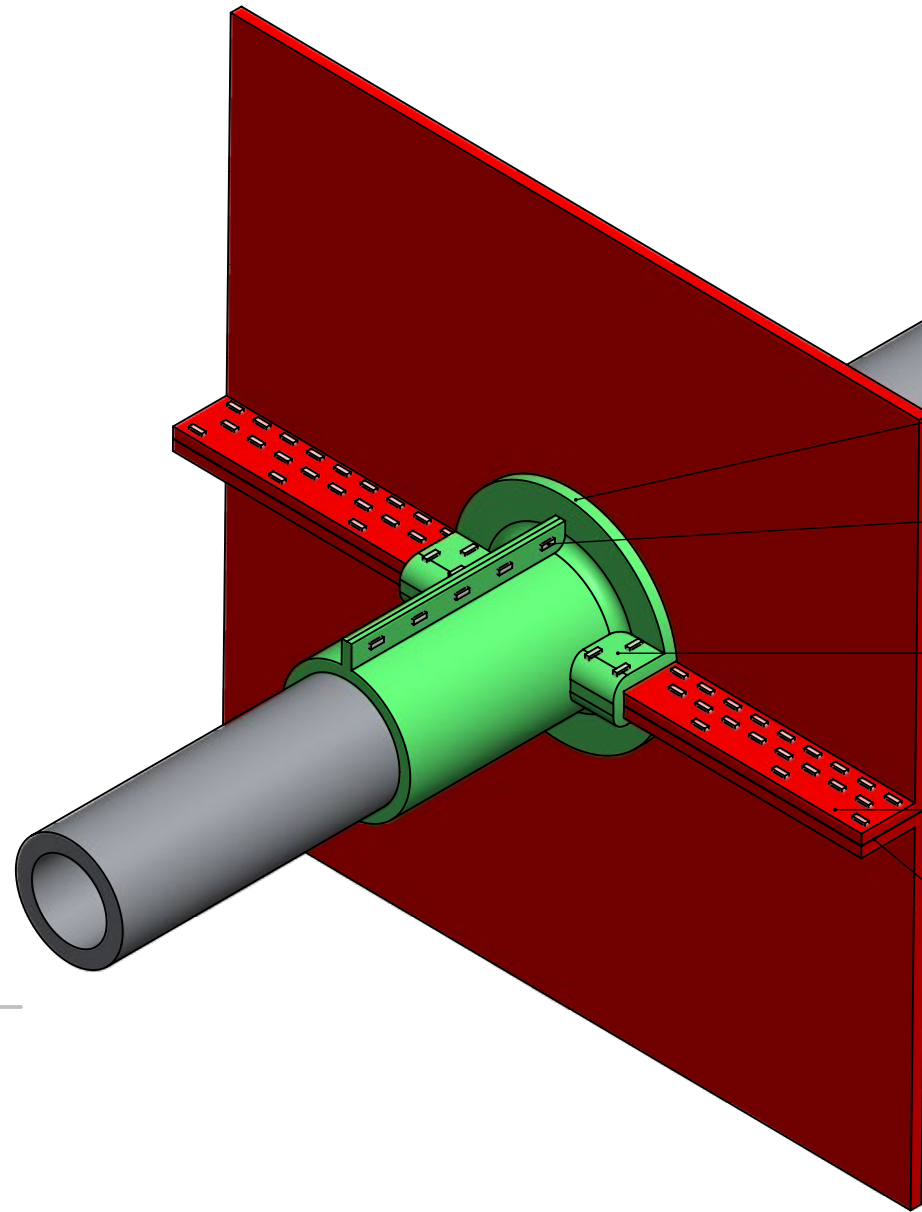


DO NOT SCALE. IF IN DOUBT ASK!



METALLIC PENETRATION.

FLANGE SECURED FLUSH TO THE BARRIER WITH 2 BEADS OF FIREFLY™ HIGH TEMPERATURE ADHESIVE.

FIREFLY™ COLLAROLL FOLDED OVER AND STAPLED TO ITSELF USING 12mm STAPLES AT 80mm CENTRES.

FIREFLY™ COLLAROLL WRAPPED AROUND JOINT AND SECURED WITH HTA AND 12mm STAPLES AS REQUIRED.

BUTT JOINT. STAPLED 250mm UP TO THE END OF BARRIER, TO ALLOW FORMATION OF VERTICAL JOINT TO ADJACENT BARRIER.

SEAL END OF JOINT WITH FIREFLY™ HIGH TEMPERATURE ADHESIVE.

THE COLLAROLL SHOULD BE FIT AS TIGHTLY AS POSSIBLE AROUND THE PENETRATION.

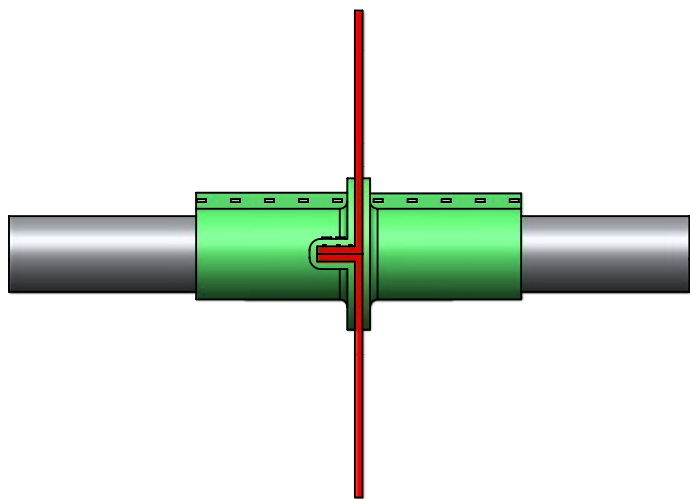
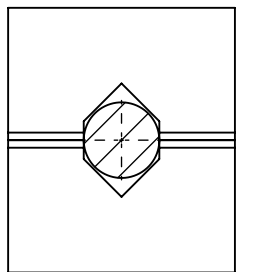
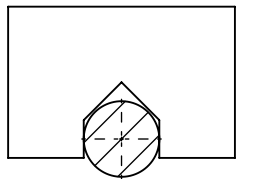
**PENETRATION DETAILS.**

WORKING FROM THE TOP DRAPE THE BARRIER 150mm PAST THE CENTRE OF THE PENETRATION.

CUT THE BARRIER TO ACCOMMODATE THE PENETRATION.

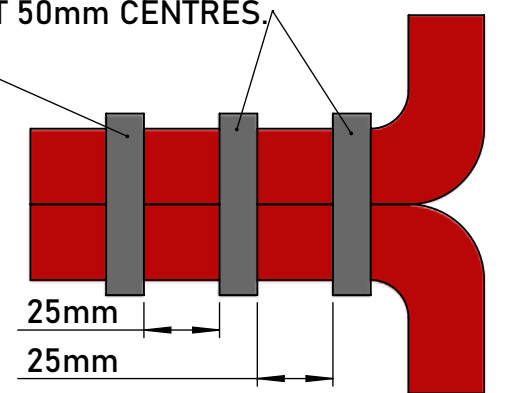
LIFT SECOND BARRIER AND STAPLE TO ABOVE BARRIER USING STANDARD 3 ROW STAPLE BUT JOINT.

CUT LOWER BARRIER TO ACCOMMODATE THE PENETRATION.



2 ROWS OF 12mm STAPLES STAGGERED AT 50mm CENTRES CLOSING STAPLES AT 150mm CENTRES.

**BUTT JOINT DETAILS.**



**APOLLO LITE™ - BUTT JOINT FOR PENETRATION**

TBA PROTECTIVE TECHNOLOGIES LTD

UNIT 3, Transpennine Trading Estate, Gorrells Way  
Rochdale, OL11 2PX, United Kingdom

T: +44 (0)1706 758 817  
E: Technical@TBAFIREFLY.com  
W: www.tbafirefly.com

ARTIST: JC

APPROVED: DA

DATE: 07/12/2022

SCALE: NTS

DRAWING NO:

A - 008

REVISION: 1

IN SEQUENCE: 1/1

ALL RIGHTS RESERVED. NO PARTS OF THIS DRAWING MAY BE USED REPRODUCED, ALTERED, STORED IN A RETRIEVAL SYSTEM OR TRANSMITTED IN ANY FORM OR BY ANY MEANS WITHOUT THE PRIOR WRITTEN PERMISSION OF TBA PROTECTIVE TECHNOLOGIES LTD. WHILST EVERY EFFORT HAS BEEN MADE TO COMPLY WITH THE CURRENT STATUTORY REGULATIONS, IT IS THE USER'S RESPONSIBILITY TO ENSURE THAT THE FINAL DETAILING AND INSTALLATION MEETS THE REQUIREMENTS OF RELEVANT REGULATORY AUTHORITY (OFTEN BUILDING CONTROL). PLEASE CHECK [www.tbafirefly.com](http://www.tbafirefly.com) TO ENSURE THAT YOU ARE USING THE CORRECT AND CURRENT VERSION. COPYRIGHT 2022

