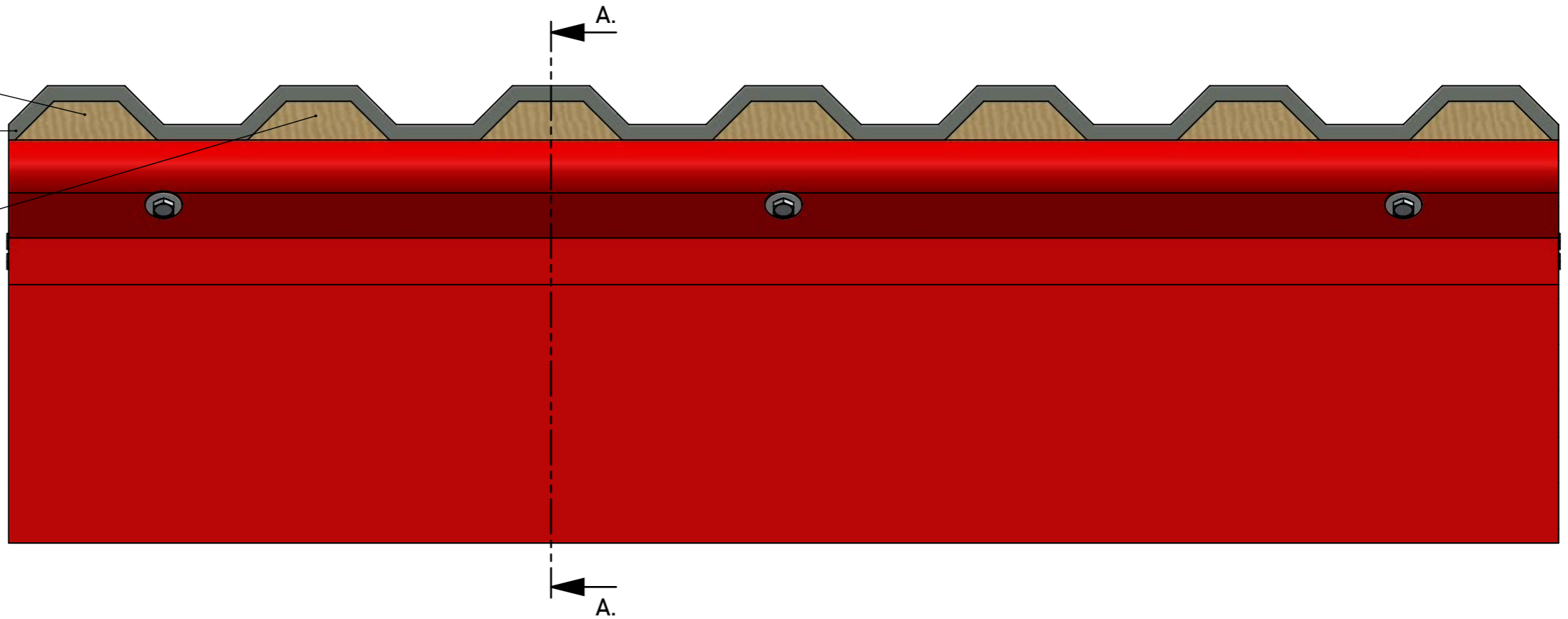


DO NOT SCALE. IF IN DOUBT ASK!

FIREFLY™ FB 180 BATT.
CUT TO FILL GAP, BUTTERED
WITH FIREFLY™ ACRYLIC MASTIC
AND FRICTION FITTED.

PROFILE ROOF.

BATT PAINTED WITH BRUSH
GRADE INTUMESCENT MASTIC
AFTER FITTING.



FIREFLY™ FB 180 BATT, FILLING GAP.

PROFILE ROOF.

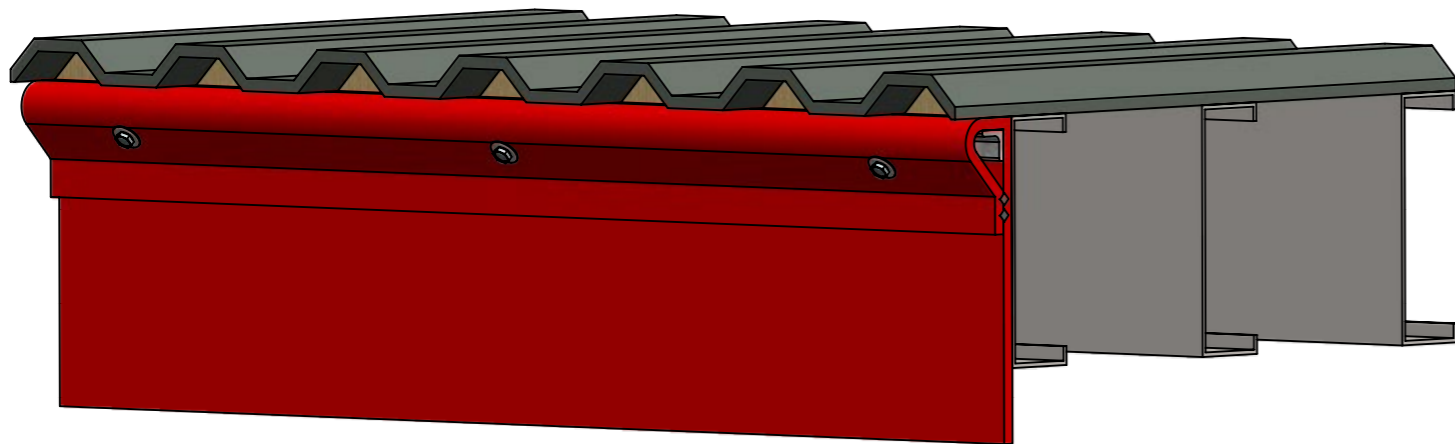
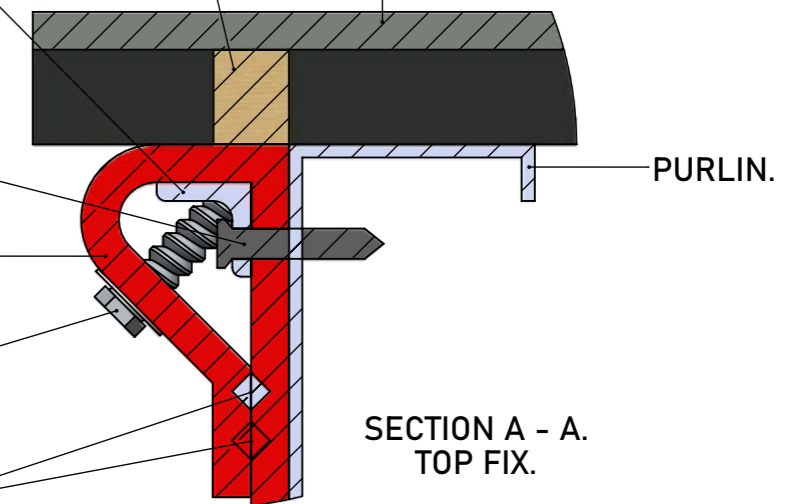
CONTINUOUS 50 x 50 x 0.7 mm MIN
GALVANISED ANGLE.

FIRE RATED FIXINGS SECURING
THE ANGLE TO THE PURLIN AT
250mm CENTRES.

150mm OVERLAP MINIMUM OF
FIREFLY™ BARRIER FOLDED
OVER ANGLE.

FIRE RATED FIXINGS SECURING
THE BARRIER TO THE ANGLE
AT 600mm CENTRES.

2 BEADS OF FIREFLY™ HIGH
TEMPERATURE ADHESIVE.



APOLLO LITE™ - TOP FIX - PROFILE ROOF

TBA PROTECTIVE TECHNOLOGIES LTD

ARTIST: JC

DRAWING NO:

UNIT 3, Transpennine Trading Estate, Gorrells Way
Rochdale, OL11 2PX, United Kingdom

APPROVED: DA

A - 013

T: +44 (0)1706 758 817
E: Technical@TBAFIREFLY.com
W: www.tbafirefly.com

DATE: 25/01/2022

REVISION: 2

SCALE: NTS

IN SEQUENCE: 1/1

ALL RIGHTS RESERVED. NO PARTS OF THIS DRAWING MAY BE USED REPRODUCED, ALTERED, STORED IN A RETRIEVAL SYSTEM OR TRANSMITTED IN ANY FORM OR BY ANY MEANS WITHOUT THE PRIOR WRITTEN PERMISSION OF TBA PROTECTIVE TECHNOLOGIES LTD. WHILST EVERY EFFORT HAS BEEN MADE TO COMPLY WITH THE CURRENT STATUTORY REGULATIONS, IT IS THE USER'S RESPONSIBILITY TO ENSURE THAT THE FINAL DETAILING AND INSTALLATION MEETS THE REQUIREMENTS OF RELEVANT REGULATORY AUTHORITY (OFTEN BUILDING CONTROL). PLEASE CHECK www.tbafirefly.com TO ENSURE THAT YOU ARE USING THE CORRECT AND CURRENT VERSION. COPYRIGHT 2022

