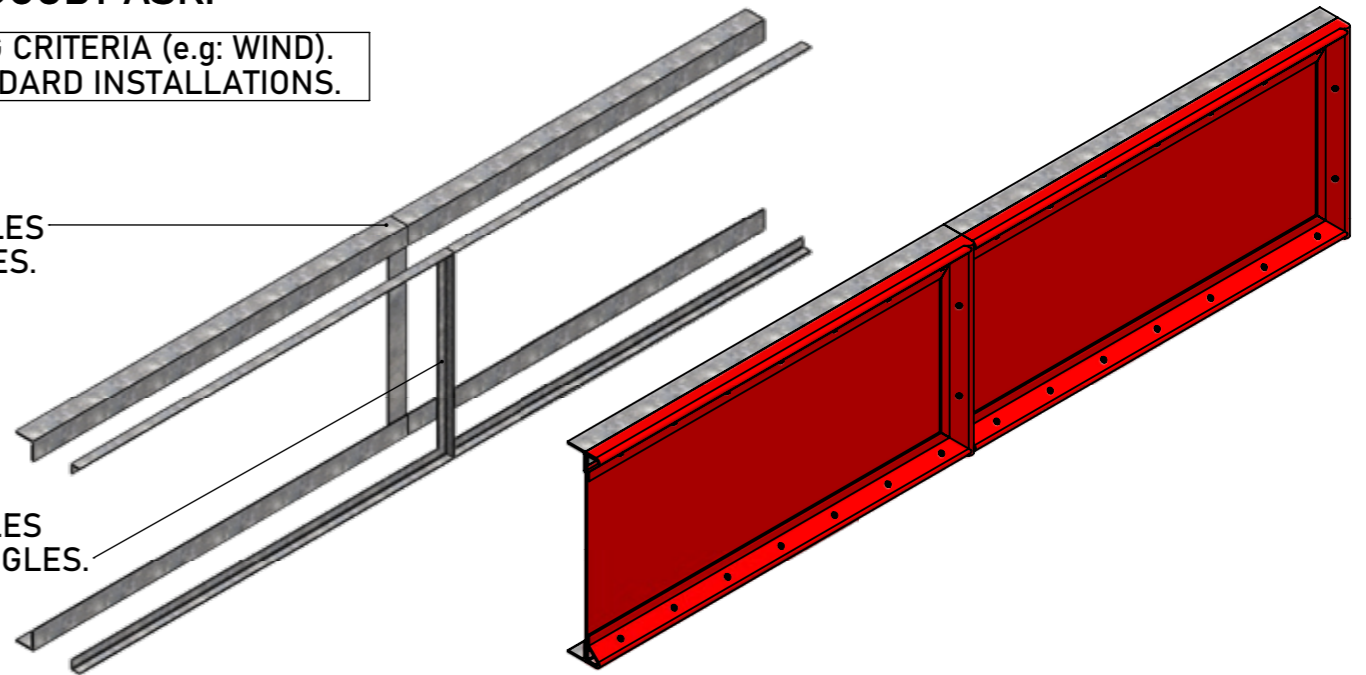


DO NOT SCALE. IF IN DOUBT ASK!

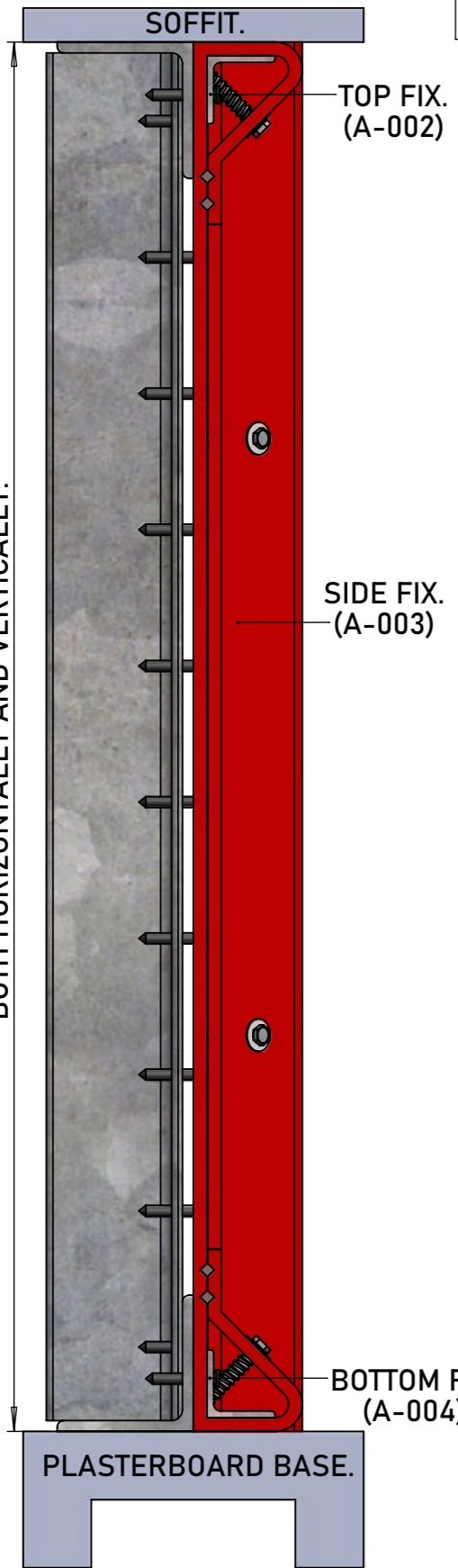
FOR LARGER INSTALLATIONS CONSIDER OTHER DESIGN/LOADING CRITERIA (e.g: WIND). CONTACT THE MANUFACTURER FOR CLARIFICATION ON NON-STANDARD INSTALLATIONS.

50 x 50 x 0.7mm CONTINUOUS GALVANISED ANGLES SERVING AS A FRAME FOR THE CLAMPING ANGLES. INSTALLED FIRST.

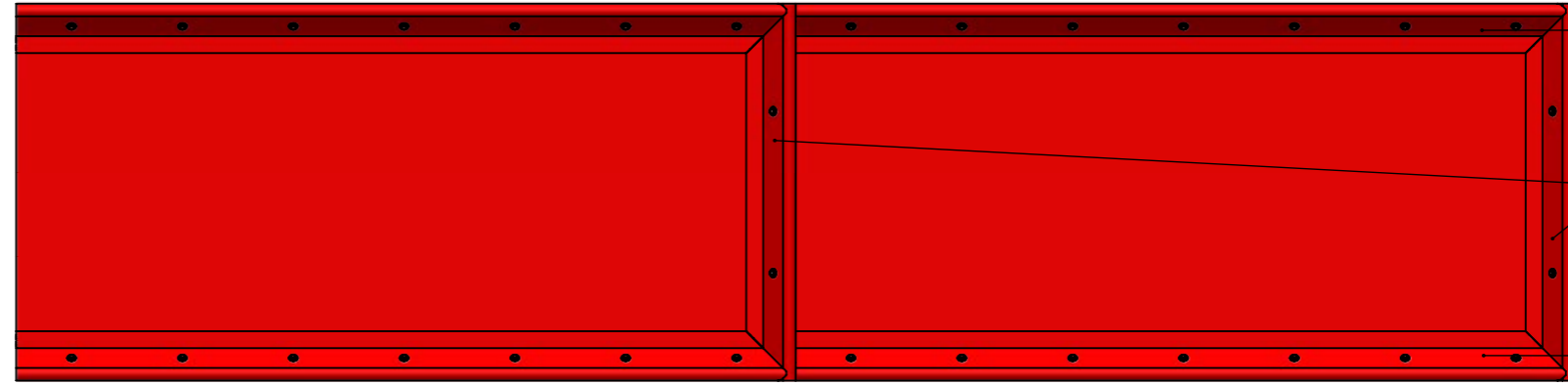
25 x 25 x 0.7mm CONTINUOUS GALVANISED ANGLES CLAMPING THE BARRIER TO THE SUPPORTING ANGLES. WITH FIRE RATED FIXINGS AT 250mm CENTRES.



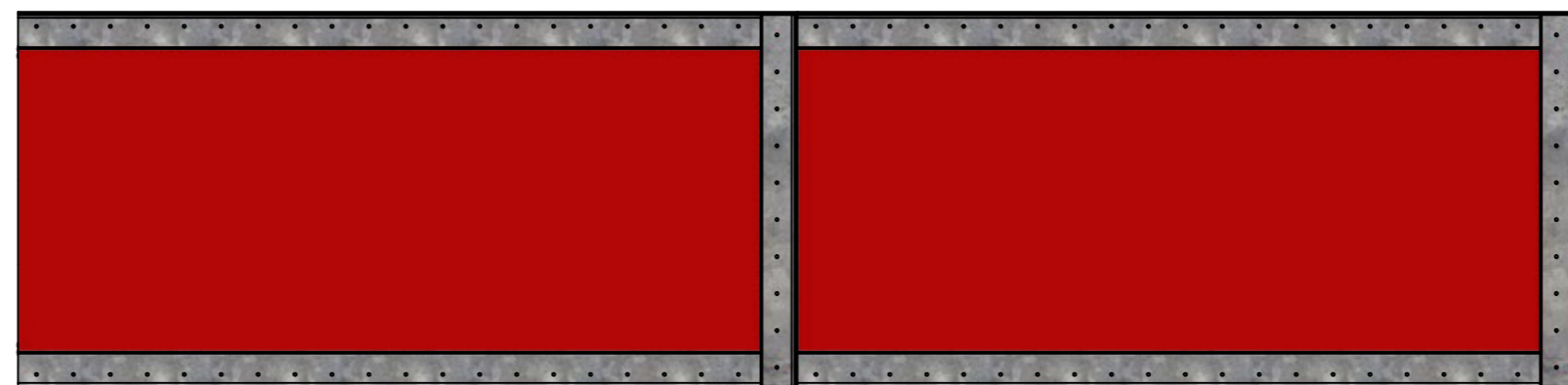
MECHANICAL SUPPORT REQUIRED EVERY 8m MAXIMUM BOTH HORIZONTALLY AND VERTICALLY.



PROTECTED VIEW.



EXPOSED VIEW.



MECHANICAL SUPPORT REQUIRED EVERY 8m MAXIMUM BOTH HORIZONTALLY AND VERTICALLY.

APOLLO LITE™ - CONTINUOUS FIX

TBA PROTECTIVE TECHNOLOGIES LTD UNIT 3, Transpennine Trading Estate, Gorrells Way Rochdale, OL11 2PX, United Kingdom T: +44 (0)1706 758 817 E: Technical@TBAFIREFLY.com W: www.tbafirefly.com	ARTIST: JC	DRAWING NO:
	APPROVED: DA	A - 018
	DATE: 07/12/2022	REVISION: 4
	SCALE: NTS	IN SEQUENCE: 1/1



ALL RIGHTS RESERVED. NO PARTS OF THIS DRAWING MAY BE USED REPRODUCED, ALTERED, STORED IN A RETRIEVAL SYSTEM OR TRANSMITTED IN ANY FORM OR BY ANY MEANS WITHOUT THE PRIOR WRITTEN PERMISSION OF TBA PROTECTIVE TECHNOLOGIES LTD. WHILST EVERY EFFORT HAS BEEN MADE TO COMPLY WITH THE CURRENT STATUTORY REGULATIONS, IT IS THE USER'S RESPONSIBILITY TO ENSURE THAT THE FINAL DETAILING AND INSTALLATION MEETS THE REQUIREMENTS OF RELEVANT REGULATORY AUTHORITY (OFTEN BUILDING CONTROL). PLEASE CHECK [www.tbafirefly.com](http://www.tbafirefly.com) TO ENSURE THAT YOU ARE USING THE CORRECT AND CURRENT VERSION. COPYRIGHT 2022