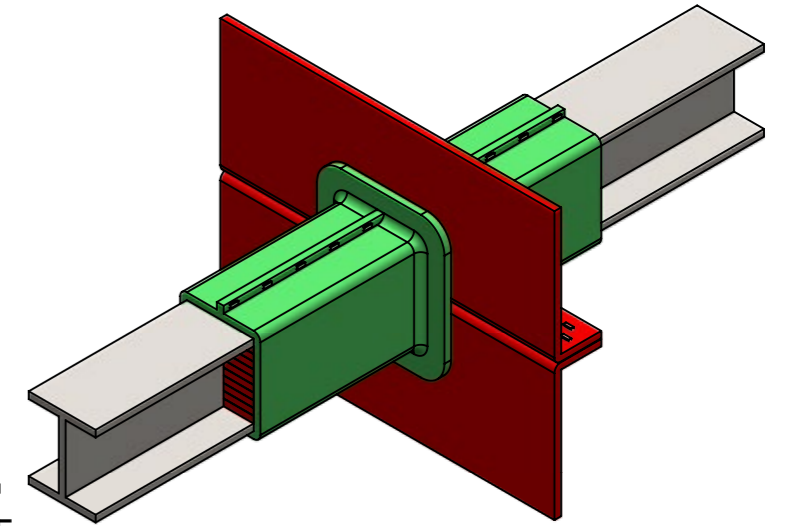
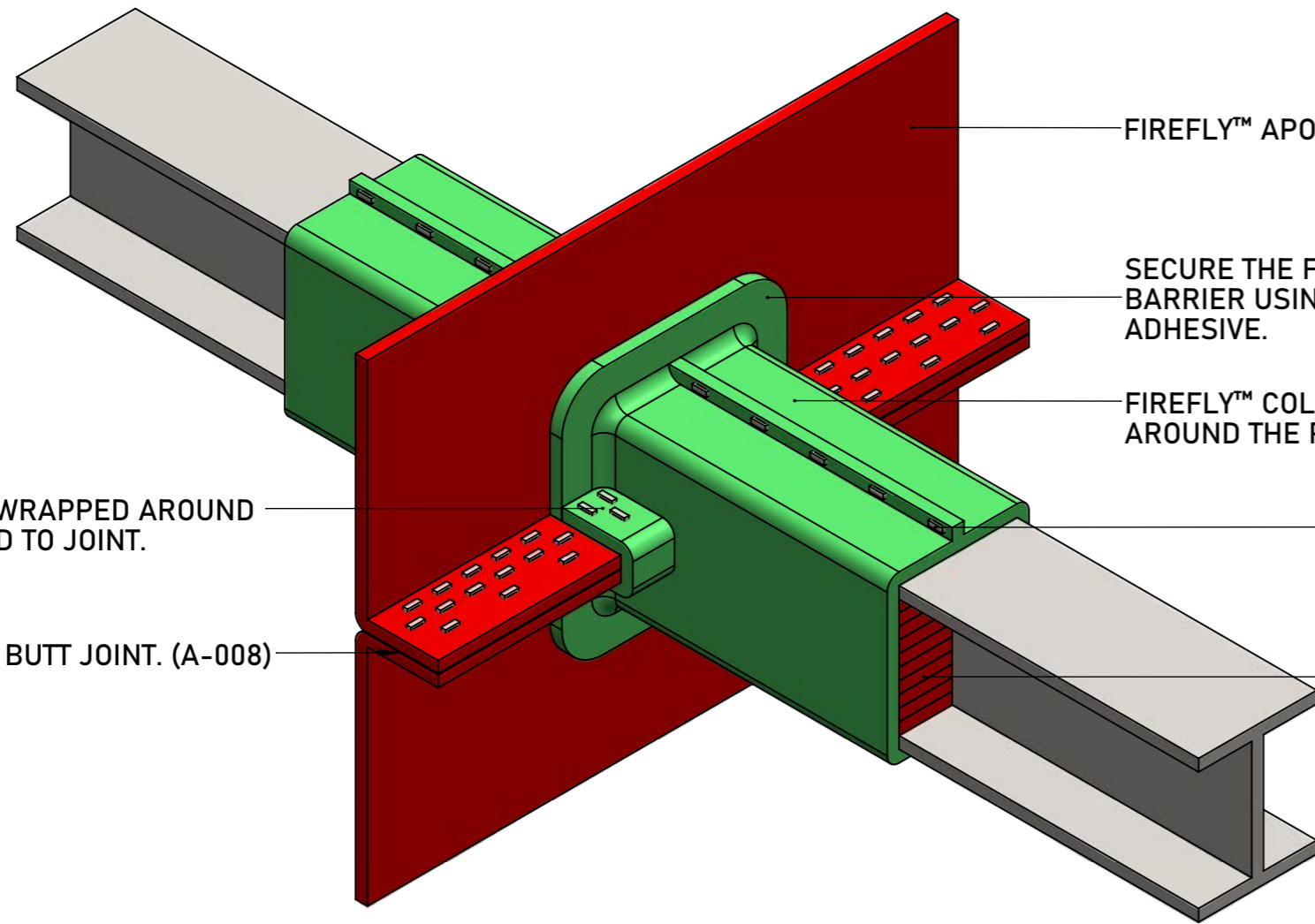


DO NOT SCALE. IF IN DOUBT ASK!



FIREFLY™ APOLLO LITE™ BARRIER.

SECURE THE FLANGE FLUSH TO THE FIREFLY™ BARRIER USING FIREFLY™ HIGH TEMPERATURE ADHESIVE.

FIREFLY™ COLLAROLL FITTED AS TIGHT AS POSSIBLE AROUND THE PENETRATING I BEAM.

COLLAROLL WRAPPED AROUND AND STAPLED TO JOINT.

12mm STAPLES AT 80mm CENTRES, SECURING THE COLLAROLL TO ITSELF.

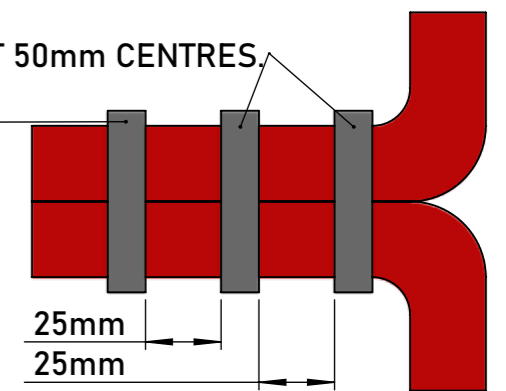
BUTT JOINT. (A-008)

FIREFLY™ APOLLO LITE™ BARRIER PACKED INTO VOID TO FORM INSULATED BARRIER. 300mm FROM EITHER SIDE OF BARRIER.

FOR FIXING INTO INTUMESCENT BEAMS PLEASE CONTACT PAINT MANUFACTURERS.

2 ROWS OF 12mm STAPLES STAGGERED AT 50mm CENTRES CLOSING STAPLES AT 150mm CENTRES.

BUTT JOINT DETAILS.



APOLLO LITE™ - I BEAM PENETRATION

TBA PROTECTIVE TECHNOLOGIES LTD

ARTIST: JC

DRAWING NO:

UNIT 3, Transpennine Trading Estate, Gorrells Way
Rochdale, OL11 2PX, United Kingdom

APPROVED: DA

A - 202B

T: +44 (0)1706 758 817
E: Technical@TBAFIREFLY.com
W: www.tbafirefly.com

DATE: 07/12/2022

REVISION: 1

SCALE: NTS

IN SEQUENCE: 1/1

ALL RIGHTS RESERVED. NO PARTS OF THIS DRAWING MAY BE USED REPRODUCED, ALTERED, STORED IN A RETRIEVAL SYSTEM OR TRANSMITTED IN ANY FORM OR BY ANY MEANS WITHOUT THE PRIOR WRITTEN PERMISSION OF TBA PROTECTIVE TECHNOLOGIES LTD. WHILST EVERY EFFORT HAS BEEN MADE TO COMPLY WITH THE CURRENT STATUTORY REGULATIONS, IT IS THE USER'S RESPONSIBILITY TO ENSURE THAT THE FINAL DETAILING AND INSTALLATION MEETS THE REQUIREMENTS OF RELEVANT REGULATORY AUTHORITY (OFTEN BUILDING CONTROL). PLEASE CHECK www.tbafirefly.com TO ENSURE THAT YOU ARE USING THE CORRECT AND CURRENT VERSION. COPYRIGHT 2022

