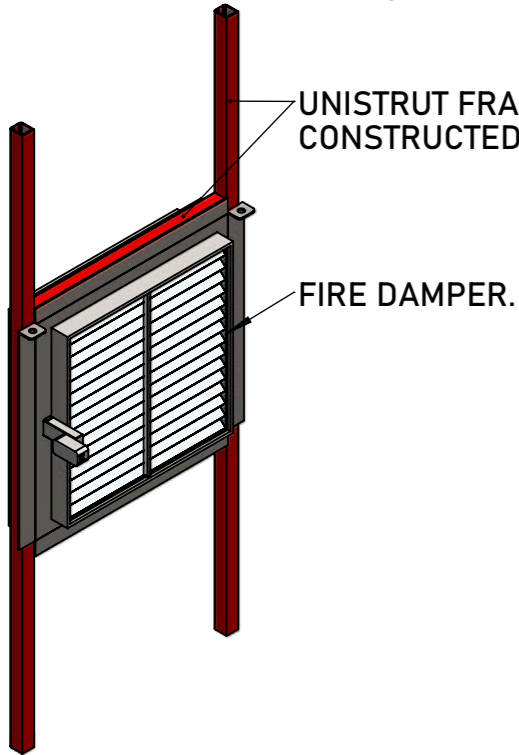


DO NOT SCALE. IF IN DOUBT ASK!

A PROTECTED FRAMEWORK IS TO BE CONSTRUCTED AROUND THE FIRE DAMPERS DESIRED LOCATION BEFORE THE BARRIER IS FIXED TO FRAMEWORK USING 25x25x0.7mm GALVANISED ANGLE AND WRAPPED AS PER STANDARD DETAILS.

FIRE DAMPER MUST BE INDEPENDENTLY SUPPORTED AS PER MANUFACTURERS RECOMMENDATIONS.

UNISTRUT FRAMEWORK PREWRAPPED WITH FIREFLY™ BARRIER CONSTRUCTED AROUND PRE-EXISTING FIRE DAMPER.



DETAIL A. SIDE FIX (A-003)

150mm MINIMUM OVERLAP FOLDED OVER TO PROTECT ANGLE.

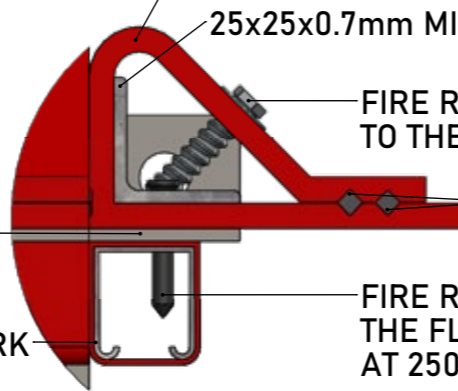
25x25x0.7mm MIN THICK GALVANISED ANGLE.

FIRE RATED FIXINGS SECURING THE BARRIER TO THE ANGLE AT 600mm CENTRES.

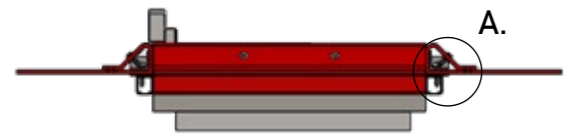
FIREFLY™ HIGH TEMPERATURE ADHESIVE.

FLANGE PLATE.

UNISTRUT FRAMEWORK



FIRE RATED FIXINGS SECURING THE ANGLE THROUGH THE FLANGE PLATE INTO THE WRAPPED UNISTRUT AT 250mm CENTRES.



DETAIL B. OTHER DETAILS SAME AS ABOVE. BOTTOM FIX (A-004)

FIRE RATED FIXINGS SECURING THE ANGLE THROUGH THE FLANGE PLATE INTO THE WRAPPED UNISTRUT AT 250mm CENTRES.

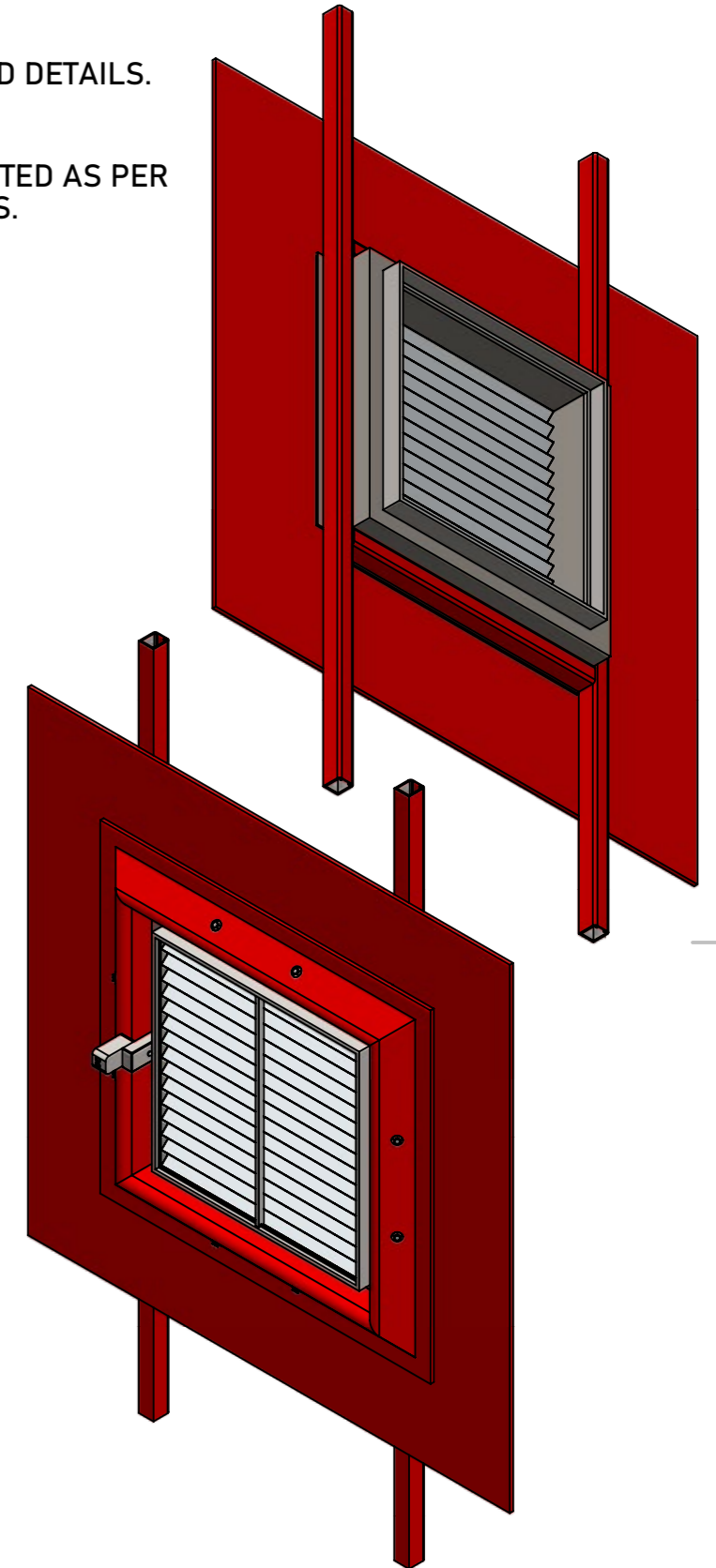
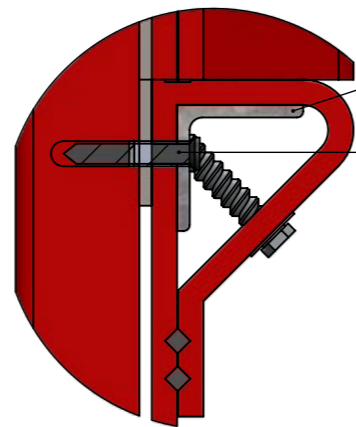
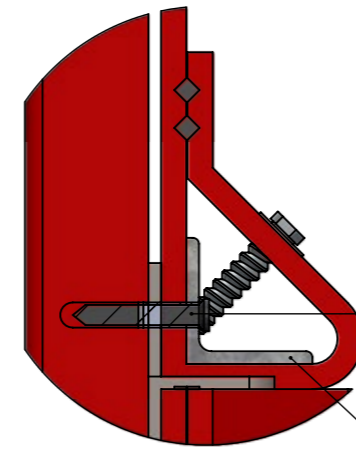
25x25x0.7mm MIN THICK GALVANISED ANGLE.

25x25x0.7mm MIN THICK GALVANISED ANGLE.

FIRE RATED FIXINGS SECURING THE ANGLE THROUGH THE FLANGE PLATE INTO THE WRAPPED UNISTRUT AT 250mm CENTRES.

OTHER DETAILS SAME AS ABOVE.

DETAIL C. TOP FIX (A-002)



APOLLO LITE™ - FIXING TO FIRE DAMPER

TBA PROTECTIVE TECHNOLOGIES LTD

UNIT 3, Transpennine Trading Estate, Gorrells Way  
Rochdale, OL11 2PX, United Kingdom

T: +44 (0)1706 758 817  
E: Technical@TBAFIREFLY.com  
W: www.tbafirefly.com

ARTIST: JC

APPROVED: DA

DATE: 07/12/2022

SCALE: NTS

DRAWING NO:

A - 403

REVISION: 1

IN SEQUENCE: 1/1

ALL RIGHTS RESERVED. NO PARTS OF THIS DRAWING MAY BE USED REPRODUCED, ALTERED, STORED IN A RETRIEVAL SYSTEM OR TRANSMITTED IN ANY FORM OR BY ANY MEANS WITHOUT THE PRIOR WRITTEN PERMISSION OF TBA PROTECTIVE TECHNOLOGIES LTD. WHILST EVERY EFFORT HAS BEEN MADE TO COMPLY WITH THE CURRENT STATUTORY REGULATIONS, IT IS THE USER'S RESPONSIBILITY TO ENSURE THAT THE FINAL DETAILING AND INSTALLATION MEETS THE REQUIREMENTS OF RELEVANT REGULATORY AUTHORITY (OFTEN BUILDING CONTROL). PLEASE CHECK [www.tbafirefly.com](http://www.tbafirefly.com) TO ENSURE THAT YOU ARE USING THE CORRECT AND CURRENT VERSION. COPYRIGHT 2022

