



DO NOT SCALE. IF IN DOUBT ASK!

D

C

B

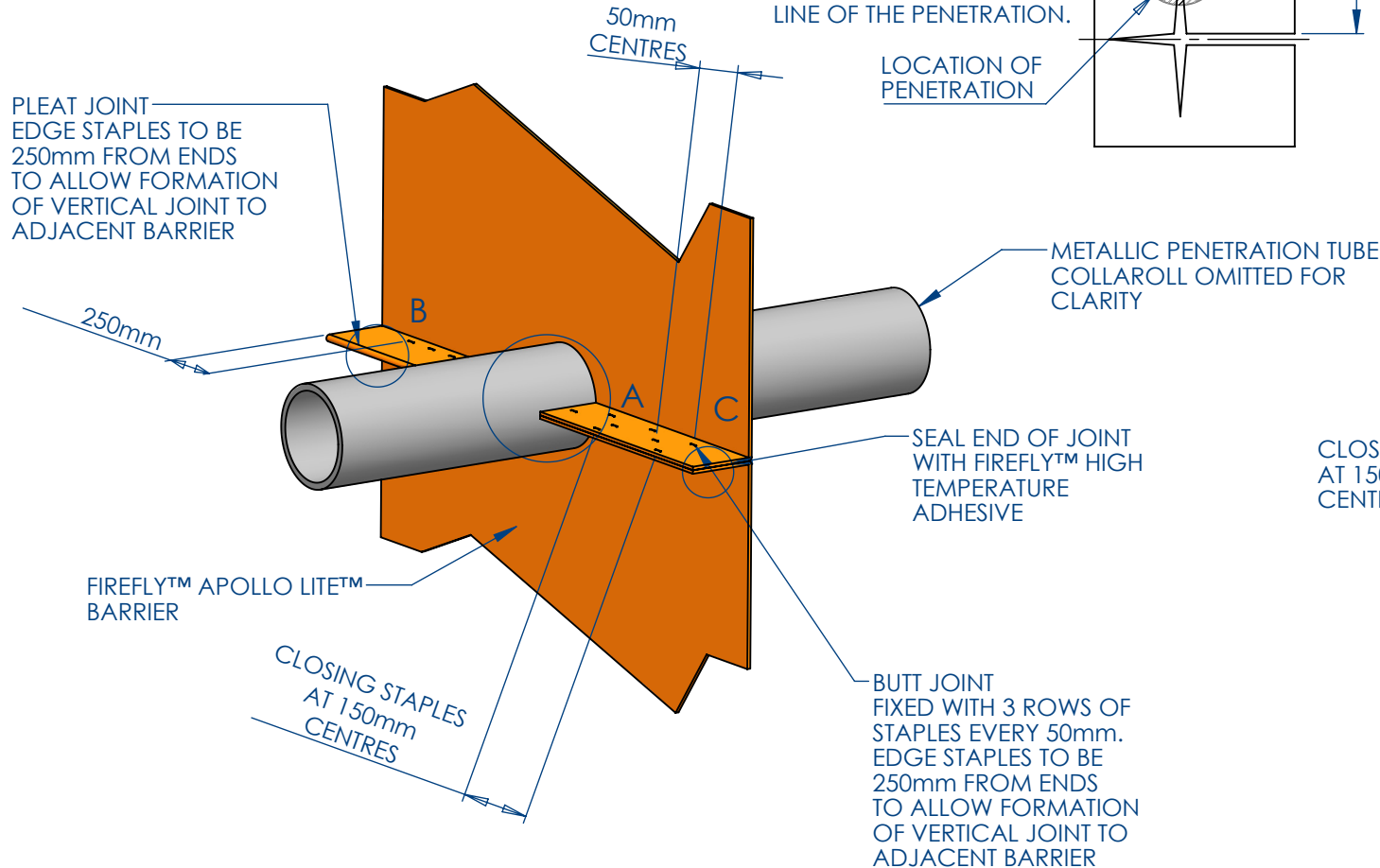
A

D

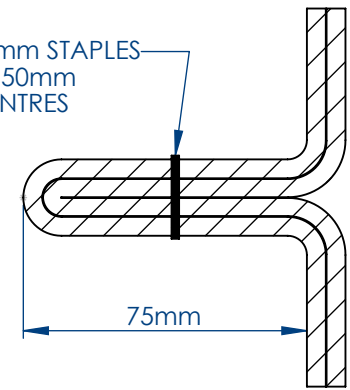
C

B

A



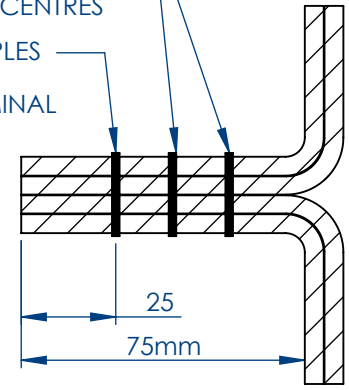
12mm STAPLES AT 50mm CENTRES



**DETAIL 'B' - PLEAT JOINT**

2 ROWS OF 12mm STAPLES STAGGERED AT 50mm CENTRES

CLOSING STAPLES AT 150mm CENTRES NOMINAL



**DETAIL 'C' - BUTT JOINT**

ALL RIGHTS RESERVED. NO PART OF THIS DRAWING MAY BE USED, REPRODUCED, ALTERED, STORED IN A RETRIEVAL SYSTEM OR TRANSMITTED IN ANY FORM OR BY ANY MEANS WITHOUT THE PRIOR WRITTEN PERMISSION OF TBA PROTECTIVE TECHNOLOGIES LTD. WHILE EVERY EFFORT HAS BEEN MADE TO COMPLY WITH THE CURRENT STATUTORY REGULATIONS, IT IS THE USER'S RESPONSIBILITY TO ENSURE THAT THE FINAL DETAILING AND INSTALLATION MEETS THE REQUIREMENTS OF RELEVANT REGULATORY AUTHORITY (OFTEN BUILDING CONTROL). PLEASE CHECK [www.tbafirefly.com](http://www.tbafirefly.com) TO ENSURE THAT YOU ARE USING THE CORRECT AND CURRENT VERSION. COPYRIGHT 2019

TBA Protective Technologies Ltd  
 Unit 3, Transpennine Trading Estate  
 Gorrells Way, Rochdale, OL11 2PX  
 United Kingdom  
 T: +44 (0)1706 758 817  
 E: [technical@tbafirefly.com](mailto:technical@tbafirefly.com)  
 W: [www.tbafirefly.com](http://www.tbafirefly.com)



Drawn By: RJ  
 Approved By: MPR  
 Scale: NTS  
 Date: 26/02/2020

Title: FIREFLY™ APOLLO LITET™ BUTT & PLEAT JOINT  
 Drawing No. A/010  
 Rev: 1

1

2

3

4