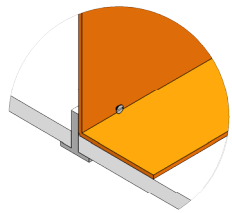




DO NOT SCALE. IF IN DOUBT ASK!

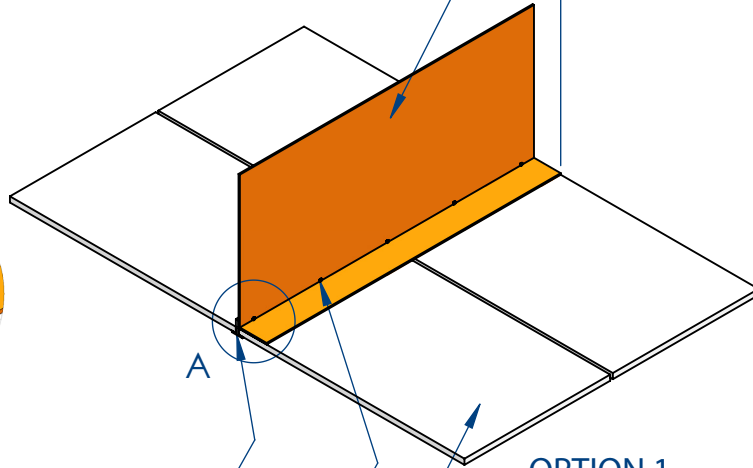


DETAIL A

SUSPENDED CEILING T-SECTION

FIX FIREFLY™ TO T-SECTION AT 250mm MAXIMUM CENTRES USING SUITABLE FIRE RATED FIXINGS

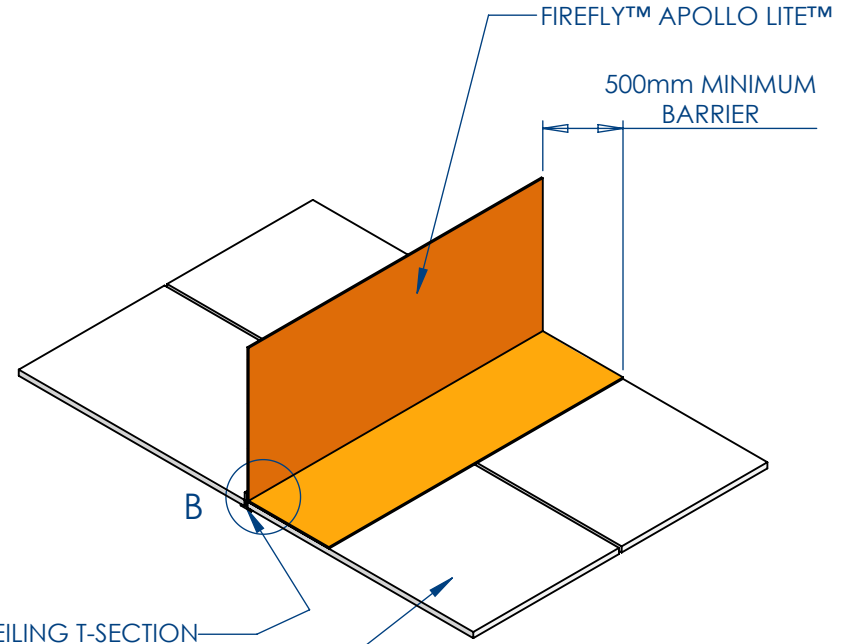
CEILING TILE



OPTION 1

FIREFLY™ APOLLO LITETM

150mm MINIMUM OVERLAP



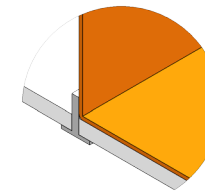
OPTION 2

FIREFLY™ APOLLO LITETM

500mm MINIMUM BARRIER

SUSPENDED CEILING T-SECTION

CEILING TILE



DETAIL B

ALL RIGHTS RESERVED. NO PART OF THIS DRAWING MAY BE USED, REPRODUCED, ALTERED, STORED IN A RETRIEVAL SYSTEM OR TRANSMITTED IN ANY FORM OR BY ANY MEANS WITHOUT THE PRIOR WRITTEN PERMISSION OF TBA PROTECTIVE TECHNOLOGIES LTD. WHILST EVERY EFFORT HAS BEEN MADE TO COMPLY WITH THE CURRENT STATUTORY REGULATIONS, IT IS THE USER'S RESPONSIBILITY TO ENSURE THAT THE FINAL DETAILING AND INSTALLATION MEETS THE REQUIREMENTS OF RELEVANT REGULATORY AUTHORITY (OFTEN BUILDING CONTROL). PLEASE CHECK www.tbafirefly.com TO ENSURE THAT YOU ARE USING THE CORRECT AND CURRENT VERSION. COPYRIGHT 2019

TBA Protective Technologies Ltd
 Unit 3, Transpennine Trading Estate
 Gorrells Way, Rochdale, OL11 2PX
 United Kingdom
 T: +44 (0)1706 758 817
 E: technical@tbafirefly.com
 W: www.tbafirefly.com



Drawn By: RJ

Approved By: MPR

Scale: NTS

Date: 24/02/2020

Title: FIREFLY™ APOLLO LITETM
 BOTTOM FIX -
 SUSPENDED CEILING

Drawing No.

A/014

Rev:

1