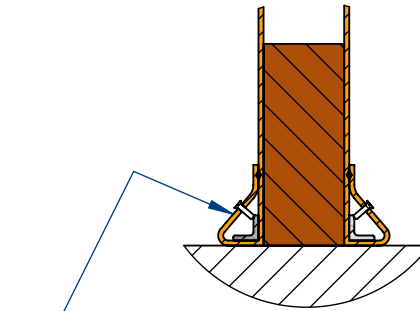
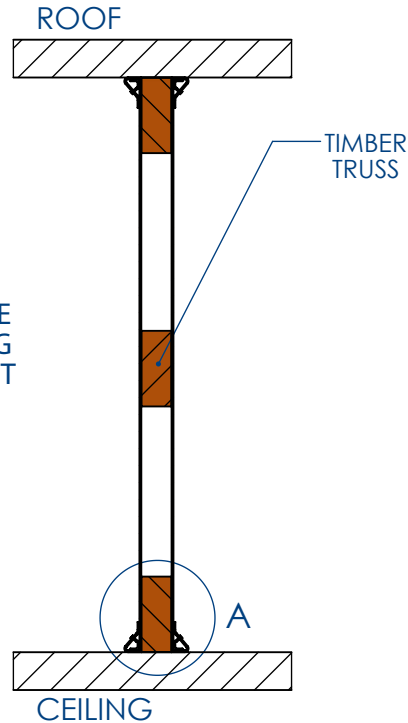




DO NOT SCALE. IF IN DOUBT ASK!

FIREFLY™ BARRIER CAN BE FIXED EITHER SIDE OF THE TRUSSES, ENSURING THAT ALL RELEVANT OVERLAPS AND FIXINGS ARE ADHERED TO.



100mm OVERLAP TO BE RETURNED OVER TO COVER THE CLAMPING PLATE FIXED WITH FIRE RATED FIXING AT 250mm (MIN) CENTRES AND SEALED WITH A BEAD OF FIREFLY™ HTA WHERE THE RETURN MEETS THE BARRIER.

DETAIL 'A'

ALL RIGHTS RESERVED. NO PART OF THIS DRAWING MAY BE USED, REPRODUCED, ALTERED, STORED IN A RETRIEVAL SYSTEM OR TRANSMITTED IN ANY FORM OR BY ANY MEANS WITHOUT THE PRIOR WRITTEN PERMISSION OF TBA PROTECTIVE TECHNOLOGIES LTD. WHILST EVERY EFFORT HAS BEEN MADE TO COMPLY WITH THE CURRENT STATUTORY REGULATIONS, IT IS THE USER'S RESPONSIBILITY TO ENSURE THAT THE FINAL DETAILING AND INSTALLATION MEETS THE REQUIREMENTS OF RELEVANT REGULATORY AUTHORITY (OFTEN BUILDING CONTROL). PLEASE CHECK www.tbafirefly.com TO ENSURE THAT YOU ARE USING THE CORRECT AND CURRENT VERSION. COPYRIGHT 2019

TBA Protective Technologies Ltd
 Unit 3, Transpennine Trading Estate
 Gorrells Way, Rochdale, OL11 2PX
 United Kingdom
 T: +44 (0)1706 758 817
 E: technical@tbafirefly.com
 W: www.tbafirefly.com



Drawn By: RJ

Approved By: MPR

Scale: NTS

Date: 16/05/20

Title: FIREFLY™ APOLLO LITETM
 TIMBER TRUSS WRAPPED

Drawing No.

A/020

Rev:

1