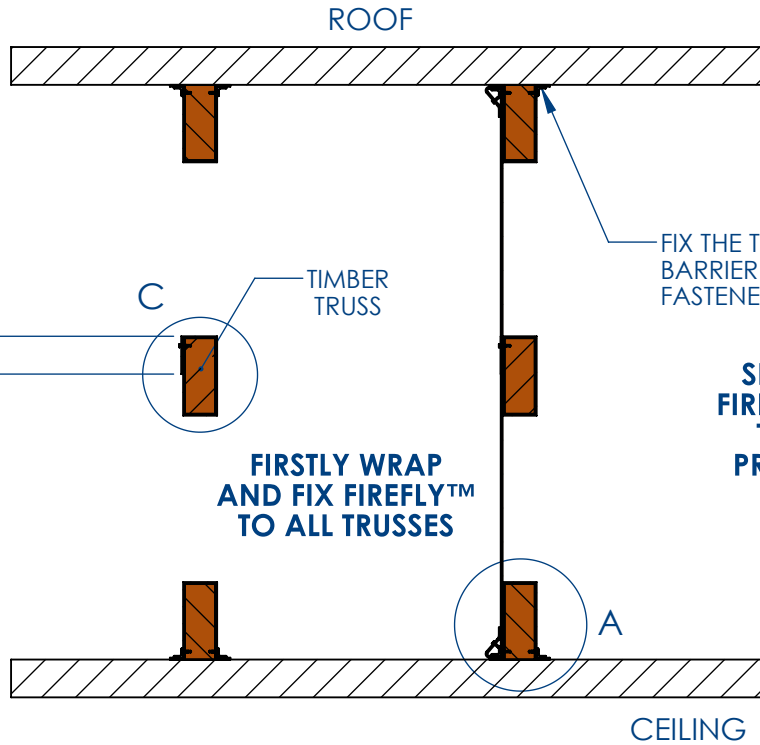




DO NOT SCALE. IF IN DOUBT ASK!

100mm MINIMUM OVERLAP



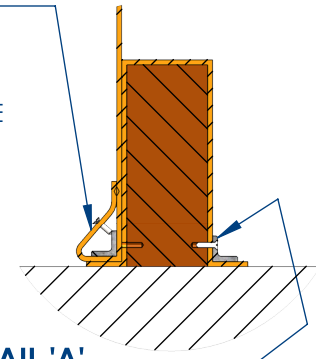
FIRSTLY WRAP AND FIX FIREFLY™ TO ALL TRUSSES

FIX THE TRUSS WRAP ON THE BARRIER SIDE WITH FIRE RATED FASTENERS AT 250mm CENTRES.

SECONDLY FIX FIREFLY™ BARRIER TO ALREADY PROTECTED TOP & BOTTOM TRUSSES

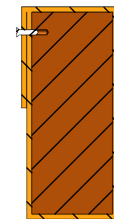
100mm OVERLAP TO BE RETURNED OVER TO COVER THE CLAMPING PLATE FIXED WITH FIRE RATED FIXING AT 250mm (MIN) CENTRES AND SEALED WITH A BEAD OF HIGH TEMPERATURE ADHESIVE WHERE THE RETURN MEETS THE BARRIER.

DETAIL 'A'



FIREFLY™ CLAMPED WITH 25x25x0.7mm MIN THICK GALV ANGLE AT 250mm (MIN) CENTRES INTO THE TIMBER TRUSS.

DETAIL 'C'



ALL RIGHTS RESERVED. NO PART OF THIS DRAWING MAY BE USED, REPRODUCED, ALTERED, STORED IN A RETRIEVAL SYSTEM OR TRANSMITTED IN ANY FORM OR BY ANY MEANS WITHOUT THE PRIOR WRITTEN PERMISSION OF TBA PROTECTIVE TECHNOLOGIES LTD. WHILST EVERY EFFORT HAS BEEN MADE TO COMPLY WITH THE CURRENT STATUTORY REGULATIONS, IT IS THE USER'S RESPONSIBILITY TO ENSURE THAT THE FINAL DETAILING AND INSTALLATION MEETS THE REQUIREMENTS OF RELEVANT REGULATORY AUTHORITY (OFTEN BUILDING CONTROL). PLEASE CHECK www.tbafirefly.com TO ENSURE THAT YOU ARE USING THE CORRECT AND CURRENT VERSION. COPYRIGHT 2019

TBA Protective Technologies Ltd
Unit 3, Transpennine Trading Estate
Gorrells Way, Rochdale, OL11 2PX
United Kingdom
T: +44 (0)1706 758 817
E: technical@tbafirefly.com
W: www.tbafirefly.com



Drawn By: RJ

Approved By: MPR

Scale: NTS

Date: 16/05/20

Title: FIREFLY™. APOLLO LITE™ WOODEN TRUSS WRAPPED

Drawing No.

A/021

Rev:

1