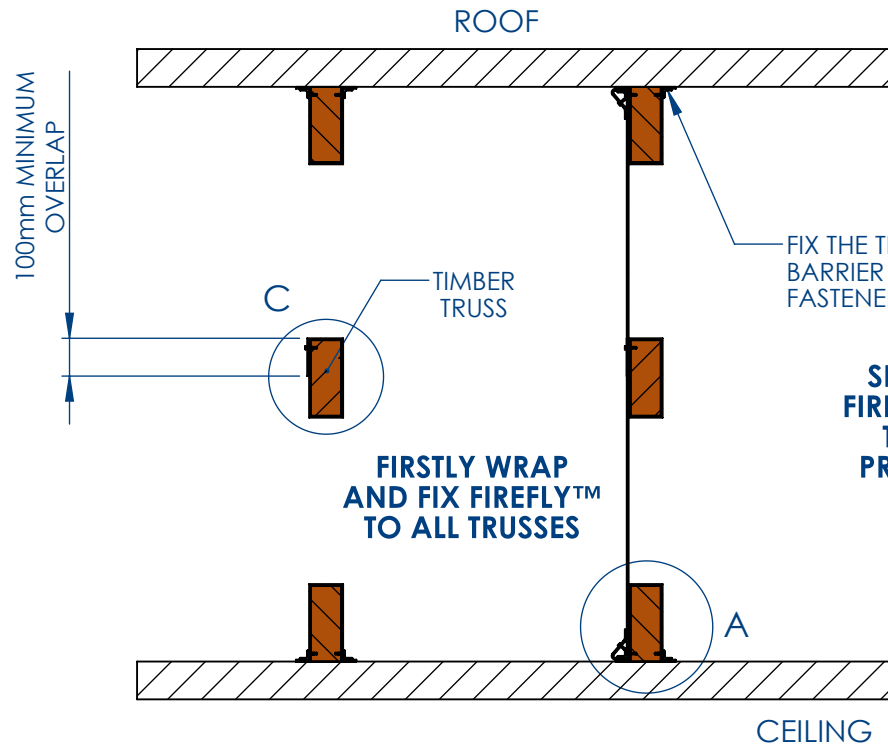


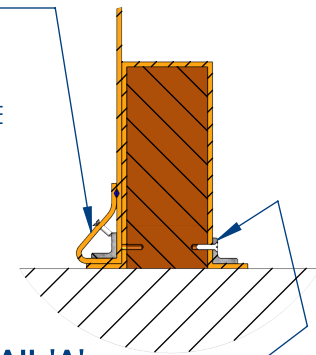


DO NOT SCALE. IF IN DOUBT ASK!



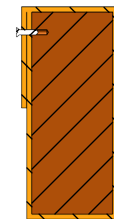
100mm OVERLAP TO BE RETURNED OVER TO COVER THE CLAMPING PLATE FIXED WITH FIRE RATED FIXING AT 250mm (MIN) CENTRES AND SEALED WITH A BEAD OF HIGH TEMPERATURE ADHESIVE WHERE THE RETURN MEETS THE BARRIER.

DETAIL 'A'



FIREFLY™ CLAMPED WITH 25x25x0.7mm MIN THICK GALV ANGLE AT 250mm (MIN) CENTRES INTO THE TIMBER TRUSS.

DETAIL 'C'



FIRSTLY WRAP AND FIX FIREFLY™ TO ALL TRUSSES

SECONDLY FIX FIREFLY™ BARRIER TO ALREADY PROTECTED TOP & BOTTOM TRUSSES

CEILING

METHOD 'B'

ALL RIGHTS RESERVED. NO PART OF THIS DRAWING MAY BE USED, REPRODUCED, ALTERED, STORED IN A RETRIEVAL SYSTEM OR TRANSMITTED IN ANY FORM OR BY ANY MEANS WITHOUT THE PRIOR WRITTEN PERMISSION OF TBA PROTECTIVE TECHNOLOGIES LTD. WHILST EVERY EFFORT HAS BEEN MADE TO COMPLY WITH THE CURRENT STATUTORY REGULATIONS, IT IS THE USER'S RESPONSIBILITY TO ENSURE THAT THE FINAL DETAILING AND INSTALLATION MEETS THE REQUIREMENTS OF RELEVANT REGULATORY AUTHORITY (OFTEN BUILDING CONTROL). PLEASE CHECK [www.tbafirefly.com](http://www.tbafirefly.com) TO ENSURE THAT YOU ARE USING THE CORRECT AND CURRENT VERSION. COPYRIGHT 2019

TBA Protective Technologies Ltd  
 Unit 3, Transpennine Trading Estate  
 Gorrells Way, Rochdale, OL11 2PX  
 United Kingdom  
 T: +44 (0)1706 758 817  
 E: [technical@tbafirefly.com](mailto:technical@tbafirefly.com)  
 W: [www.tbafirefly.com](http://www.tbafirefly.com)



Drawn By: RJ

Approved By: MPR

Scale: NTS

Date: 06/06/20

Title: FIREFLY™. ZEUS LITE™  
 WOODEN TRUSS WRAPPED

Drawing No. Z/021

Rev: 1