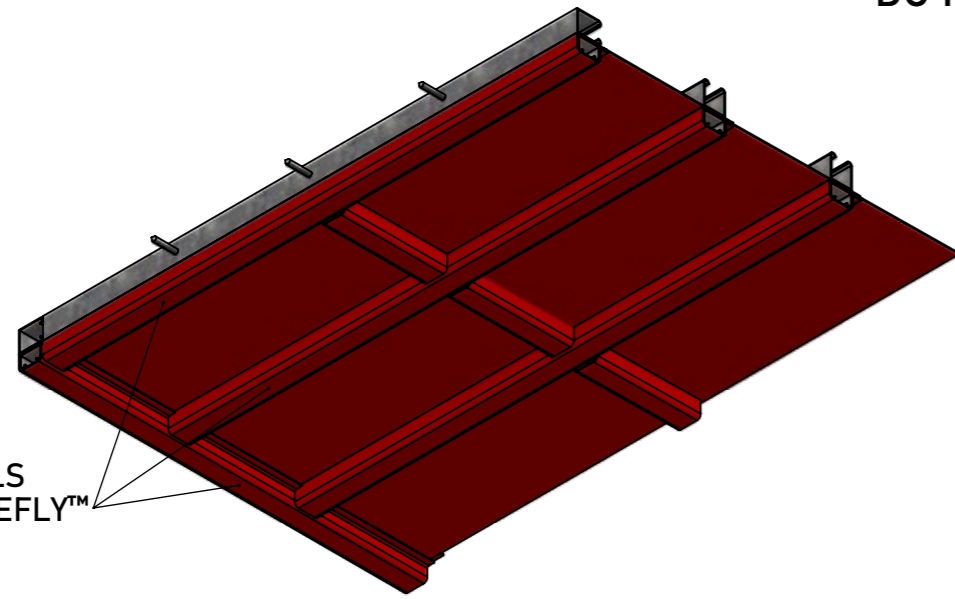


DO NOT SCALE. IF IN DOUBT ASK!

JOINING UNISTRUTS

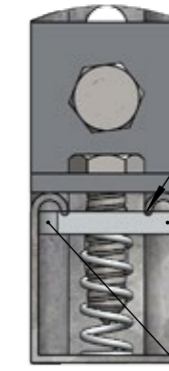
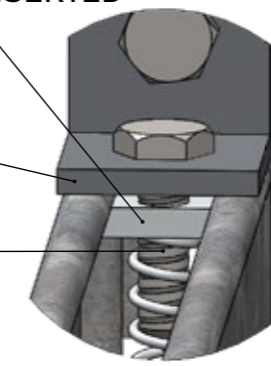


UNISTRUT CHANNELS WRAPPED WITH FIREFLY™ BARRIER.

UNISTRUT CHANNEL NUT WITH SPRING INSERTED FIRST AND ROTATED TO LOCK POSITION.

UNISTRUT MOUNTING BRACKET.

HEX BOLT SECURING THE MOUNTING BRACKET TO THE NUT.



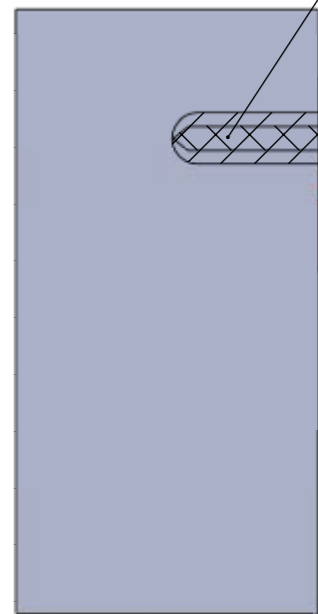
THE LIP OF THE UNISTRUT SLOTS INTO THE GROOVE OF THE NUT ANCHORING IT IN PLACE.

LOCKING THE NUT WILL STABILIZE THE FIXING AND STRENGTHENS THE STRUCTURAL INTEGRITY OF THE UNISTRUT.

CURVED EDGE ALLOWS FOR EASIER ROTATION.

FIRE RATED FIXINGS SECURING THE EXPOSED CHANNEL TO THE WALL AT 500mm CENTRES OR AS REQUIRED TO SUPPORT LOAD.

FIRE RATED FIXINGS SECURING THE LOWER CHANNEL TO THE EXPOSED CHANNEL AT 500mm CENTRES.



JOINED HORIZONTALLY BY UNISTRUT FRAMEWORK.

JOINED HORIZONTALLY BY UNISTRUT FRAMEWORK.

150mm OVERLAP OF FIREFLY™ BARRIER.

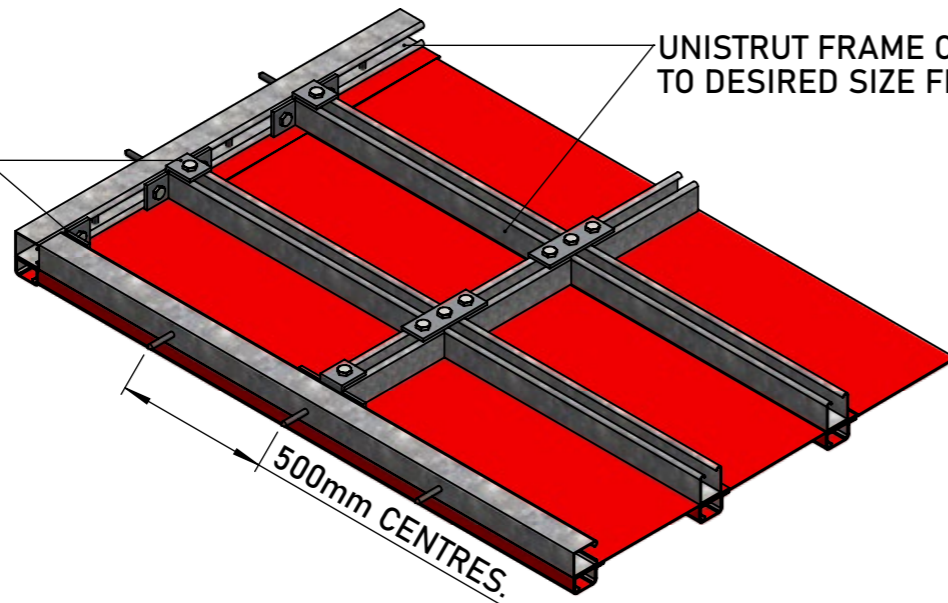
FIREFLY™ BARRIER.

2 BEADS OF FIREFLY™ HIGH TEMPERATURE ADHESIVE SEALING THE BARRIER IN PLACE.

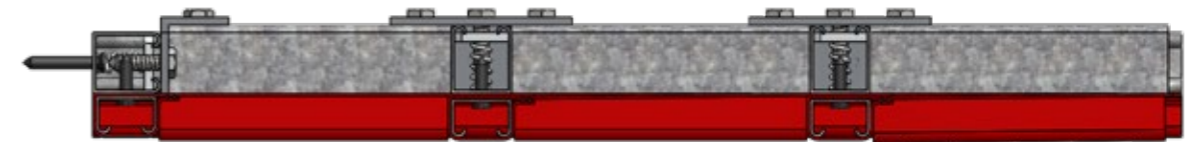
SHALLOW CHANNEL CLAMPS THE BARRIER IN PLACE BEFORE BEING WRAPPED WITH THE BARRIER.

UNISTRUT FRAME CONSTRUCTED TO DESIRED SIZE FIRST.

UNISTRUT FRAMEWORK JOINED TOGETHER WITH MOUNTING BRACKETS.



500mm CENTRES.



PHOENIX™ HORIZONTAL - CHANNEL EDGE FIX

TBA PROTECTIVE TECHNOLOGIES LTD

ARTIST: JC

DRAWING NO:

UNIT 3, Transpennine Trading Estate, Gorrells Way  
Rochdale, OL11 2PX, United Kingdom

APPROVED: DA

PH - 103

T: +44 (0)1706 758 817  
E: Technical@TBAFIREFLY.com  
W: www.tbafirefly.com

DATE: 07/12/2022

REVISION: 1

SCALE: NTS

IN SEQUENCE: 1/1

ALL RIGHTS RESERVED. NO PARTS OF THIS DRAWING MAY BE USED REPRODUCED, ALTERED, STORED IN A RETRIEVAL SYSTEM OR TRANSMITTED IN ANY FORM OR BY ANY MEANS WITHOUT THE PRIOR WRITTEN PERMISSION OF TBA PROTECTIVE TECHNOLOGIES LTD. WHILST EVERY EFFORT HAS BEEN MADE TO COMPLY WITH THE CURRENT STATUTORY REGULATIONS, IT IS THE USER'S RESPONSIBILITY TO ENSURE THAT THE FINAL DETAILING AND INSTALLATION MEETS THE REQUIREMENTS OF RELEVANT REGULATORY AUTHORITY (OFTEN BUILDING CONTROL). PLEASE CHECK [www.tbafirefly.com](http://www.tbafirefly.com) TO ENSURE THAT YOU ARE USING THE CORRECT AND CURRENT VERSION. COPYRIGHT 2022

