

DO NOT SCALE. IF IN DOUBT ASK!

IF TRUSSED RAFTERS BRIDGE THE WALL, FAILURE IN ONE COMPARTMENT SHOULD NOT CAUSE FAILURE OF THE TRUSS IN ANOTHER COMPARTMENT.

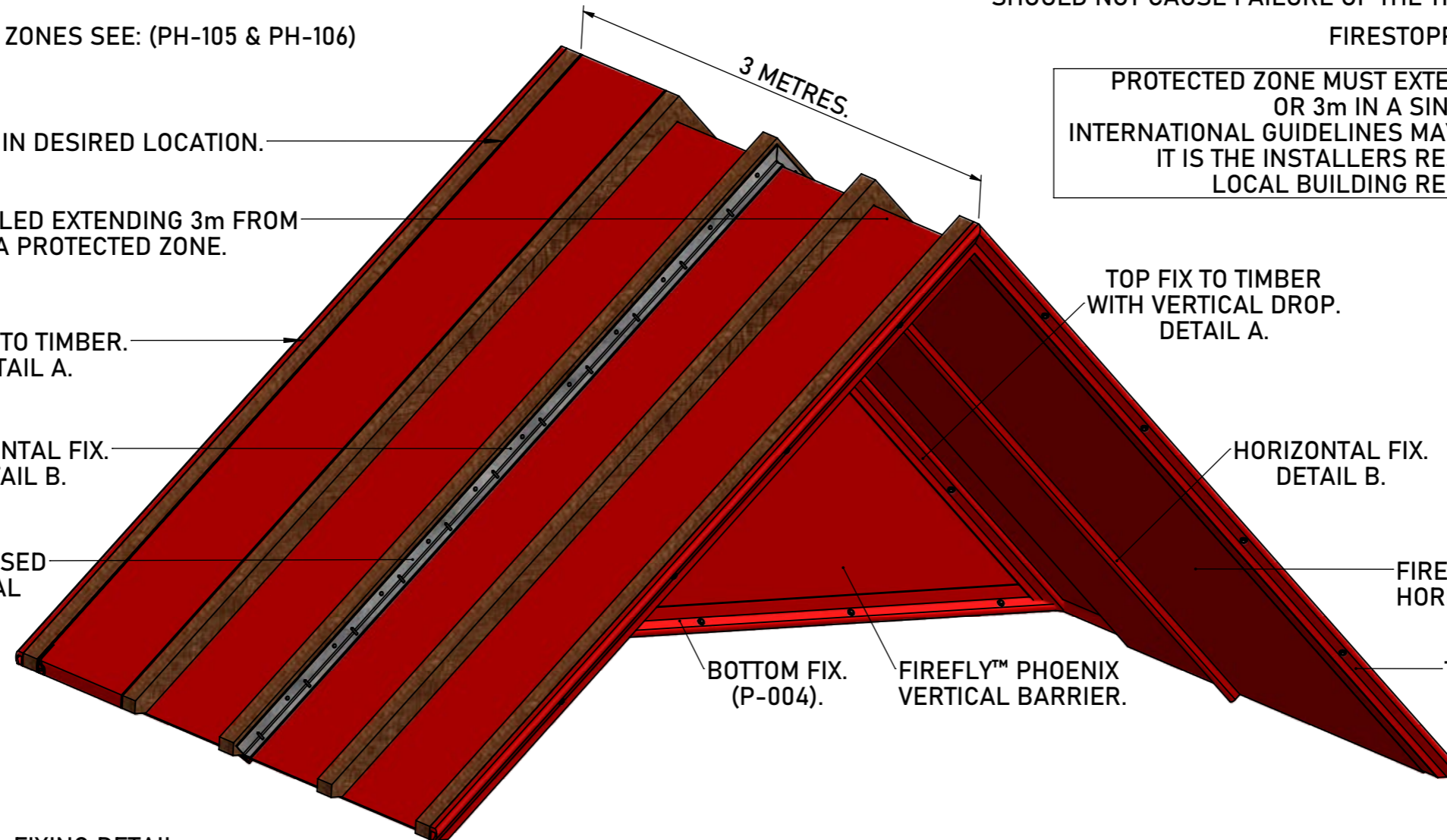
FIRESTOPPING MUST EXTEND TO ANY EAVES.

FOR MORE DETAILS ON PROTECTED ZONES SEE: (PH-105 & PH-106)

PROTECTED ZONE MUST EXTEND 1.5m IN BOTH DIRECTIONS OR 3m IN A SINGLE DIRECTION. INTERNATIONAL GUIDELINES MAY DIFFER ON PROTECTED ZONES. IT IS THE INSTALLERS RESPONSIBILITY TO ENSURE LOCAL BUILDING REGULATIONS ARE MET.

A VERTICAL BARRIER IS INSTALLED IN DESIRED LOCATION. (END TRUSS IN THIS EXAMPLE).

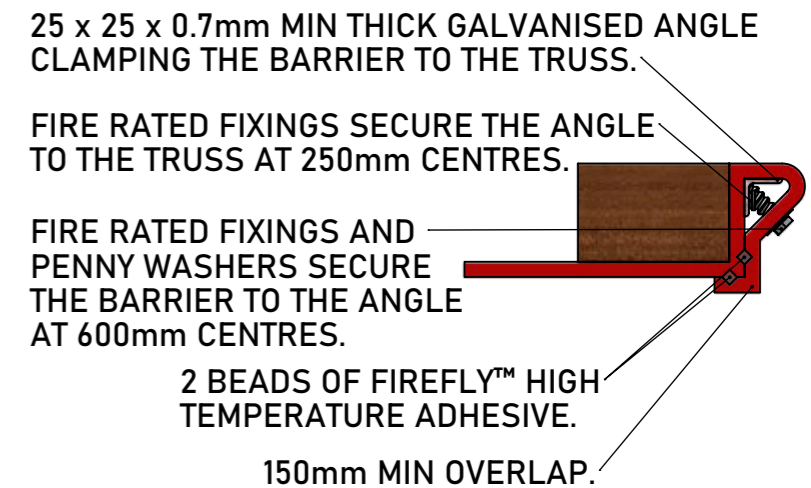
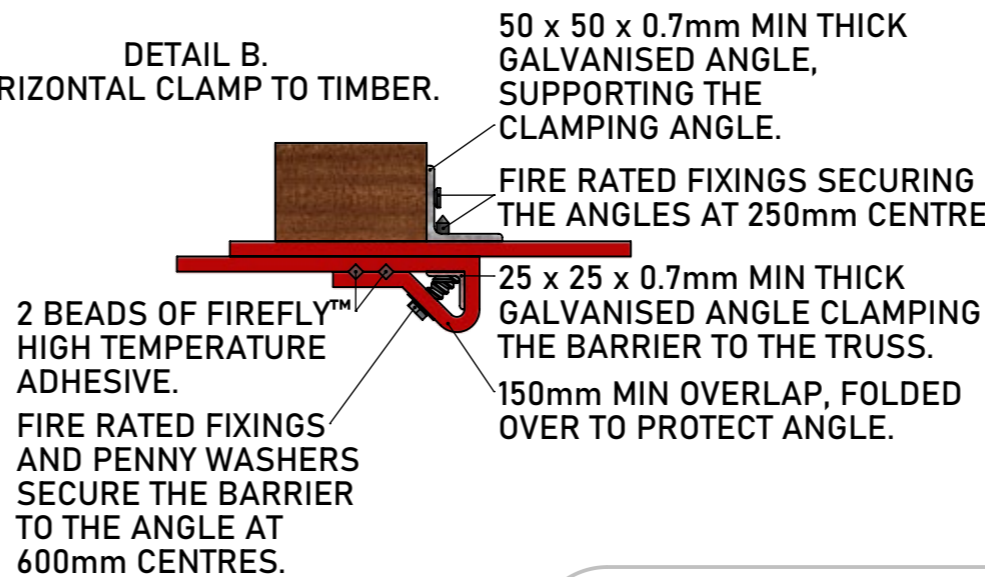
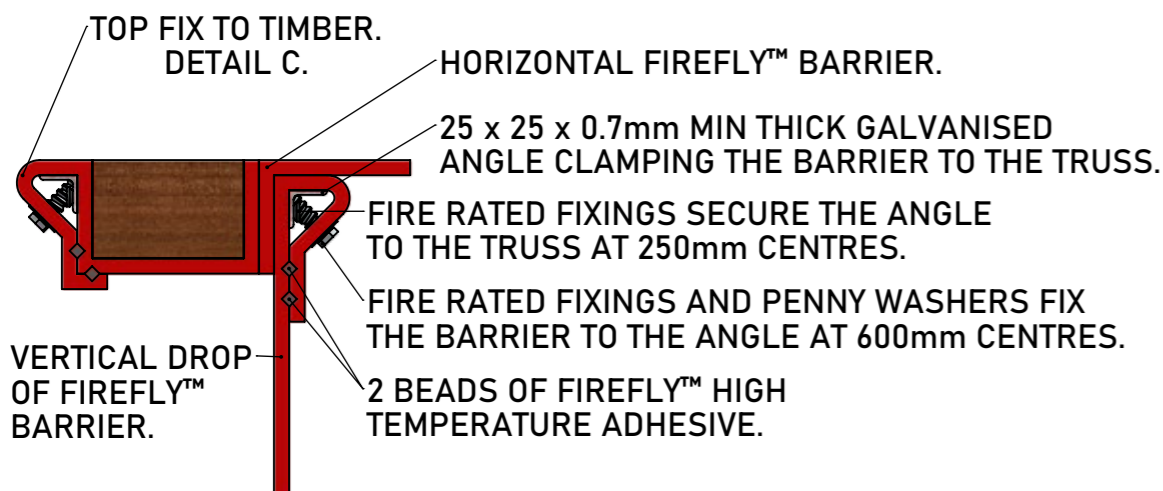
HORIZONTAL BARRIERS ARE INSTALLED EXTENDING 3m FROM THE VERTICAL BARRIER TO CREATE A PROTECTED ZONE.



DETAIL A. TOP FIX TO TIMBER. VERTICAL BARRIER AND HORIZONTAL FIXING DETAIL.

DETAIL B. HORIZONTAL CLAMP TO TIMBER.

DETAIL C. TOP FIX TO TIMBER.



PHOENIX HORIZONTAL™ - RESTRICTED ACCESS PITCHED PROTECTED ZONE

TBA PROTECTIVE TECHNOLOGIES LTD

ARTIST: JC

DRAWING NO:

UNIT 3, Transpennine Trading Estate, Gorrells Way
Rochdale, OL11 2PX, United Kingdom

APPROVED: DA

PH - 108

T: +44 (0)1706 758 817
E: Technical@TBAFIREFLY.com
W: www.tbafirefly.com

DATE: 25/01/2023

REVISION: 1

SCALE: NTS

IN SEQUENCE: 1/1

ALL RIGHTS RESERVED. NO PARTS OF THIS DRAWING MAY BE USED REPRODUCED, ALTERED, STORED IN A RETRIEVAL SYSTEM OR TRANSMITTED IN ANY FORM OR BY ANY MEANS WITHOUT THE PRIOR WRITTEN PERMISSION OF TBA PROTECTIVE TECHNOLOGIES LTD. WHILST EVERY EFFORT HAS BEEN MADE TO COMPLY WITH THE CURRENT STATUTORY REGULATIONS, IT IS THE USER'S RESPONSIBILITY TO ENSURE THAT THE FINAL DETAILING AND INSTALLATION MEETS THE REQUIREMENTS OF RELEVANT REGULATORY AUTHORITY (OFTEN BUILDING CONTROL). PLEASE CHECK www.tbafirefly.com TO ENSURE THAT YOU ARE USING THE CORRECT AND CURRENT VERSION. COPYRIGHT 2022

