

DO NOT SCALE. IF IN DOUBT ASK!

150mm MIN OF FIREFLY™ BARRIER FOLDED BACK ON ITSELF TO COVER ANGLE.

FIREFLY™ COLLAROLL IS TIGHTLY WRAPPED AROUND PENETRATION BEFORE BEING FIXED TO ITSELF WITH 8mm STAPLES AT 80mm CENTRES.

FIRE RATED FIXING AND PENNY WASHERS SECURING THE BARRIER TO THE ANGLE AT 600mm CENTRES.

FIREFLY™ PHOENIX™ USES A FOLDED JOINT SYSTEM FOR ALL BARRIER TO BARRIER JOINTS. FOR MORE INFORMATION SEE P-005 & P-006.

FIRE RATED FIXINGS SECURING THE ANGLE TO TOP FIX AT 250mm CENTRES.

25mm x 25mm x 0.7mm MIN THICK CONTINUOUS GALVANISED ANGLE.

2 BEADS OF FIREFLY™ HIGH TEMPERATURE ADHESIVE SECURING THE BARRIER TO ITSELF.

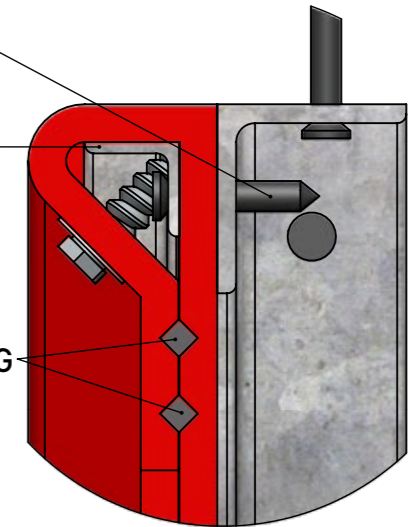
METALLIC PENETRATION.

FIREFLY™ COLLAROLL FLANGE SECURED FLUSH TO THE BARRIER WITH 2 BEADS OF FIREFLY™ HIGH TEMPERATURE ADHESIVE.

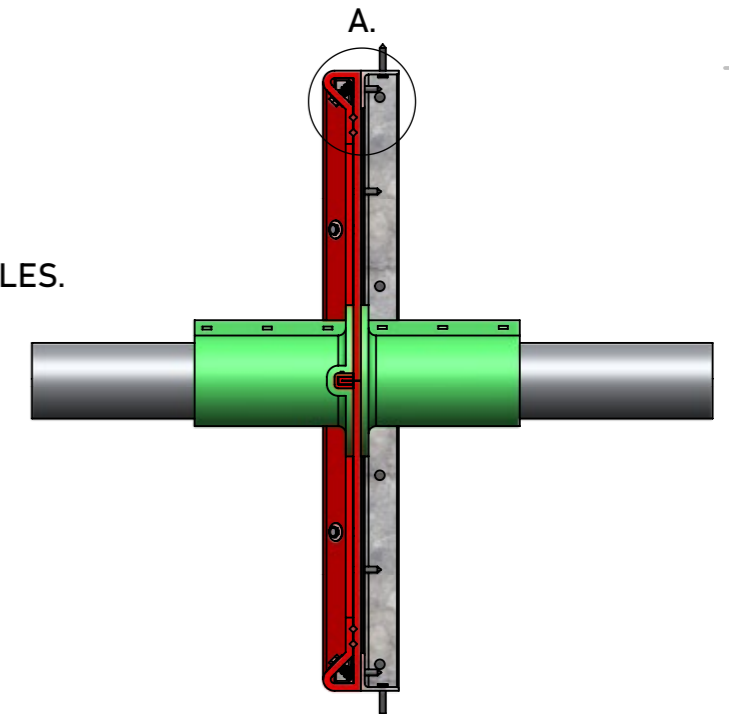
FIREFLY™ COLLAROLL WRAPPED AROUND JOINT AND SEALED WITH HTA AND 8mm STAPLES AS REQUIRED.

FOLDED HORIZONTAL JOINT. A 50mm TAIL IS STAPLED AT 500mm CENTRES BEFORE BEING FOLDED OVER ON ITSELF AND STAPLED AT 100mm CENTRES WITH 8mm STAPLES. (P-005 & P-006).

150mm MIN OF FIREFLY™ BARRIER FOLDED BACK ON ITSELF TO COVER ANGLE.



DETAIL A.  
TOP FIX.  
P-002



## PHOENIX™ - GENERAL ASSEMBLY

TBA PROTECTIVE TECHNOLOGIES LTD

UNIT 3, Transpennine Trading Estate, Gorrells Way  
Rochdale, OL11 2PX, United Kingdom

T: +44 (0)1706 758 817  
E: Technical@TBAFIREFLY.com  
W: www.tbafirefly.com

ARTIST: JC

APPROVED: DA

DATE: 07/12/2022

SCALE: NTS

DRAWING NO:

P - 001

REVISION: 1

IN SEQUENCE: 1/1

ALL RIGHTS RESERVED. NO PARTS OF THIS DRAWING MAY BE USED REPRODUCED, ALTERED, STORED IN A RETRIEVAL SYSTEM OR TRANSMITTED IN ANY FORM OR BY ANY MEANS WITHOUT THE PRIOR WRITTEN PERMISSION OF TBA PROTECTIVE TECHNOLOGIES LTD. WHILST EVERY EFFORT HAS BEEN MADE TO COMPLY WITH THE CURRENT STATUTORY REGULATIONS, IT IS THE USER'S RESPONSIBILITY TO ENSURE THAT THE FINAL DETAILING AND INSTALLATION MEETS THE REQUIREMENTS OF RELEVANT REGULATORY AUTHORITY (OFTEN BUILDING CONTROL). PLEASE CHECK [www.tbafirefly.com](http://www.tbafirefly.com) TO ENSURE THAT YOU ARE USING THE CORRECT AND CURRENT VERSION. COPYRIGHT 2022

