

DO NOT SCALE. IF IN DOUBT ASK!

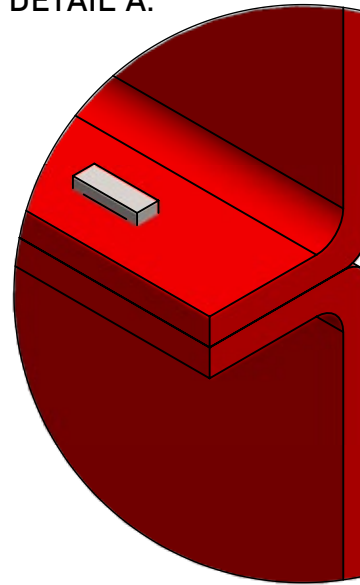
STEP 1.

BRING THE TWO FIREFLY™ SHEETS TOGETHER ENSURING THAT THERE IS A MINIMUM 50mm TAIL.

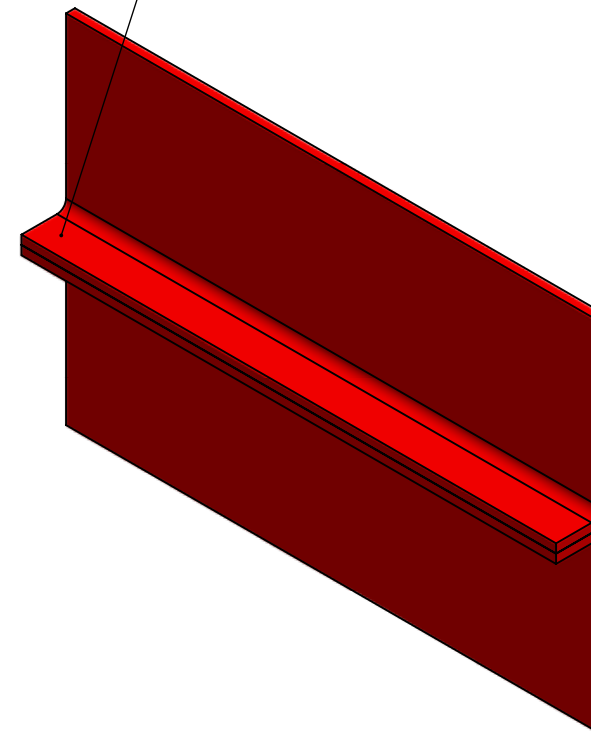
FORM THE JOINT AND STAPLE AT 500mm CENTRES USING 8mm STAPLES.

LAST STAPLES NO CLOSER THAN 50mm TO EDGE.

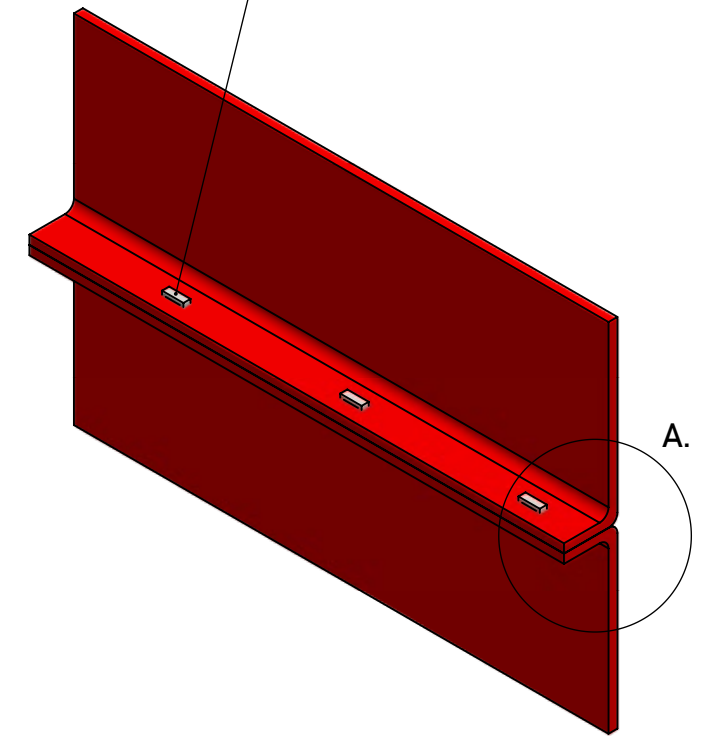
DETAIL A.



50mm MIN TAIL.



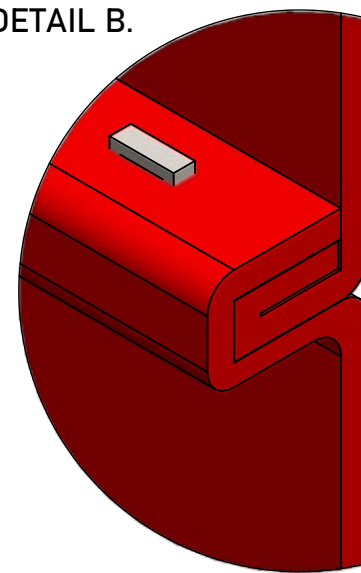
FIXED AT 500mm CENTRES USING 8mm STAPLES.



25mm CONTINUOUS SEAL JOINT.

FIXED AT 100mm CENTRES USING 8mm STAPLES.

DETAIL B.

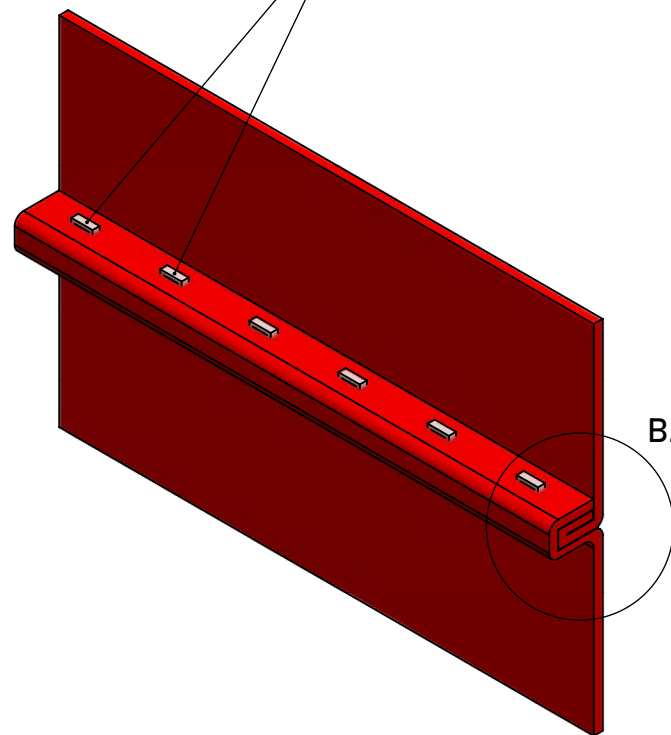
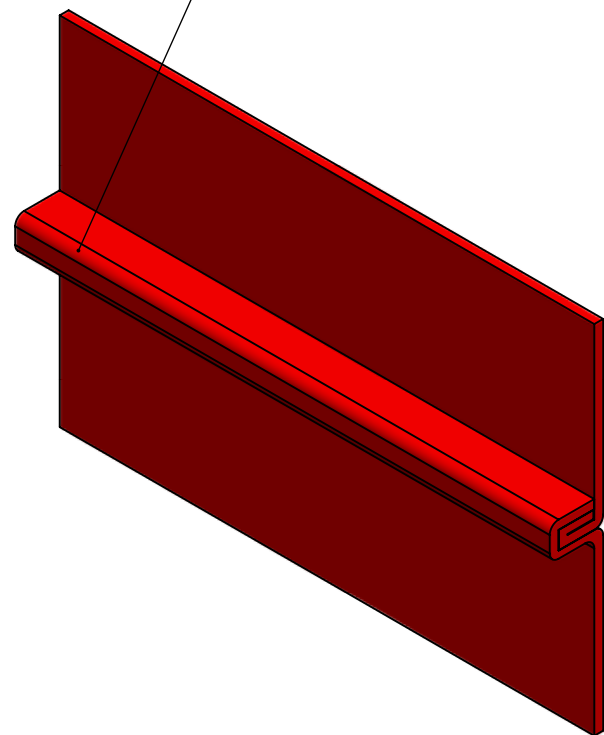


STEP 2.

FOLD THE 50mm FORMED SEAM BACK ON ITSELF TO PRODUCE A 25mm CONTINUOUS SEAL JOINT.

FIX WITH 8mm STAPLES AT 100mm MAXIMUM CENTRES.

LAST STAPLES NO CLOSER THAN 50mm TO EDGE.



PHOENIX™ - FOLDED HORIZONTAL JOINT

TBA PROTECTIVE TECHNOLOGIES LTD

UNIT 3, Transpennine Trading Estate, Gorrells Way
Rochdale, OL11 2PX, United Kingdom

T: +44 (0)1706 758 817
E: Technical@TBAFIREFLY.com
W: www.tbafirefly.com

ARTIST: JC

APPROVED: DA

DATE: 07/12/2022

SCALE: NTS

DRAWING NO:

P - 006

REVISION: 1

IN SEQUENCE: 1/1

ALL RIGHTS RESERVED. NO PARTS OF THIS DRAWING MAY BE USED REPRODUCED, ALTERED, STORED IN A RETRIEVAL SYSTEM OR TRANSMITTED IN ANY FORM OR BY ANY MEANS WITHOUT THE PRIOR WRITTEN PERMISSION OF TBA PROTECTIVE TECHNOLOGIES LTD. WHILST EVERY EFFORT HAS BEEN MADE TO COMPLY WITH THE CURRENT STATUTORY REGULATIONS, IT IS THE USER'S RESPONSIBILITY TO ENSURE THAT THE FINAL DETAILING AND INSTALLATION MEETS THE REQUIREMENTS OF RELEVANT REGULATORY AUTHORITY (OFTEN BUILDING CONTROL). PLEASE CHECK www.tbafirefly.com TO ENSURE THAT YOU ARE USING THE CORRECT AND CURRENT VERSION. COPYRIGHT 2022

