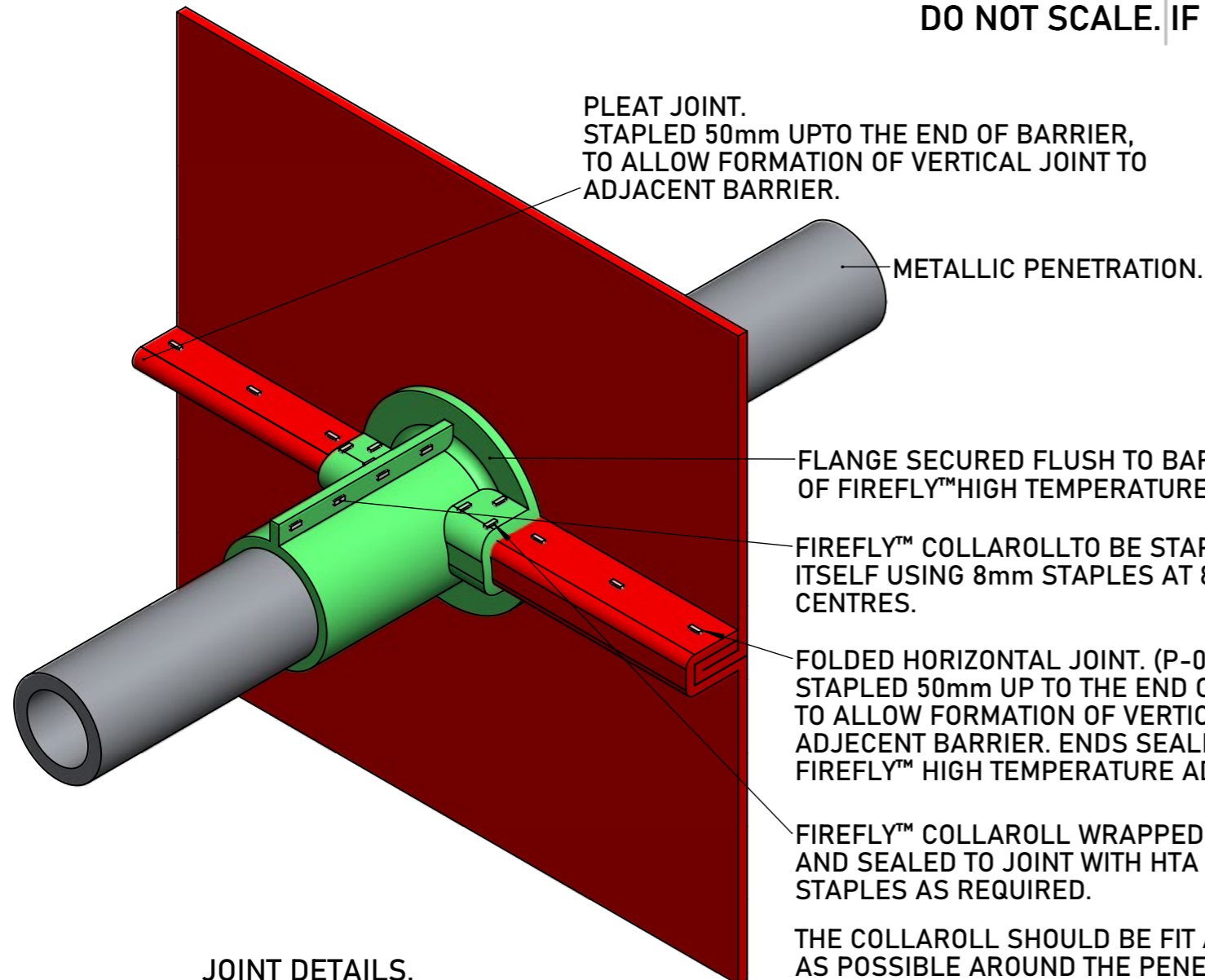
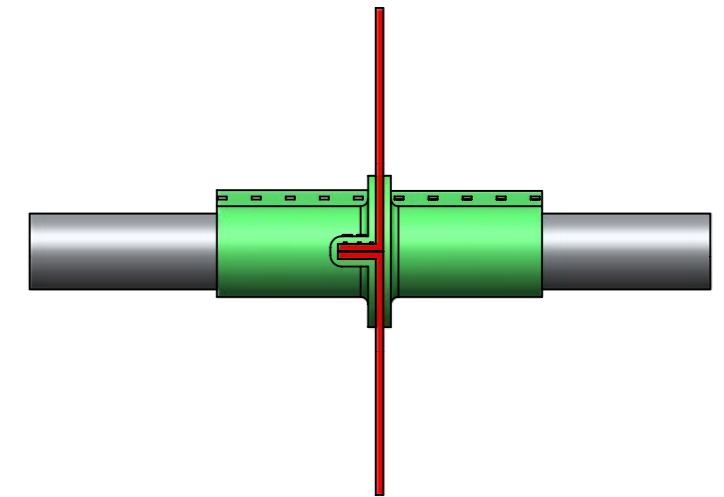
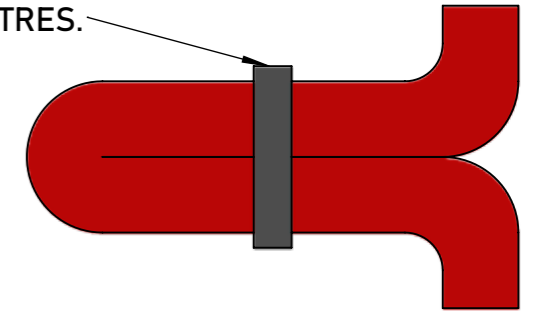


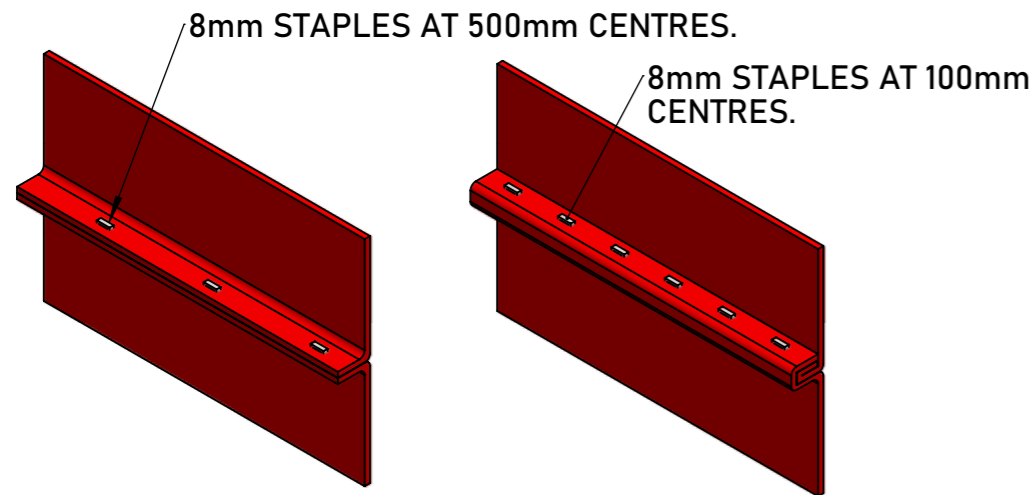
DO NOT SCALE. IF IN DOUBT ASK!



8mm STAPLES AT 100mm CENTRES.  
PLEAT JOINT DETAILS.



JOINT DETAILS.

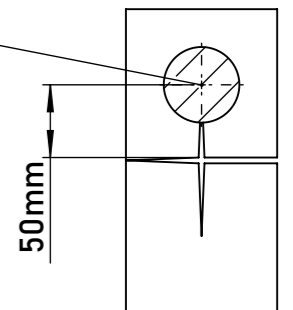


THE BARRIERS ARE BROUGHT TOGETHER AND FIXED FIRST WITH 8mm STAPLES AT 500mm CENTRES BEFORE BEING FOLDED OVER AND FIXED WITH 8mm STAPLES AT 100mm CENTRES.

PENETRATION DETAILS.

LOCATION OF PENETRATION.

CUT A SLOT AND FEATHER PENETRATION INTO THE FIREFLY™ BARRIER 50mm BELOW THE CENTRE LINE OF THE PENETRATION.



PHOENIX™ - PLEAT JOINT FOR PENETRATION

TBA PROTECTIVE TECHNOLOGIES LTD

UNIT 3, Transpennine Trading Estate, Gorrells Way  
Rochdale, OL11 2PX, United Kingdom

T: +44 (0)1706 758 817  
E: Technical@TBAFIREFLY.com  
W: www.tbafirefly.com

ARTIST: JC

APPROVED: DA

DATE: 07/12/2022

SCALE: NTS

DRAWING NO:

P - 008B

REVISION: 1

IN SEQUENCE: 1/1

ALL RIGHTS RESERVED. NO PARTS OF THIS DRAWING MAY BE USED REPRODUCED, ALTERED, STORED IN A RETRIEVAL SYSTEM OR TRANSMITTED IN ANY FORM OR BY ANY MEANS WITHOUT THE PRIOR WRITTEN PERMISSION OF TBA PROTECTIVE TECHNOLOGIES LTD. WHILST EVERY EFFORT HAS BEEN MADE TO COMPLY WITH THE CURRENT STATUTORY REGULATIONS, IT IS THE USER'S RESPONSIBILITY TO ENSURE THAT THE FINAL DETAILING AND INSTALLATION MEETS THE REQUIREMENTS OF RELEVANT REGULATORY AUTHORITY (OFTEN BUILDING CONTROL). PLEASE CHECK [www.tbafirefly.com](http://www.tbafirefly.com) TO ENSURE THAT YOU ARE USING THE CORRECT AND CURRENT VERSION. COPYRIGHT 2022

