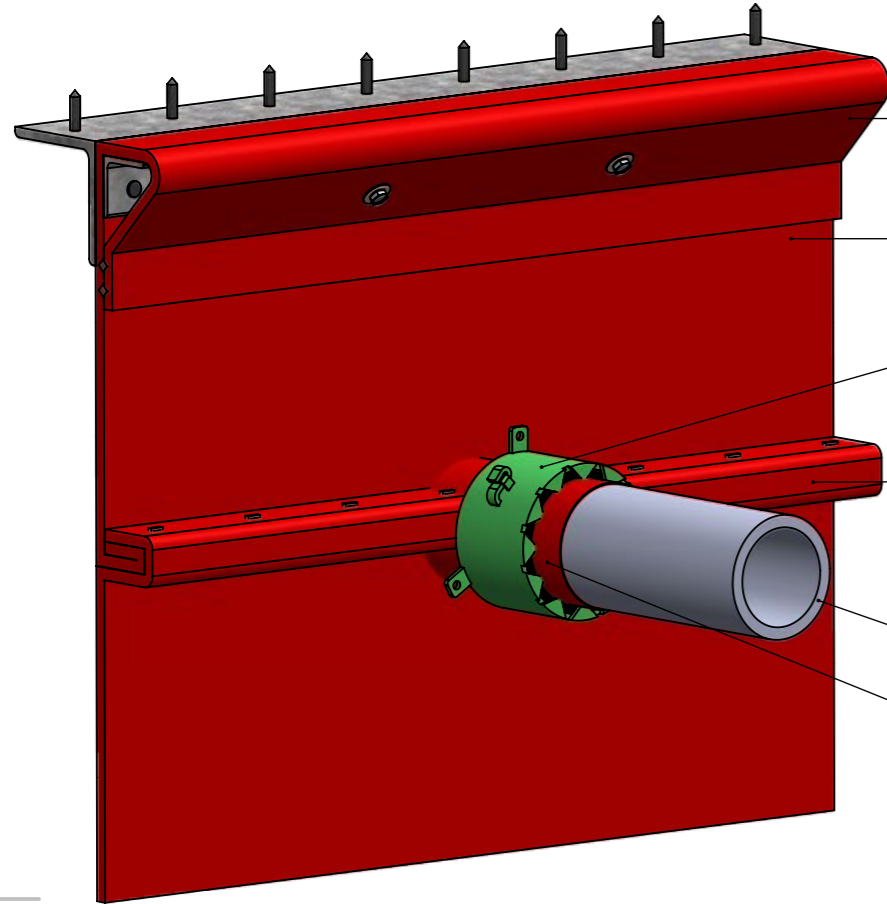
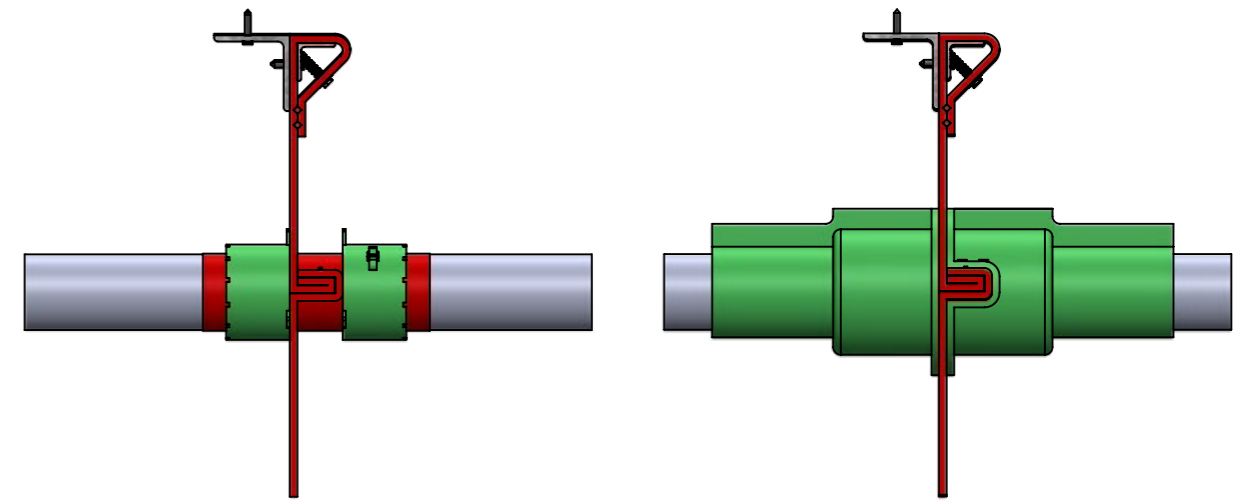


DO NOT SCALE. IF IN DOUBT ASK!

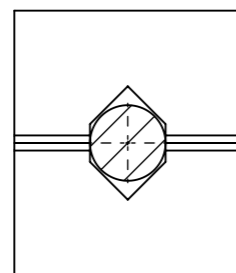
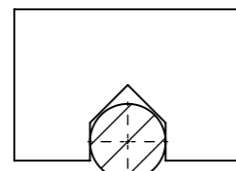


- TOP FIX (P-002).
- FIREFLY™ PHOENIX LITE™ BARRIER.
- FSI PIPEBLOC® PCP INTUMESCENT PIPE COLLAR FITTED TO BOTH SIDES OF BARRIER.
- FOLDED JOINT. (P-005 & P-006). STAPLED 50mm UP TO THE END OF BARRIER TO ALLOW FORMATION OF ADJACENT BARRIER. ENDS SEALED WITH FIREFLY™ HIGH TEMPERATURE ADHESIVE.
- PLASTIC PIPE PENETRATION.
- SINGLE LAYER OF FIREFLY™ PHOENIX OR OUTER GLASS FABRIC LAYERS OF OTHER FIREFLY™ BARRIER'S TIGHTLY WRAPPED AROUND PENETRATION, EXTENDING 300mm PAST BOTH BARRIERS.

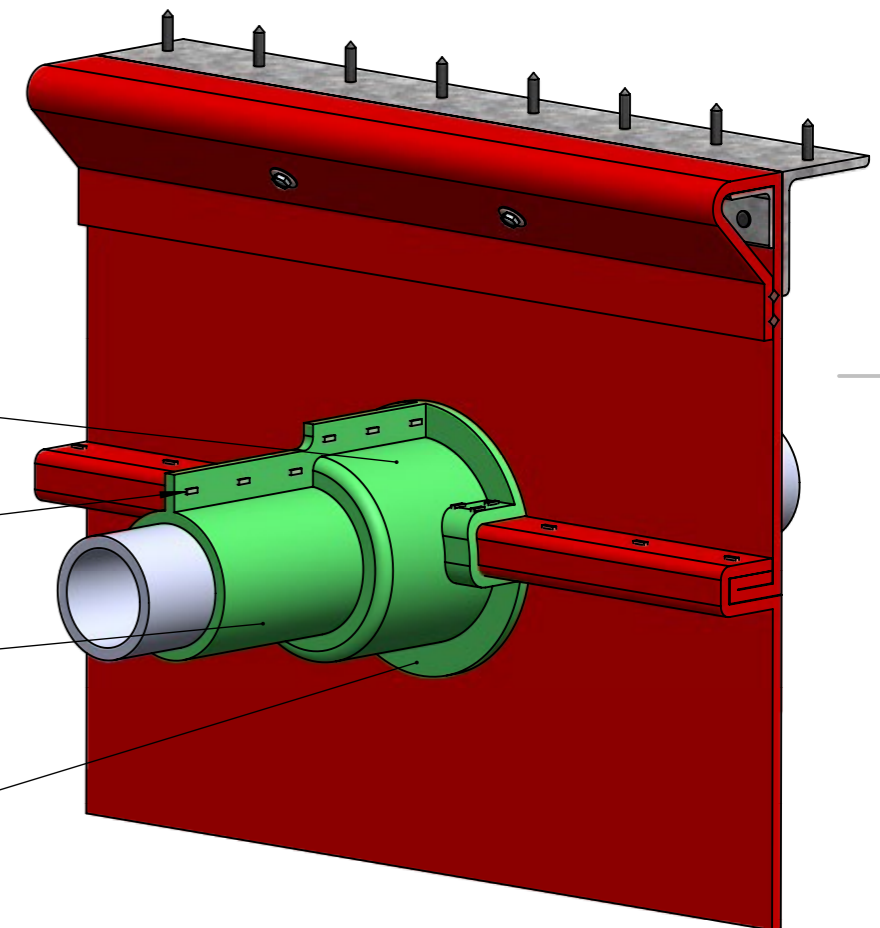


**PENETRATION DETAILS.**

- WORKING FROM THE TOP DRAPE THE BARRIER 150mm PAST THE CENTRE OF THE PENETRATION.
- CUT THE BARRIER TO ACCOMMODATE THE PENETRATION.
- LIFT SECOND BARRIER AND STAPLE TO ABOVE BARRIER USING STANDARD 3 ROW STAPLE BUTT JOINT.
- CUT LOWER BARRIER TO ACCOMMODATE THE PENETRATION.



- FSI PIPEBLOC® PCP INTUMESCENT PIPE COLLAR WRAPPED IN FIREFLY™ COLLAROLL.
- COLLAROLL WRAPPED AROUND AND FIXED TO ITSELF WITH 8mm STAPLES AT 80mm CENTRES.
- FIREFLY™ COLLAROLL WRAPPED AS TIGHTLY AS POSSIBLE AROUND THE PENETRATION.
- COLLAROLL FLANGE FIT FLUSH TO BARRIER AND SEALED WITH FIREFLY™ HIGH TEMPERATURE ADHESIVE.



**PHOENIX™ - PIPE COLLAR DETAIL**

TBA PROTECTIVE TECHNOLOGIES LTD UNIT 3, Transpennine Trading Estate, Gorrells Way Rochdale, OL11 2PX, United Kingdom T: +44 (0)1706 758 817 E: Technical@TBAFIREFLY.com W: www.tbafirefly.com	ARTIST: JC	DRAWING NO:
	APPROVED: DA	<b>P - 010</b>
	DATE: 25/01/2023	REVISION: 2
	SCALE: NTS	IN SEQUENCE: 1/1

ALL RIGHTS RESERVED. NO PARTS OF THIS DRAWING MAY BE USED REPRODUCED, ALTERED, STORED IN A RETRIEVAL SYSTEM OR TRANSMITTED IN ANY FORM OR BY ANY MEANS WITHOUT THE PRIOR WRITTEN PERMISSION OF TBA PROTECTIVE TECHNOLOGIES LTD. WHILST EVERY EFFORT HAS BEEN MADE TO COMPLY WITH THE CURRENT STATUTORY REGULATIONS, IT IS THE USER'S RESPONSIBILITY TO ENSURE THAT THE FINAL DETAILING AND INSTALLATION MEETS THE REQUIREMENTS OF RELEVANT REGULATORY AUTHORITY (OFTEN BUILDING CONTROL). PLEASE CHECK [www.tbafirefly.com](http://www.tbafirefly.com) TO ENSURE THAT YOU ARE USING THE CORRECT AND CURRENT VERSION. COPYRIGHT 2022

