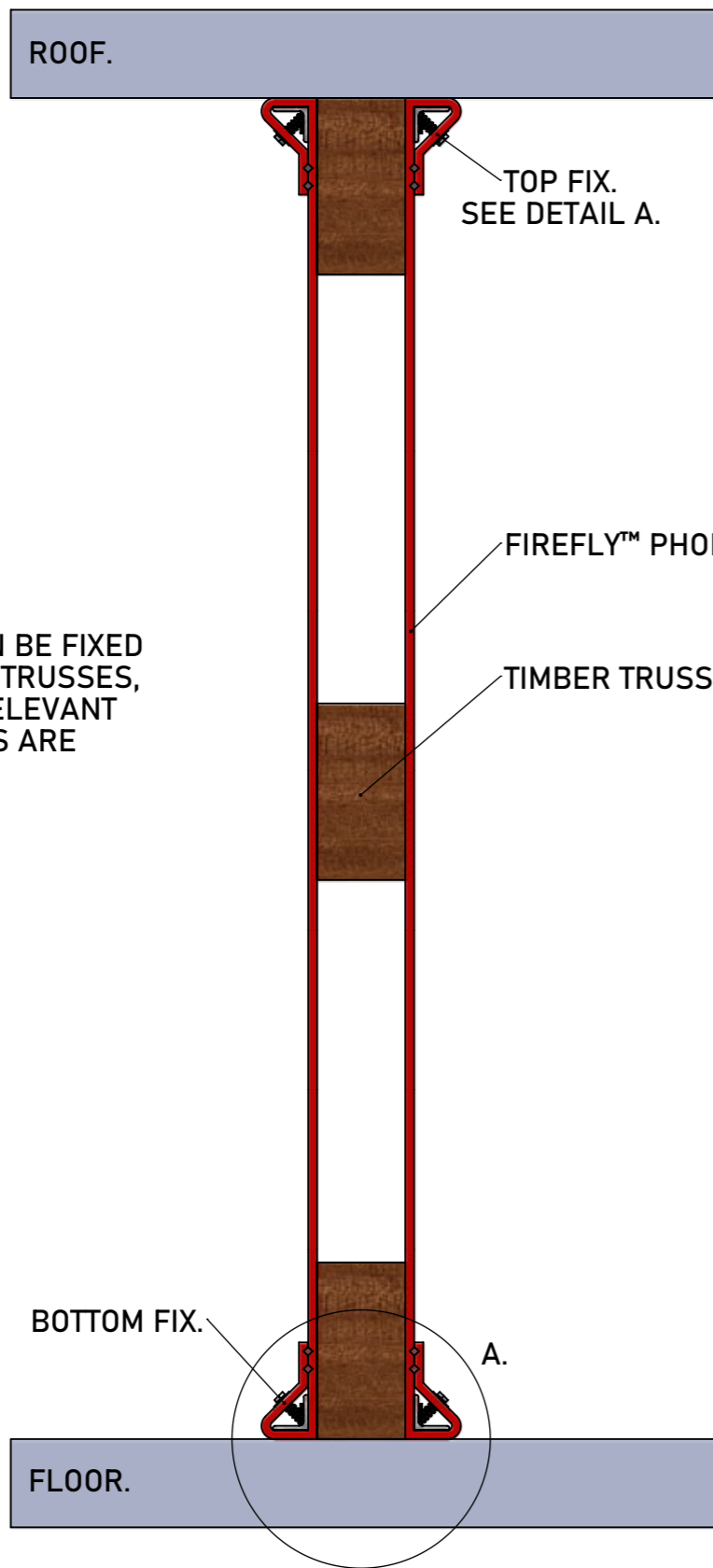
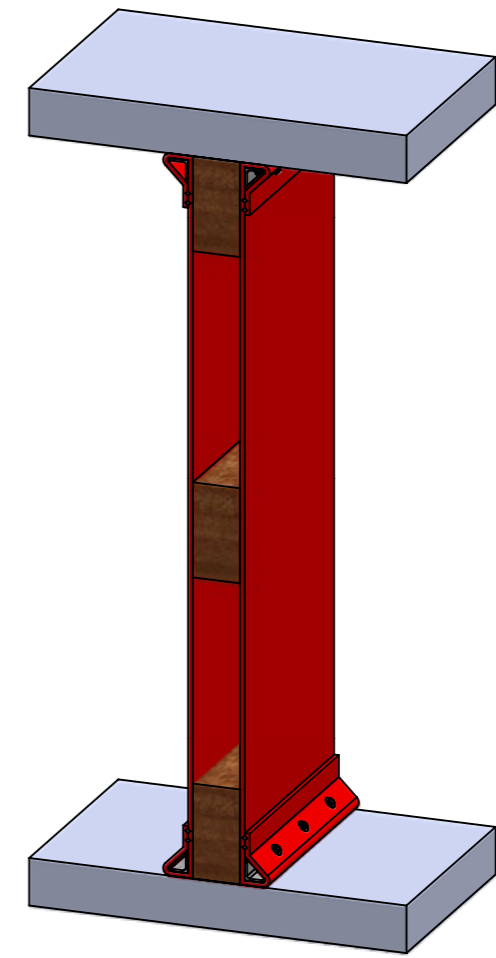


DO NOT SCALE. IF IN DOUBT ASK!



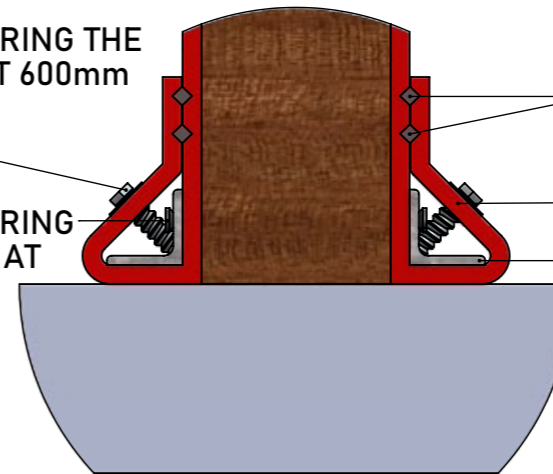
FIREFLY™ BARRIER CAN BE FIXED TO EITHER SIDE OF THE TRUSSES, ENSURING THAT ALL RELEVANT OVERLAPS AND FIXINGS ARE ADHERED TO.



DETAIL A.
BOTTOM & TOP FIX.

FIRE RATED FIXINGS SECURING THE BARRIER TO THE ANGLE AT 600mm CENTRES.

FIRE RATED FIXINGS SECURING THE ANGLE TO THE TRUSS AT 250mm CENTRES.



2 BEADS OF FIREFLY™ HIGH TEMPERATURE ADHESIVE.

150mm MINIMUM OVERLAP.

25 x 25 x 0.7mm MIN THICK GALVANISED ANGLE.

PHOENIX™ - TIMBER TRUSS WRAPPED

TBA PROTECTIVE TECHNOLOGIES LTD

UNIT 3, Transpennine Trading Estate, Gorrells Way
Rochdale, OL11 2PX, United Kingdom

T: +44 (0)1706 758 817
E: Technical@TBAFIREFLY.com
W: www.tbafirefly.com

ARTIST: JC

APPROVED: DA

DATE: 07/12/2022

SCALE: NTS

DRAWING NO:

P - 011

REVISION: 1

IN SEQUENCE: 1/1

ALL RIGHTS RESERVED. NO PARTS OF THIS DRAWING MAY BE USED REPRODUCED, ALTERED, STORED IN A RETRIEVAL SYSTEM OR TRANSMITTED IN ANY FORM OR BY ANY MEANS WITHOUT THE PRIOR WRITTEN PERMISSION OF TBA PROTECTIVE TECHNOLOGIES LTD. WHILST EVERY EFFORT HAS BEEN MADE TO COMPLY WITH THE CURRENT STATUTORY REGULATIONS, IT IS THE USER'S RESPONSIBILITY TO ENSURE THAT THE FINAL DETAILING AND INSTALLATION MEETS THE REQUIREMENTS OF RELEVANT REGULATORY AUTHORITY (OFTEN BUILDING CONTROL). PLEASE CHECK www.tbafirefly.com TO ENSURE THAT YOU ARE USING THE CORRECT AND CURRENT VERSION. COPYRIGHT 2022

