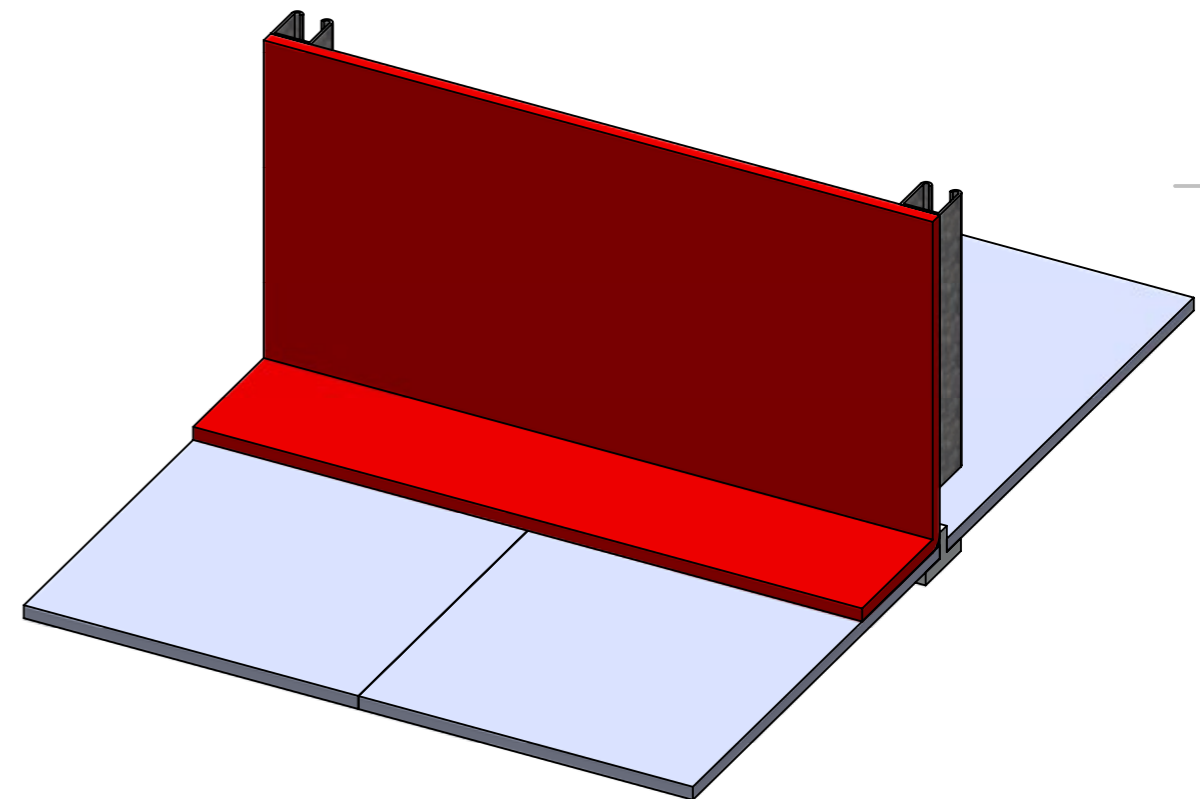
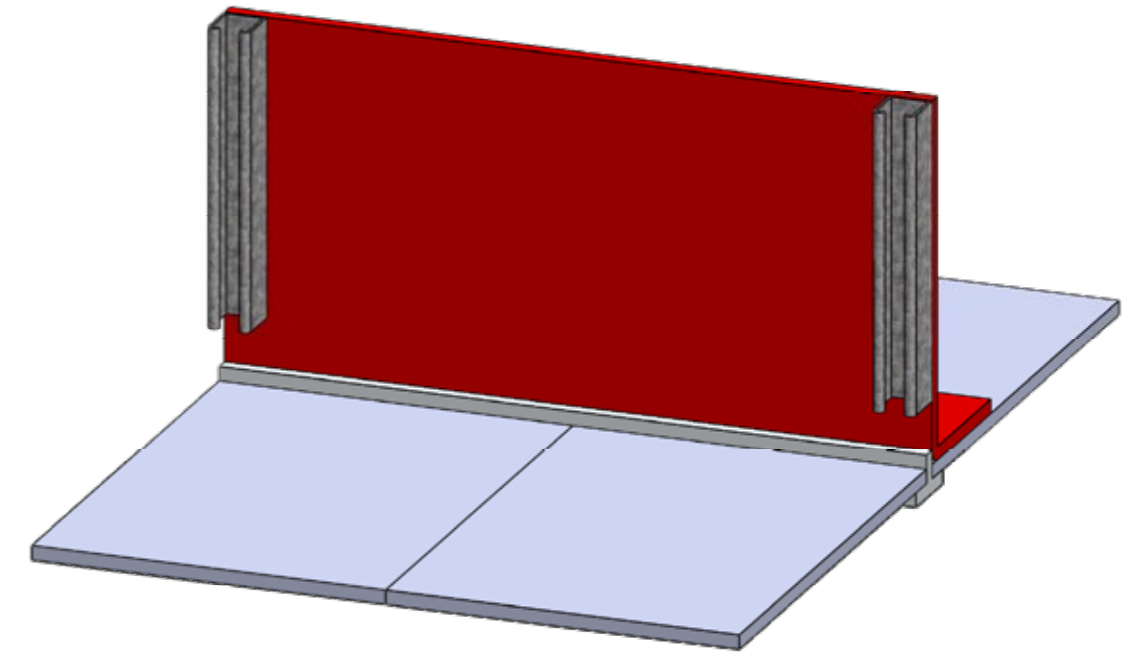
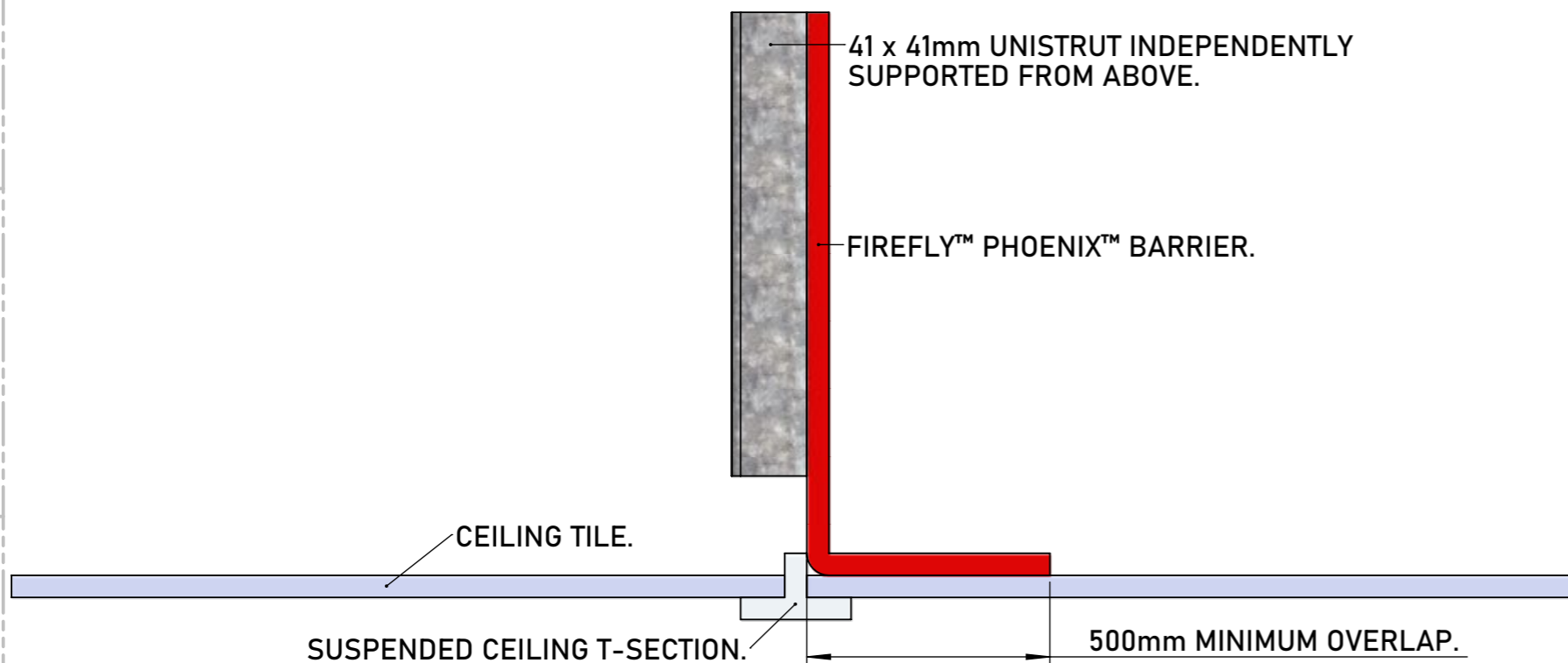


DO NOT SCALE. IF IN DOUBT ASK!



THIS DETAIL IS ABOUT HOW THE BARRIER INTERACTS WITH THE SUSPENDED CEILING ONLY.  
 MECHANICAL SUPPORT REQUIRED EVERY 8m BOTH HORIZONTALLY AND VERTICALLY.  
 FOR LARGER INSTALLATIONS, CONSIDER OTHER DESIGN/LOADING CRITERIA (E.G: WIND, WEIGHT).  
 CONTACT THE MANUFACTURER FOR CLARIFICATION ON NON-STANDARD INSTALLATIONS.  
 THIS IS AN UNTESTED DETAIL. CURRENTLY THERE IS NOT A TEST STANDARD FOR FLEXIBLE  
 BARRIERS TO A SUSPENDED CEILING.  
 IF IT IS A NON-FIRE RATED CEILING, THE CEILING WILL BURN AWAY BEFORE THE  
 BARRIER DOES.  
 SEE "P-002" FOR TOP FIX DETAILS.

PHOENIX™ - BOTTOM DETAIL - SUSPENDED CEILING

TBA PROTECTIVE TECHNOLOGIES LTD

UNIT 3, Transpennine Trading Estate, Gorrells Way  
 Rochdale, OL11 2PX, United Kingdom

T: +44 (0)1706 758 817  
 E: Technical@TBAFIREFLY.com  
 W: www.tbafirefly.com

ARTIST: JC

APPROVED: DA

DATE: 07/12/2022

SCALE: NTS

DRAWING NO:

P - 015

REVISION: 1

IN SEQUENCE: 1/1

ALL RIGHTS RESERVED. NO PARTS OF THIS DRAWING MAY BE USED REPRODUCED, ALTERED, STORED IN A RETRIEVAL SYSTEM OR TRANSMITTED IN ANY FORM OR BY ANY MEANS WITHOUT THE PRIOR WRITTEN PERMISSION OF TBA PROTECTIVE TECHNOLOGIES LTD. WHILST EVERY EFFORT HAS BEEN MADE TO COMPLY WITH THE CURRENT STATUTORY REGULATIONS, IT IS THE USER'S RESPONSIBILITY TO ENSURE THAT THE FINAL DETAILING AND INSTALLATION MEETS THE REQUIREMENTS OF RELEVANT REGULATORY AUTHORITY (OFTEN BUILDING CONTROL). PLEASE CHECK [www.tbafirefly.com](http://www.tbafirefly.com) TO ENSURE THAT YOU ARE USING THE CORRECT AND CURRENT VERSION. COPYRIGHT 2022

