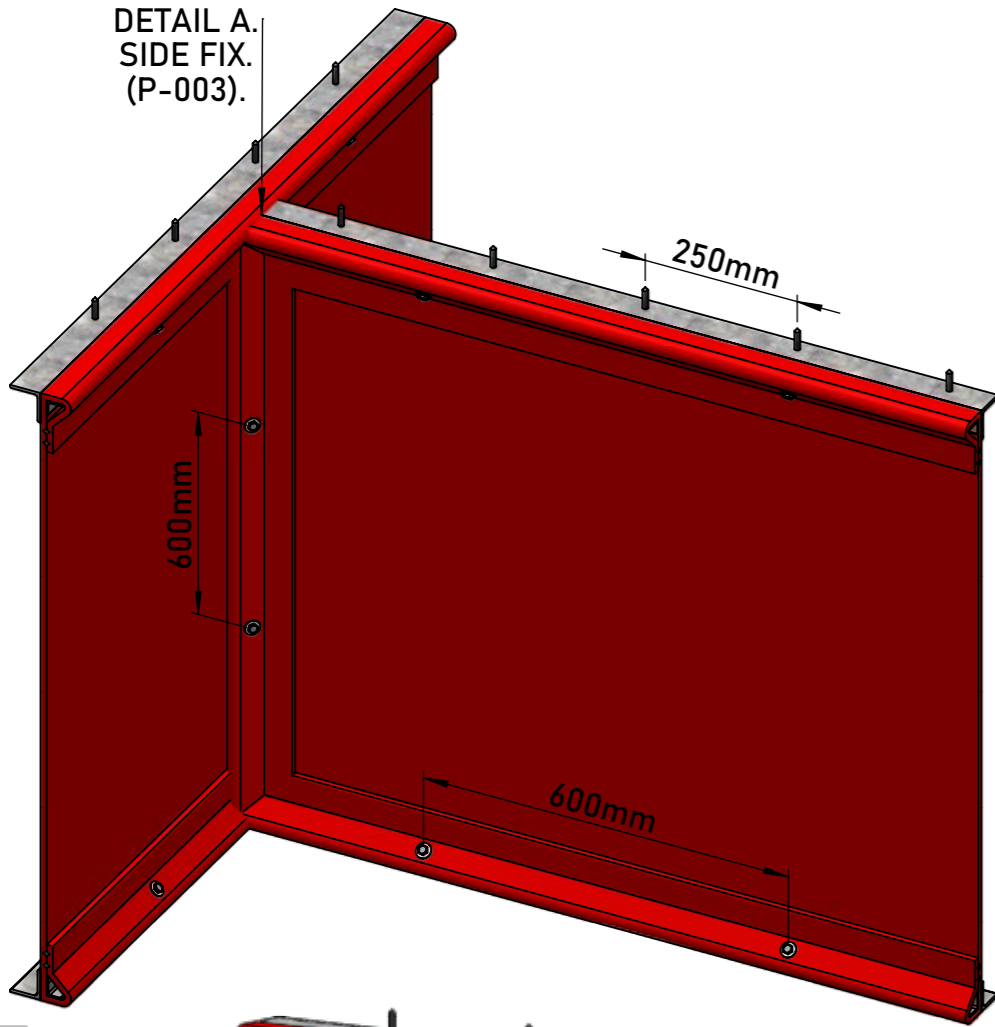


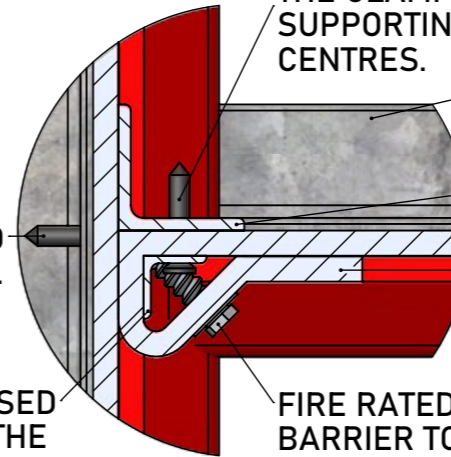
DETAIL A.  
SIDE FIX.  
(P-003).



DETAIL A.  
SIDE FIX.  
(P-003)

FIRE RATED FIXINGS SECURING THE SUPPORTING ANGLE TO THE TOP AND BOTTOM FIXES SUPPORTING ANGLES.

25 x 25 x 0.7mm MIN THICK GALVANISED ANGLE CLAMPING THE BARRIER TO THE SUPPORTING ANGLE.



FIRE RATED FIXINGS SECURING THE CLAMPING ANGLE TO THE SUPPORTING ONE AT 250mm CENTRES.

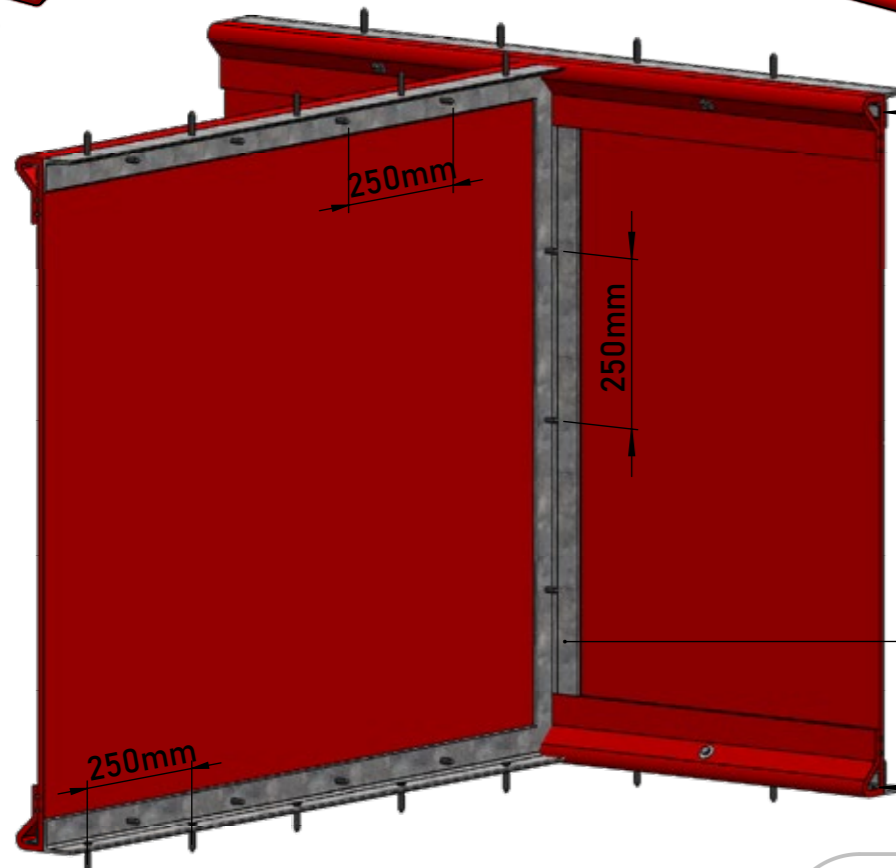
50 x 50 x 0.7mm MIN THICK GALVANISED ANGLE SUPPORTING THE BOTTOM FIX.

50 x 50 x 0.7mm MIN THICK GALVANISED ANGLE.

150mm MINIMUM OVERLAP SECURED BACK TO THE BARRIER WITH 2 BEADS OF FIREFLY™ HIGH TEMPERATURE ADHESIVE.

FIRE RATED FIXINGS SECURING THE BARRIER TO THE CLAMPING ANGLE AT 600mm CENTRES.

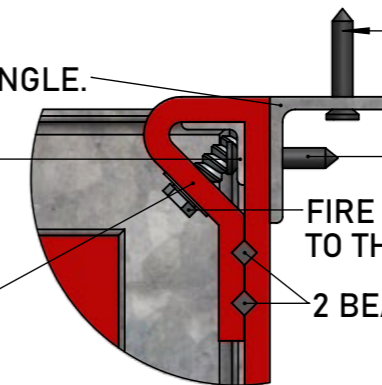
DETAIL B.  
TOP FIX.  
(P-002).



50x50x0.7mm MIN THICK GALVANISED ANGLE.

25x25x0.7mm MIN THICK GALVANISED ANGLE CLAMPING THE BARRIER TO THE SUPPORTING ANGLE.

150mm MINIMUM OVERLAP FOLDED BACK TO PROTECT ANGLE.



FIRE RATED FIXINGS SECURING THE ANGLE TO THE ROOF/SOFFIT AT 250mm CENTRES.

FIRE RATED FIXINGS SECURING THE CLAMPING ANGLE TO THE SUPPORTING ANGLES AT 250mm CENTRES.

FIRE RATED FIXINGS SECURING THE BARRIER TO THE CLAMPING ANGLE AT 600mm CENTRES.

2 BEADS OF FIREFLY™ HIGH TEMPERATURE ADHESIVE.

DETAIL B.  
TOP FIX.  
(P-002).

SUPPORTING ANGLE FOR SIDE FIX. FIXED AT THE TOP AND BOTTOM TO THE SUPPORTING ANGLES.

BOTTOM FIX SAME AS TOP FIX.  
(P-004).

## PHOENIX™ - PERPENDICULAR BARRIER FIXING

TBA PROTECTIVE TECHNOLOGIES LTD

UNIT 3, Transpennine Trading Estate, Gorrells Way  
Rochdale, OL11 2PX, United Kingdom

T: +44 (0)1706 758 817  
E: Technical@TBAFIREFLY.com  
W: www.tbafirefly.com

ARTIST: JC

APPROVED: DA

DATE: 25/01/2023

SCALE: NTS

DRAWING NO:

P - 025

REVISION: 1

IN SEQUENCE: 1/1

ALL RIGHTS RESERVED. NO PARTS OF THIS DRAWING MAY BE USED REPRODUCED, ALTERED, STORED IN A RETRIEVAL SYSTEM OR TRANSMITTED IN ANY FORM OR BY ANY MEANS WITHOUT THE PRIOR WRITTEN PERMISSION OF TBA PROTECTIVE TECHNOLOGIES LTD. WHILST EVERY EFFORT HAS BEEN MADE TO COMPLY WITH THE CURRENT STATUTORY REGULATIONS, IT IS THE USER'S RESPONSIBILITY TO ENSURE THAT THE FINAL DETAILING AND INSTALLATION MEETS THE REQUIREMENTS OF RELEVANT REGULATORY AUTHORITY (OFTEN BUILDING CONTROL). PLEASE CHECK [www.tbafirefly.com](http://www.tbafirefly.com) TO ENSURE THAT YOU ARE USING THE CORRECT AND CURRENT VERSION.  
COPYRIGHT 2022

