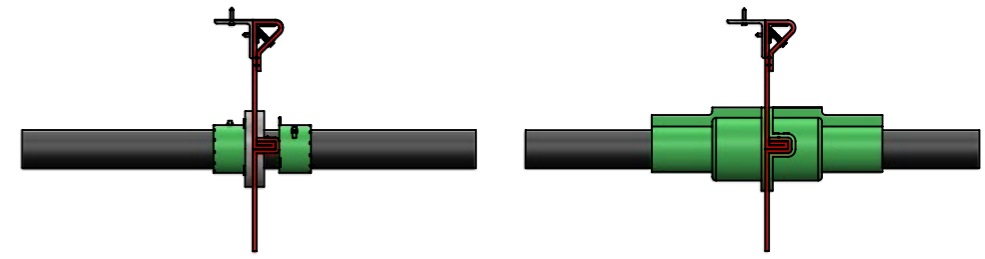
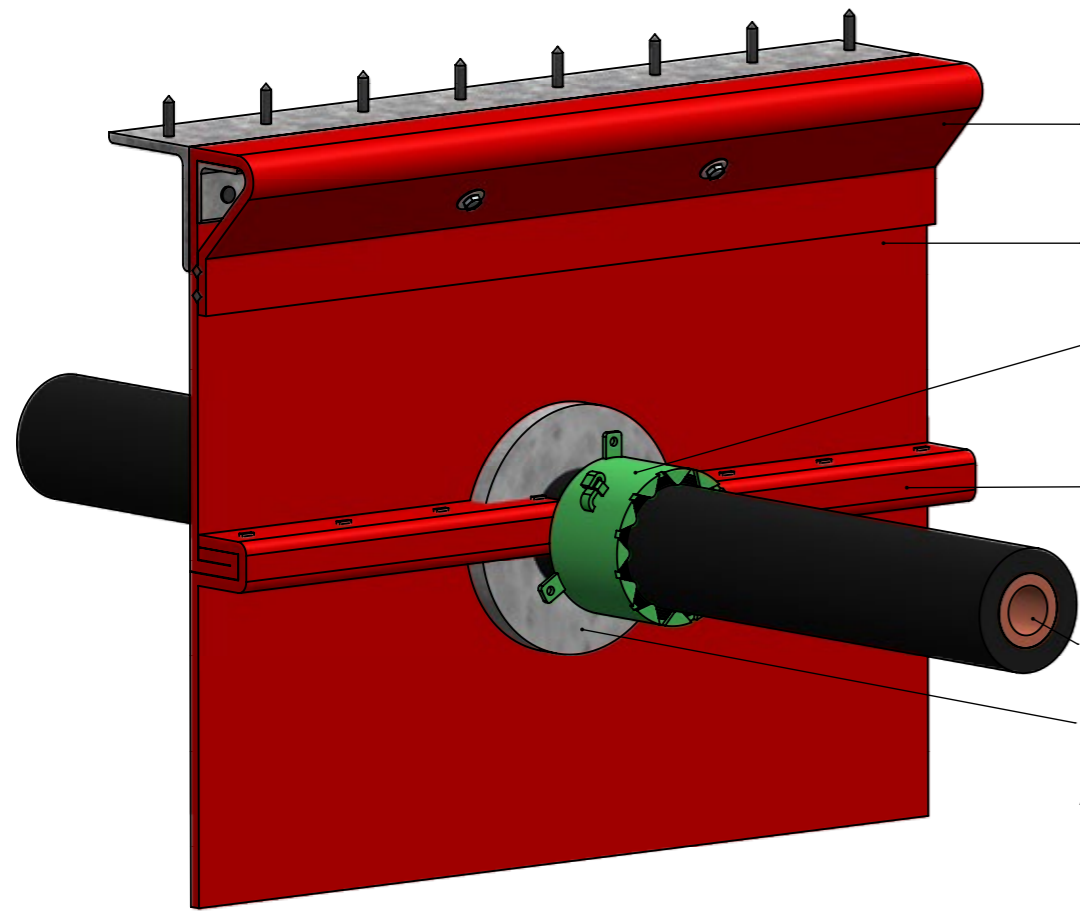
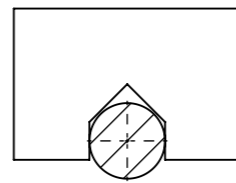


DO NOT SCALE. IF IN DOUBT ASK!



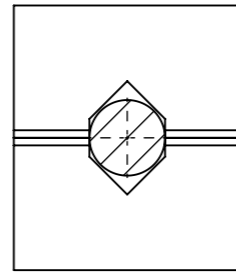
PENETRATION DETAILS.

WORKING FROM THE TOP DRAPE THE BARRIER 150mm PAST THE CENTRE OF THE PENETRATION.



CUT THE BARRIER TO ACCOMMODATE THE PENETRATION.

LIFT SECOND BARRIER AND STAPLE TO ABOVE BARRIER USING STANDARD 3 ROW STAPLE BUTT JOINT.



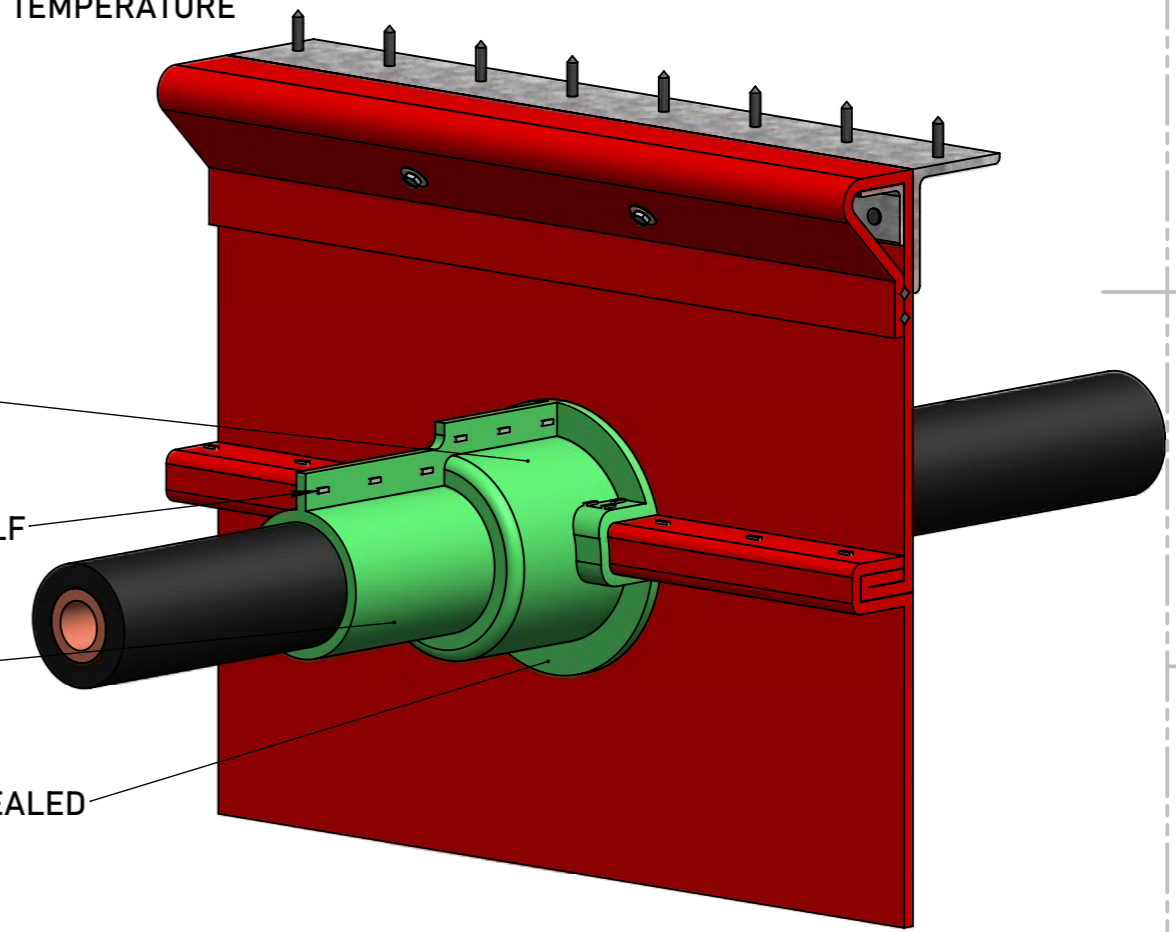
CUT LOWER BARRIER TO ACCOMMODATE THE PENETRATION.

FSI PIPEBLOC® PCP INTUMESCENT PIPE COLLAR WRAPPED IN FIREFLY™ COLLAROLL.

COLLAROLL WRAPPED AROUND AND FIXED TO ITSELF WITH 8mm STAPLES AT 80mm CENTRES.

FIREFLY™ COLLAROLL WRAPPED AS TIGHTLY AS POSSIBLE AROUND THE PENETRATION.

COLLAROLL FLANGE FIT FLUSH TO BARRIER AND SEALED WITH FIREFLY™ HIGH TEMPERATURE ADHESIVE.



PHOENIX™ - COPPER PIPE PENETRATION

TBA PROTECTIVE TECHNOLOGIES LTD

ARTIST: JC

DRAWING NO:

UNIT 3, Transpennine Trading Estate, Gorrells Way
Rochdale, OL11 2PX, United Kingdom

APPROVED: KG

P - 203

T: +44 (0)1706 758 817
E: Technical@TBAFIREFLY.com
W: www.tbafirefly.com

DATE: 25/01/2023

REVISION: 1

SCALE: NTS

IN SEQUENCE: 1/1

ALL RIGHTS RESERVED. NO PARTS OF THIS DRAWING MAY BE USED REPRODUCED, ALTERED, STORED IN A RETRIEVAL SYSTEM OR TRANSMITTED IN ANY FORM OR BY ANY MEANS WITHOUT THE PRIOR WRITTEN PERMISSION OF TBA PROTECTIVE TECHNOLOGIES LTD. WHILST EVERY EFFORT HAS BEEN MADE TO COMPLY WITH THE CURRENT STATUTORY REGULATIONS, IT IS THE USER'S RESPONSIBILITY TO ENSURE THAT THE FINAL DETAILING AND INSTALLATION MEETS THE REQUIREMENTS OF RELEVANT REGULATORY AUTHORITY (OFTEN BUILDING CONTROL). PLEASE CHECK www.tbafirefly.com TO ENSURE THAT YOU ARE USING THE CORRECT AND CURRENT VERSION. COPYRIGHT 2022

