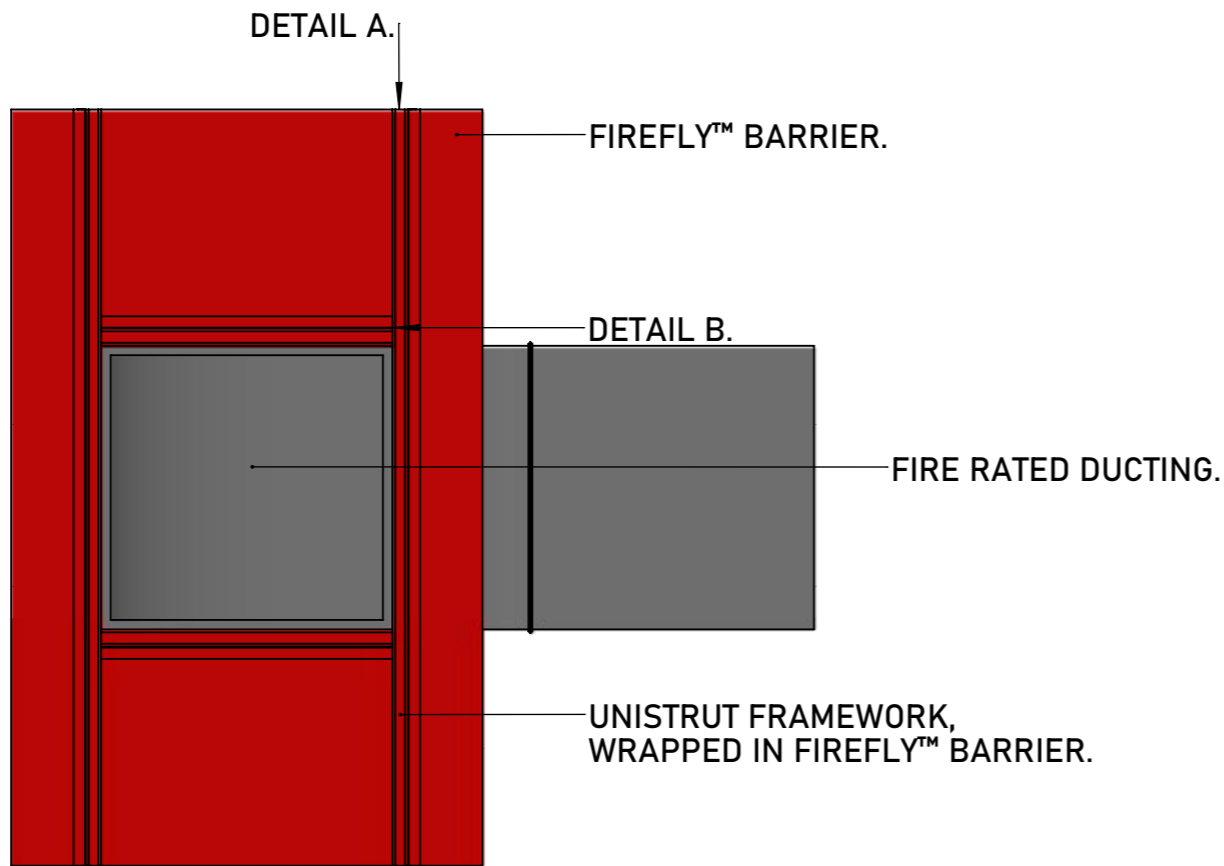


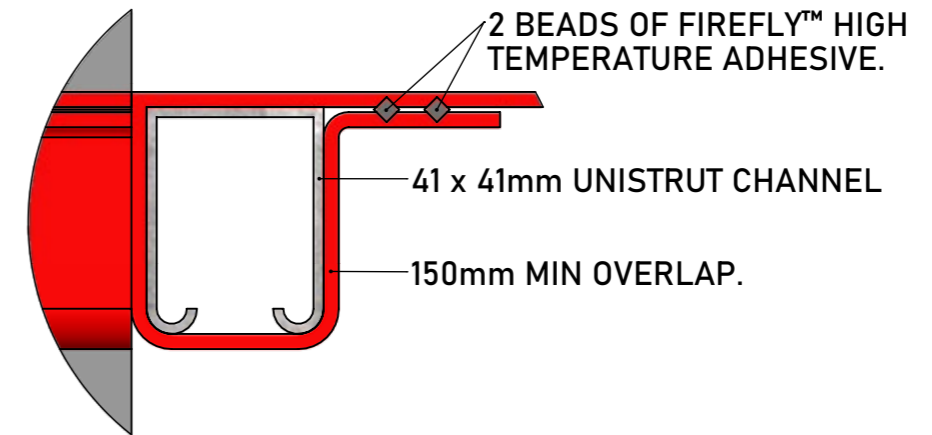
DO NOT SCALE. IF IN DOUBT ASK!



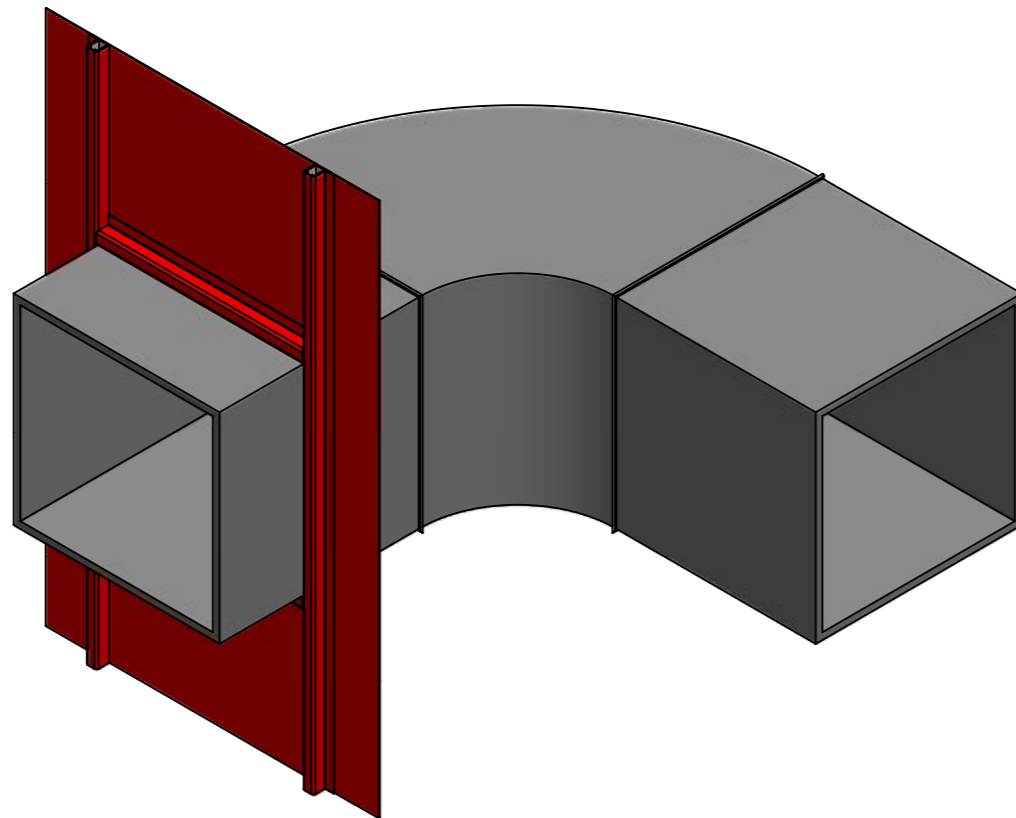
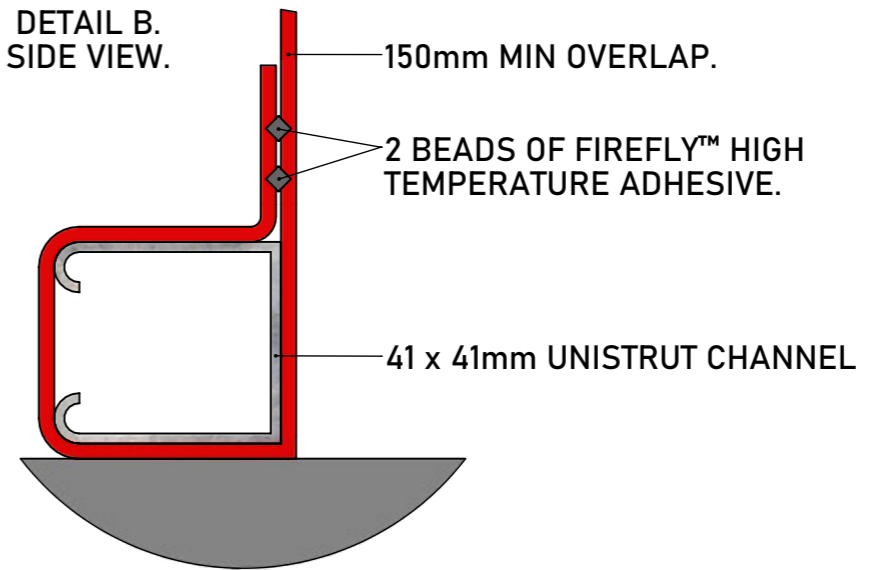
A PROTECTED FRAMEWORK IS CONSTRUCTED AROUND THE DUCTING.
(P-401, P-402 & P-402B)

FOR DAMPERS SEE: (P-403 & P-403B)

DETAIL A.
BIRDS EYE VIEW.



DETAIL B.
SIDE VIEW.



FIRE RATED DUCTING SHOULD BE INDEPENDENTLY SUPPORTED TO MANUFACTURERS INSTRUCTIONS.



ALL RIGHTS RESERVED. NO PARTS OF THIS DRAWING MAY BE USED REPRODUCED, ALTERED, STORED IN A RETRIEVAL SYSTEM OR TRANSMITTED IN ANY FORM OR BY ANY MEANS WITHOUT THE PRIOR WRITTEN PERMISSION OF TBA PROTECTIVE TECHNOLOGIES LTD. WHILST EVERY EFFORT HAS BEEN MADE TO COMPLY WITH THE CURRENT STATUTORY REGULATIONS, IT IS THE USER'S RESPONSIBILITY TO ENSURE THAT THE FINAL DETAILING AND INSTALLATION MEETS THE REQUIREMENTS OF RELEVANT REGULATORY AUTHORITY (OFTEN BUILDING CONTROL). PLEASE CHECK www.tbafirefly.com TO ENSURE THAT YOU ARE USING THE CORRECT AND CURRENT VERSION. COPYRIGHT 2022

PHOENIX™ - PROTECTED FRAMEWORK FOR FIRE RATED DUCTING

TBA PROTECTIVE TECHNOLOGIES LTD

UNIT 3, Transpennine Trading Estate, Gorrells Way
Rochdale, OL11 2PX, United Kingdom

T: +44 (0)1706 758 817
E: Technical@TBAFIREFLY.com
W: www.tbafirefly.com

ARTIST: JC

APPROVED: DA

DATE: 25/01/2023

SCALE: NTS

DRAWING NO:

P - 404

REVISION: 1

IN SEQUENCE: 1/1