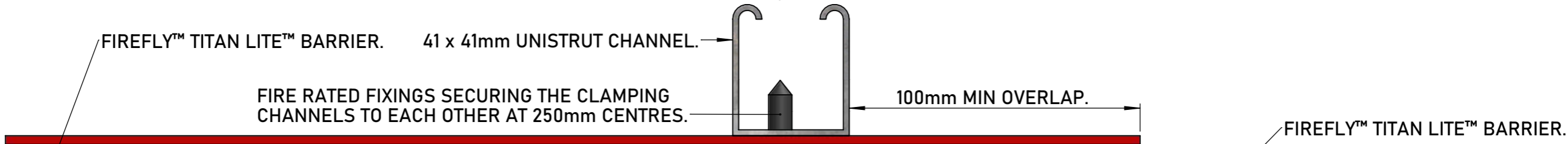


7 6 5 4 3 2 1

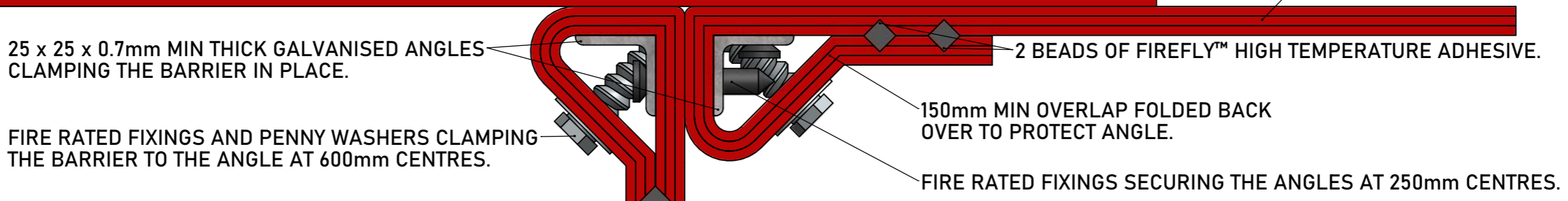
DO NOT SCALE. IF IN DOUBT ASK!

F F



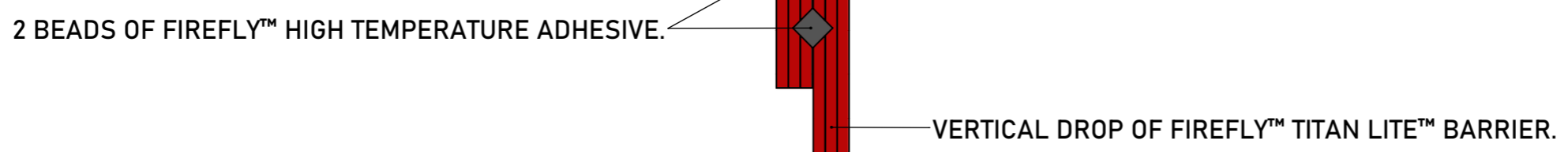
FIREFLY™ TITAN LITE™ BARRIER. 41 x 41mm UNISTRUT CHANNEL.  
 FIRE RATED FIXINGS SECURING THE CLAMPING CHANNELS TO EACH OTHER AT 250mm CENTRES. 100mm MIN OVERLAP.  
 FIREFLY™ TITAN LITE™ BARRIER.

E E



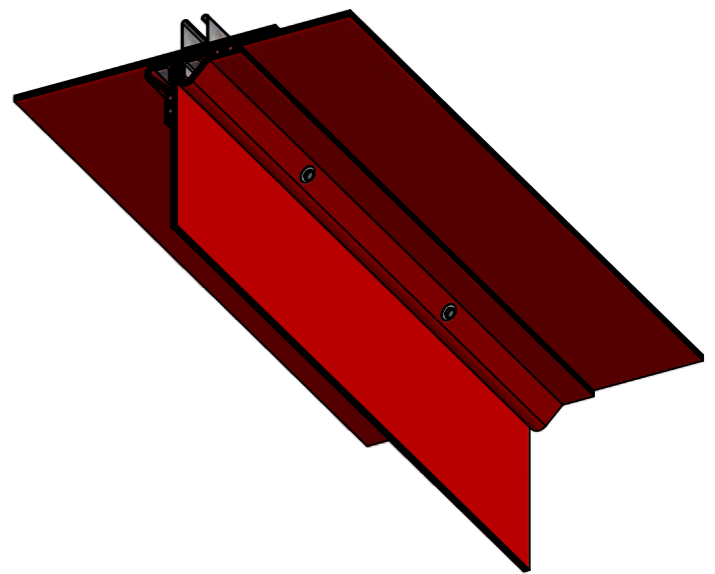
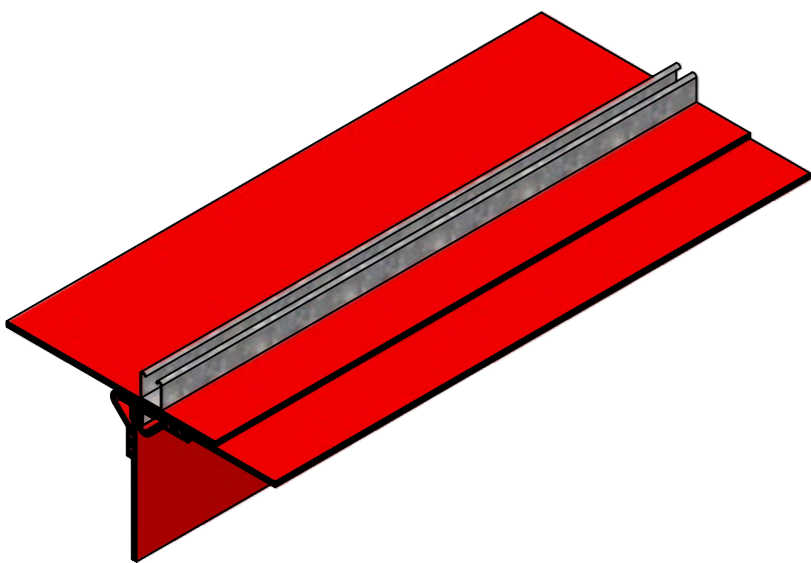
25 x 25 x 0.7mm MIN THICK GALVANISED ANGLES CLAMPING THE BARRIER IN PLACE.  
 FIRE RATED FIXINGS AND PENNY WASHERS CLAMPING THE BARRIER TO THE ANGLE AT 600mm CENTRES.  
 2 BEADS OF FIREFLY™ HIGH TEMPERATURE ADHESIVE.  
 150mm MIN OVERLAP FOLDED BACK OVER TO PROTECT ANGLE.  
 FIRE RATED FIXINGS SECURING THE ANGLES AT 250mm CENTRES.

D D



2 BEADS OF FIREFLY™ HIGH TEMPERATURE ADHESIVE.  
 VERTICAL DROP OF FIREFLY™ TITAN LITE™ BARRIER.

C C



B B

TITAN LITE™ HORIZONTAL - HORIZONTAL CLAMP FIX

TBA PROTECTIVE TECHNOLOGIES LTD UNIT 3, Transpennine Trading Estate, Gorrells Way Rochdale, OL11 2PX, United Kingdom T: +44 (0)1706 758 817 E: Technical@TBAFIREFLY.com W: www.tbafirefly.com	ARTIST: JC	DRAWING NO:
	APPROVED: DA	TH - 102
	DATE: 07/12/2022	REVISION: 1
	SCALE: NTS	IN SEQUENCE: 1/1

ALL RIGHTS RESERVED. NO PARTS OF THIS DRAWING MAY BE USED REPRODUCED, ALTERED, STORED IN A RETRIEVAL SYSTEM OR TRANSMITTED IN ANY FORM OR BY ANY MEANS WITHOUT THE PRIOR WRITTEN PERMISSION OF TBA PROTECTIVE TECHNOLOGIES LTD. WHILST EVERY EFFORT HAS BEEN MADE TO COMPLY WITH THE CURRENT STATUTORY REGULATIONS, IT IS THE USER'S RESPONSIBILITY TO ENSURE THAT THE FINAL DETAILING AND INSTALLATION MEETS THE REQUIREMENTS OF RELEVANT REGULATORY AUTHORITY (OFTEN BUILDING CONTROL). PLEASE CHECK [www.tbafirefly.com](http://www.tbafirefly.com) TO ENSURE THAT YOU ARE USING THE CORRECT AND CURRENT VERSION. COPYRIGHT 2022



7 6 5 4 3 2 1

A A