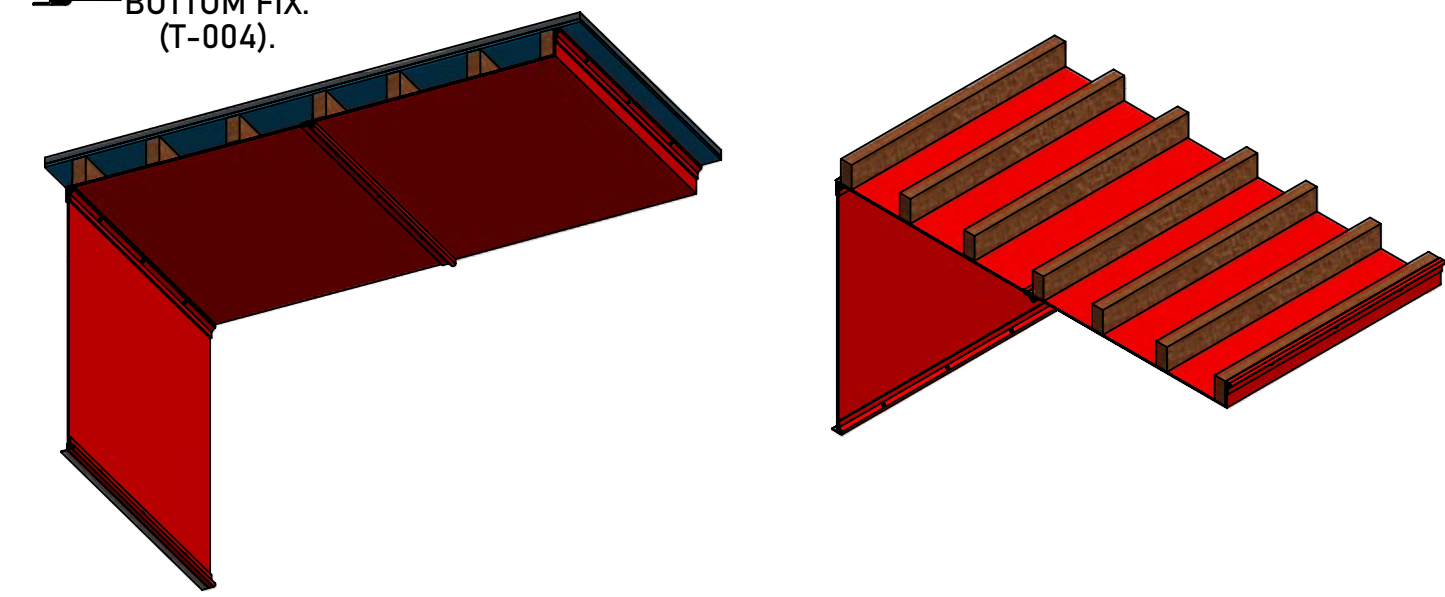
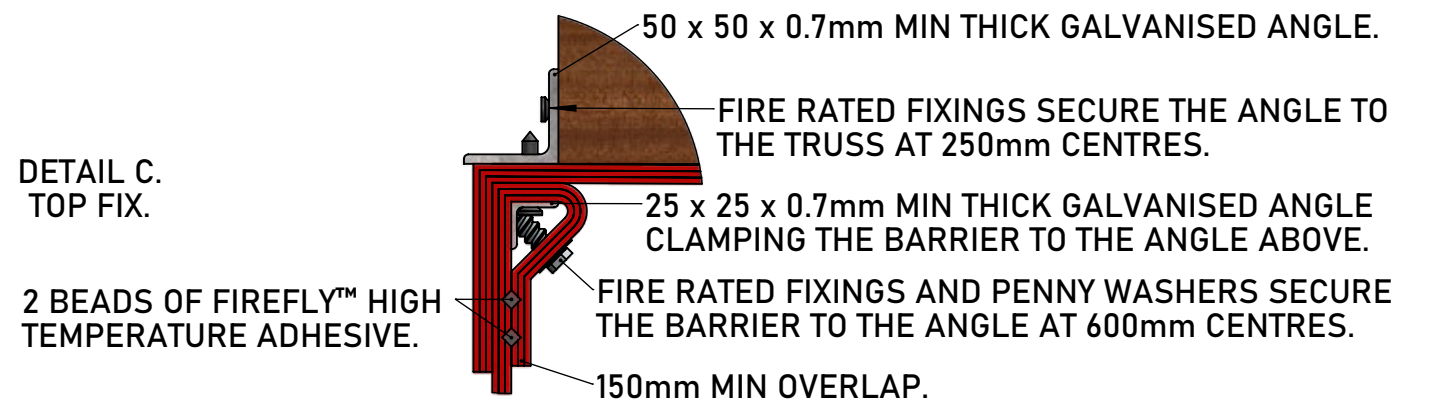
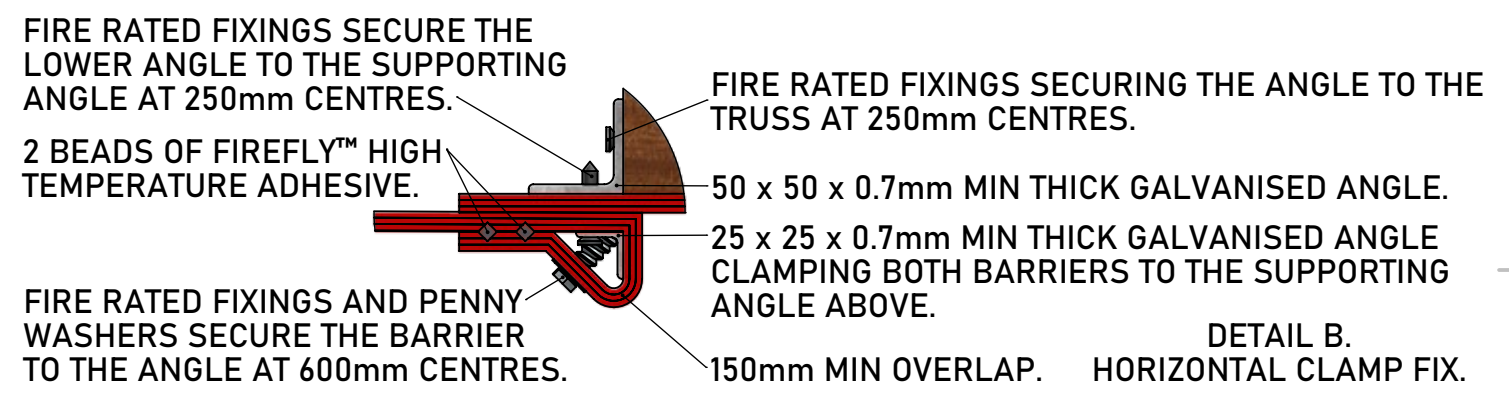
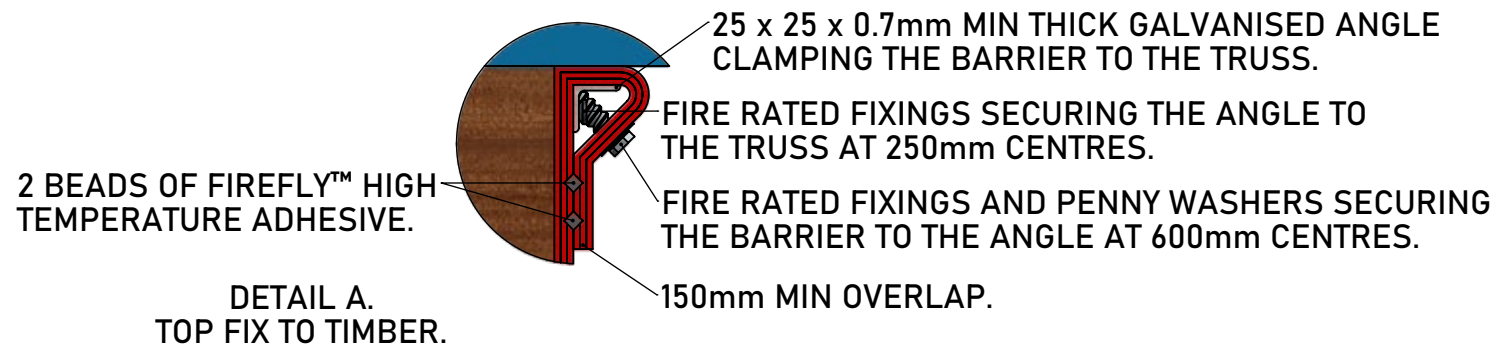
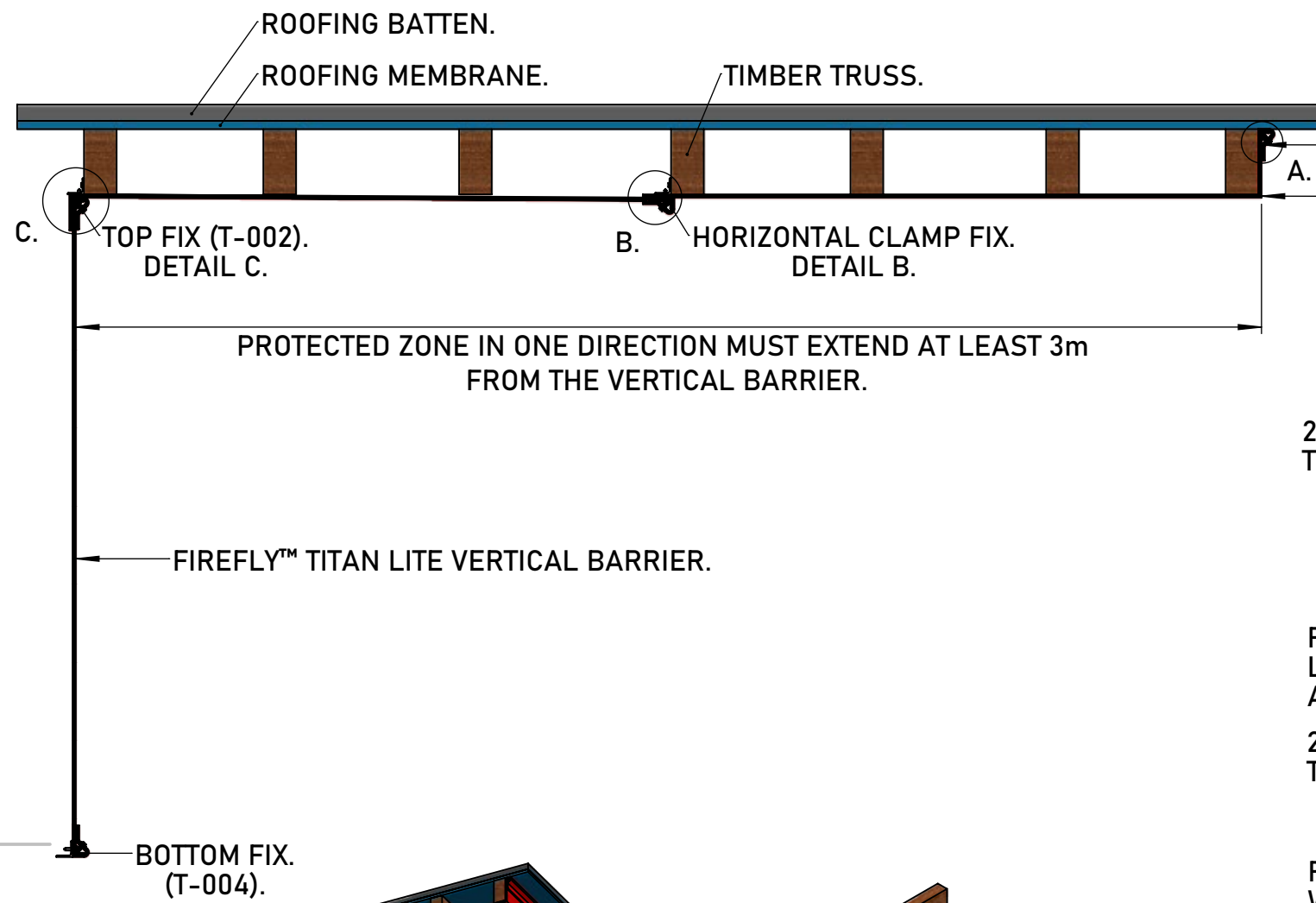


DO NOT SCALE. IF IN DOUBT ASK!

PROTECTED ZONE MUST EXTEND 1.5m IN BOTH DIRECTIONS OR 3m IN A SINGLE DIRECTION.
INTERNATIONAL GUIDELINES MAY DIFFER ON PROTECTED ZONES.
IT IS THE INSTALLERS RESPONSIBILITY TO ENSURE LOCAL BUILDING REGULATIONS ARE MET.



FIRESTOPPING MUST EXTEND TO ANY EAVES.

IF TRUSSED RAFTERS BRIDGE THE WALL, FAILURE IN ONE COMPARTMENT SHOULD NOT CAUSE FAILURE OF THE TRUSS IN ANOTHER COMPARTMENT.

TITAN LITE™ HORIZONTAL - RESTRICTED ACCESS PROTECTED ZONE

TBA PROTECTIVE TECHNOLOGIES LTD UNIT 3, Transpennine Trading Estate, Gorrells Way Rochdale, OL11 2PX, United Kingdom T: +44 (0)1706 758 817 E: Technical@TBAFIREFLY.com W: www.tbafirefly.com	ARTIST: JC	DRAWING NO:
	APPROVED: DA	TH - 106
	DATE: 25/01/2023	REVISION: 1
	SCALE: NTS	IN SEQUENCE: 1/1



ALL RIGHTS RESERVED. NO PARTS OF THIS DRAWING MAY BE USED REPRODUCED, ALTERED, STORED IN A RETRIEVAL SYSTEM OR TRANSMITTED IN ANY FORM OR BY ANY MEANS WITHOUT THE PRIOR WRITTEN PERMISSION OF TBA PROTECTIVE TECHNOLOGIES LTD. WHILST EVERY EFFORT HAS BEEN MADE TO COMPLY WITH THE CURRENT STATUTORY REGULATIONS, IT IS THE USER'S RESPONSIBILITY TO ENSURE THAT THE FINAL DETAILING AND INSTALLATION MEETS THE REQUIREMENTS OF RELEVANT REGULATORY AUTHORITY (OFTEN BUILDING CONTROL). PLEASE CHECK www.tbafirefly.com TO ENSURE THAT YOU ARE USING THE CORRECT AND CURRENT VERSION. COPYRIGHT 2022