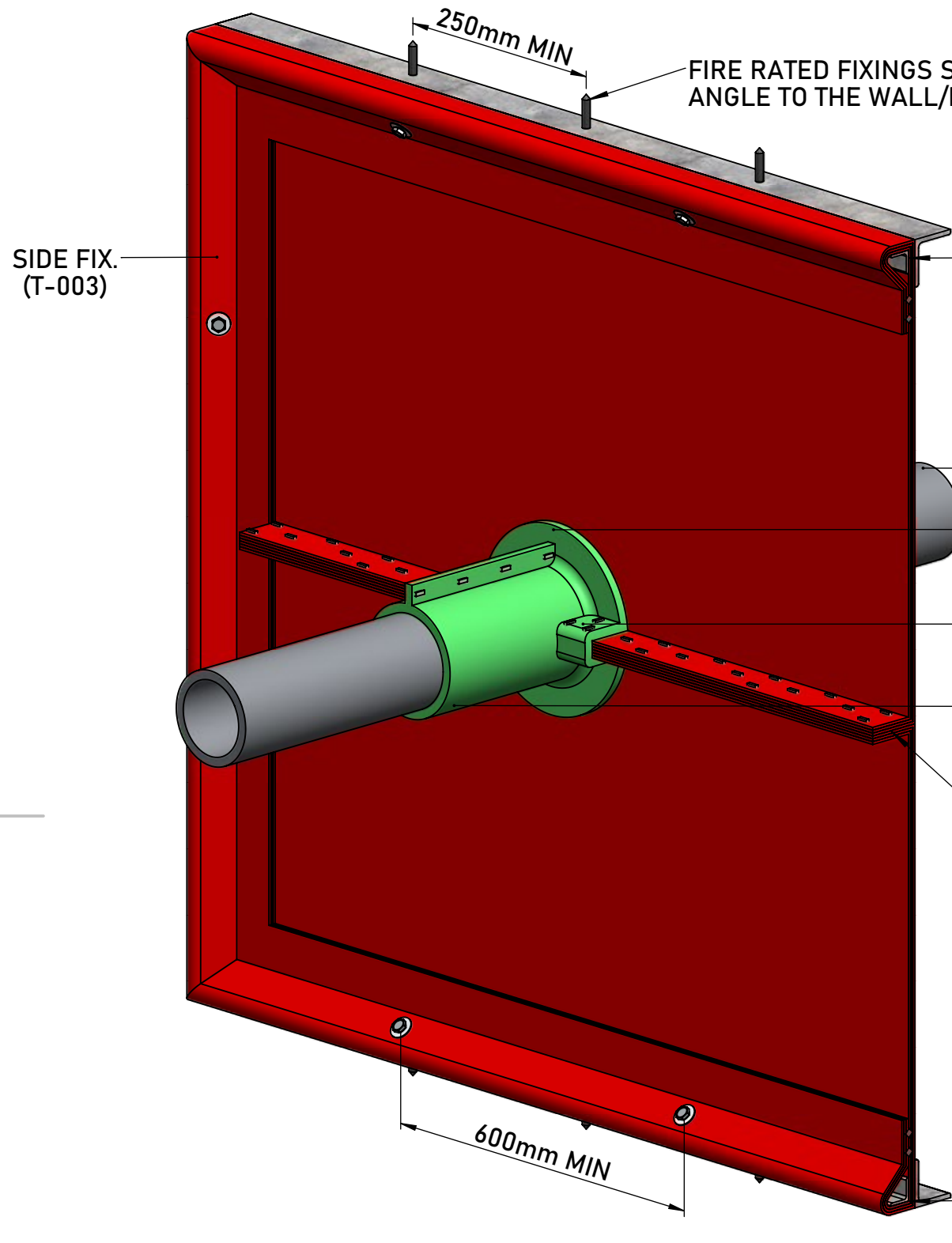


DO NOT SCALE. IF IN DOUBT ASK!



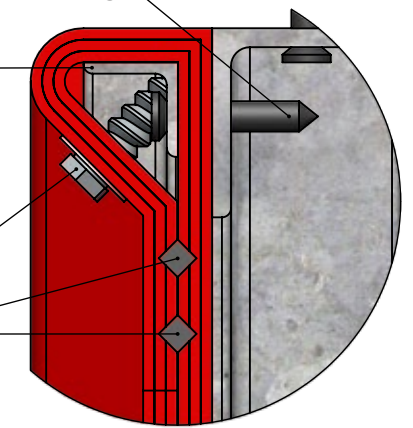
FIRE RATED FIXINGS SECURING THE SUPPORTING ANGLE TO THE WALL/ROOF/FLOOR AT 250mm CENTRES.

FIRE RATED FIXINGS SECURING THE CLAMPING ANGLE TO THE SUPPORTING ANGLE AT 250mm CENTRES.

25 x 25 x 0.7mm MIN GALVANISED ANGLE CLAMPING THE BARRIER TO THE SUPPORTING ANGLE.

FIRE RATED FIXINGS AND PENNY WASHERS SECURING THE BARRIER TO THE CLAMPING ANGLE AT 600mm CENTRES.

2 BEADS OF FIREFLY™ HIGH TEMPERATURE ADHESIVE.



DETAIL A.
TOP FIX (T-002)

METALLIC PENETRATION.

FIREFLY™ COLLAROLL FLANGE FIT FLUSH TO BARRIER AND SEALED WITH FIREFLY™ HIGH TEMPERATURE ADHESIVE.

COLLAROLL FOLDED OVER AND SECURED TO JOINT WITH 12mm STAPLES AND FIREFLY™ HIGH TEMPERATURE ADHESIVE AS REQUIRED.

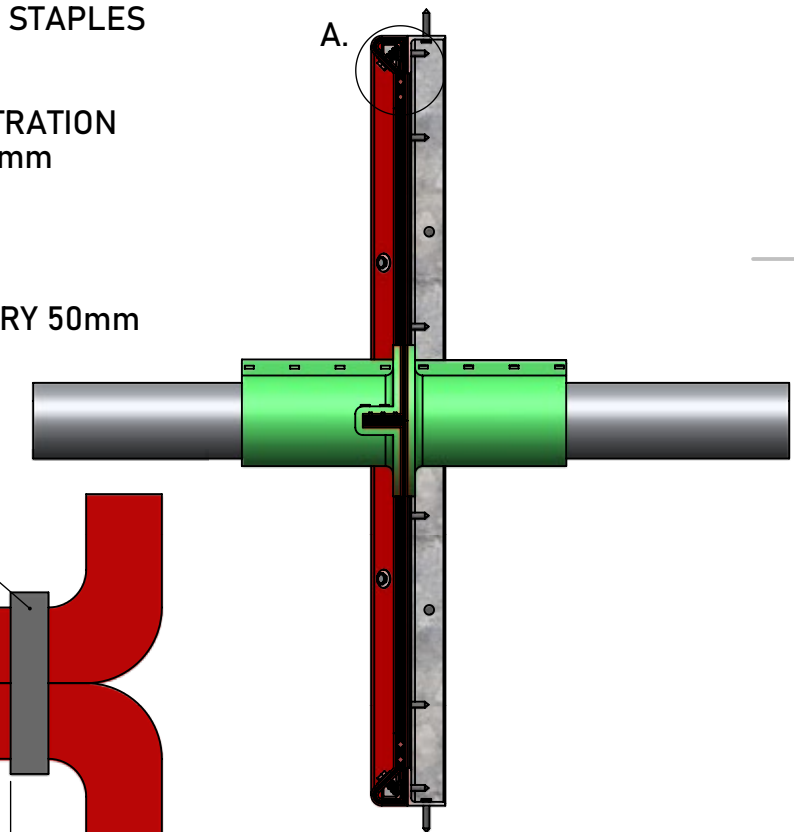
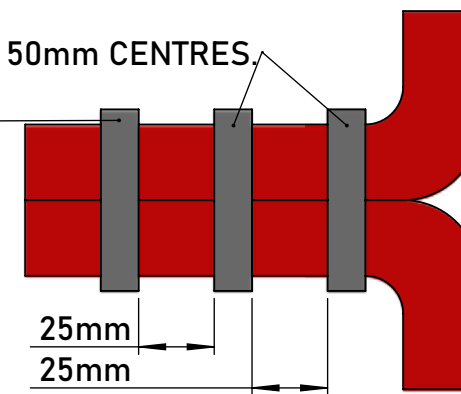
FIREFLY™ COLLAROLL WRAPPED AS POSSIBLE AROUND PENETRATION BEFORE BEING FOLDED OVER AND STAPLED TO ITSELF WITH 12mm STAPLES AT 80mm CENTRES.

BUTT JOINT.
FIXED WITH 2 INNER ROWS OF STAGGERED 12mm STAPLES EVERY 50mm AND AN OUTER ROW AT 150mm CENTRES.

BUTT JOINT DETAILS.

2 ROWS OF 12mm STAPLES STAGGERED AT 50mm CENTRES.

CLOSING STAPLES AT 150mm CENTRES.



FOR LARGER INSTALLATIONS. REFER TO THE RELEVANT PRODUCT DRAWINGS T-017 & T-018.
CONTACT THE MANUFACTURER FOR CLARIFICATION ON NON-STANDARD INSTRUCTIONS.

TITAN LITE™ - GENERAL ASSEMBLY

TBA PROTECTIVE TECHNOLOGIES LTD

ARTIST: JC

DRAWING NO:

UNIT 3, Transpennine Trading Estate, Gorrells Way
Rochdale, OL11 2PX, United Kingdom

APPROVED: DA

T - 001

T: +44 (0)1706 758 817
E: Technical@TBAFIREFLY.com
W: www.tbafirefly.com

DATE: 07/12/2022

REVISION: 1

SCALE: NTS

IN SEQUENCE: 1/1

ALL RIGHTS RESERVED. NO PARTS OF THIS DRAWING MAY BE USED REPRODUCED, ALTERED, STORED IN A RETRIEVAL SYSTEM OR TRANSMITTED IN ANY FORM OR BY ANY MEANS WITHOUT THE PRIOR WRITTEN PERMISSION OF TBA PROTECTIVE TECHNOLOGIES LTD. WHILST EVERY EFFORT HAS BEEN MADE TO COMPLY WITH THE CURRENT STATUTORY REGULATIONS, IT IS THE USER'S RESPONSIBILITY TO ENSURE THAT THE FINAL DETAILING AND INSTALLATION MEETS THE REQUIREMENTS OF RELEVANT REGULATORY AUTHORITY (OFTEN BUILDING CONTROL). PLEASE CHECK www.tbafirefly.com TO ENSURE THAT YOU ARE USING THE CORRECT AND CURRENT VERSION.
COPYRIGHT 2022

