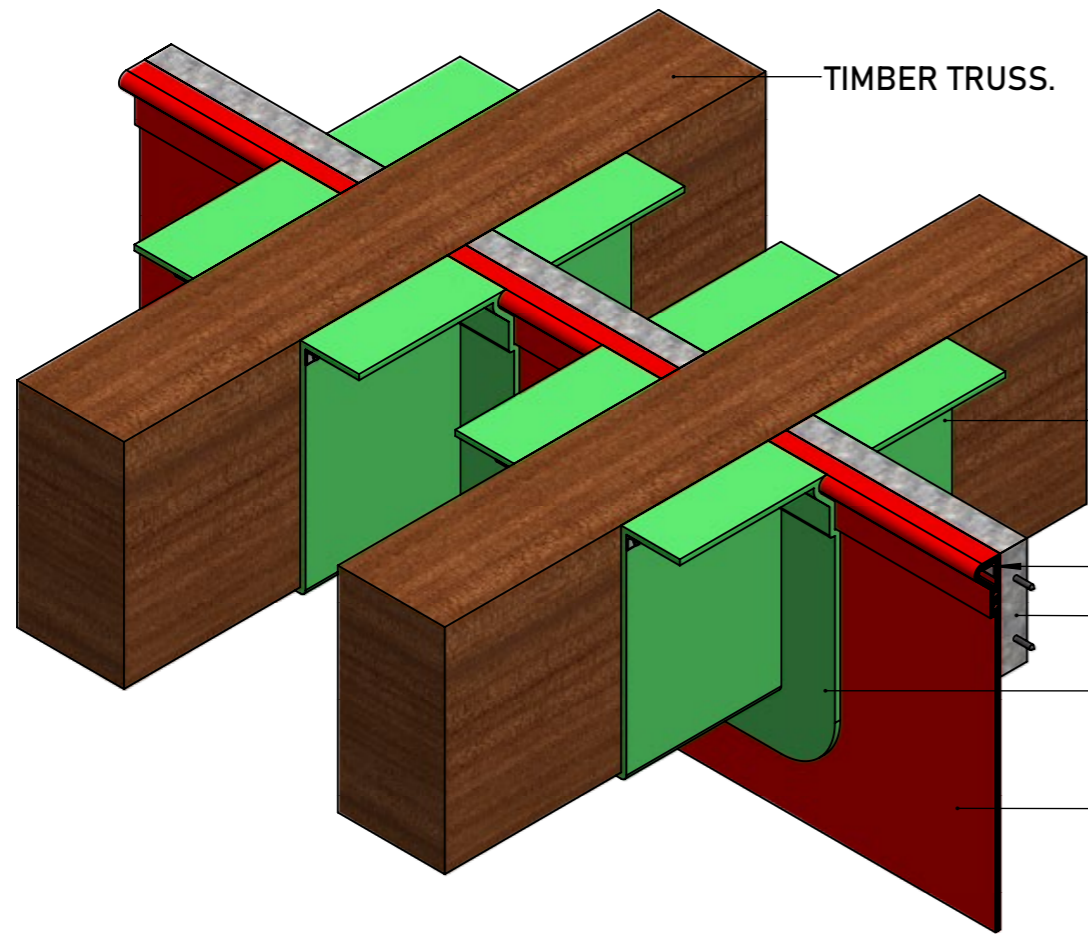


DO NOT SCALE. IF IN DOUBT ASK!



TIMBER TRUSS.

FIREFLY™ COLLAROLL WRAPPED TIGHTLY AROUND I-BEAM.

TOP FIX (T-002).

50 x 50 x 0.7mm ANGLE FIXED INTO TRUSS.

FIREFLY™ COLLAROLL FLANGE FIT FLUSH TO BARRIER AND SEALED WITH FIREFLY™ HIGH TEMPERATURE ADHESIVE.

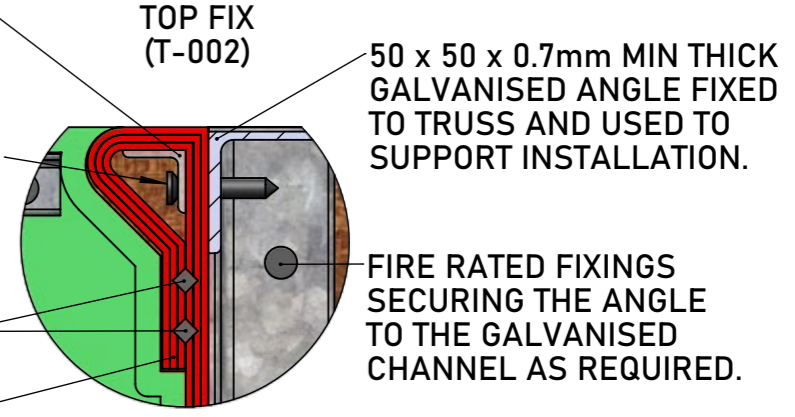
FIREFLY™ TITAN LITE™ BARRIER.

25 x 25 x 0.7mm MIN THICK GALVANISED ANGLE USED TO CLAMP THE BARRIER TO THE SUPPORTING ANGLE.

FIRE RATED FIXINGS SECURING THE CLAMPING ANGLE TO THE SUPPORTING ONE AT 250mm MIN CENTRES.

2 BEADS OF FIREFLY™ HIGH TEMPERATURE ADHESIVE.

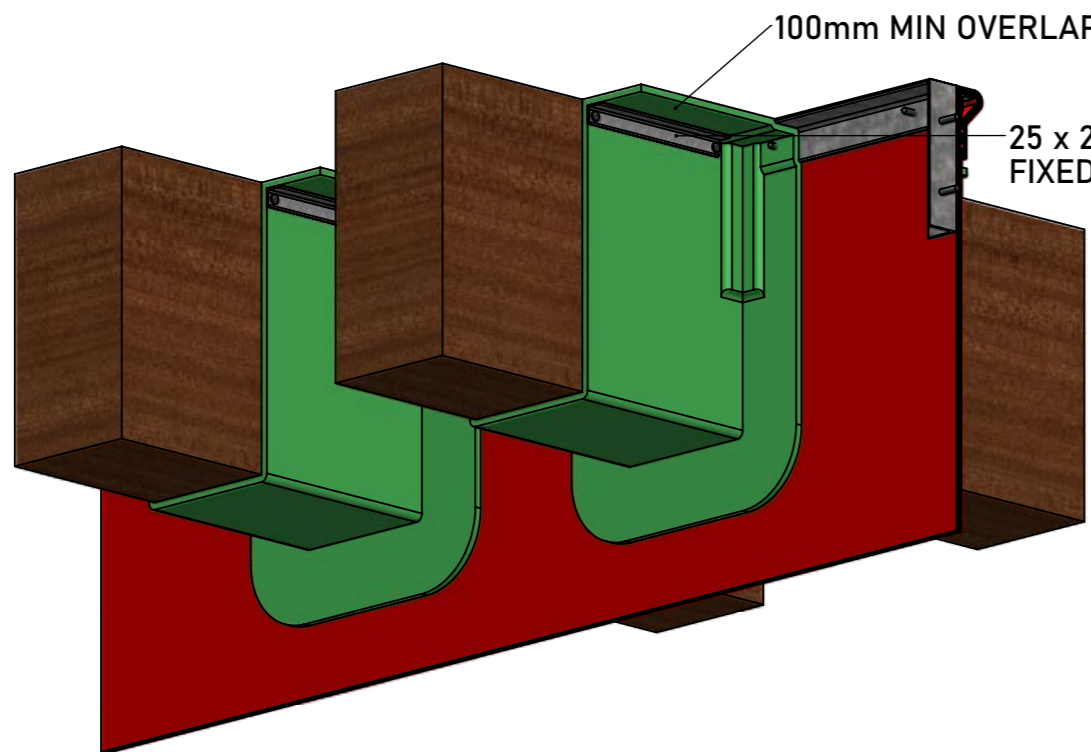
150mm MIN OVERLAP.



TOP FIX (T-002)

50 x 50 x 0.7mm MIN THICK GALVANISED ANGLE FIXED TO TRUSS AND USED TO SUPPORT INSTALLATION.

FIRE RATED FIXINGS SECURING THE ANGLE TO THE GALVANISED CHANNEL AS REQUIRED.

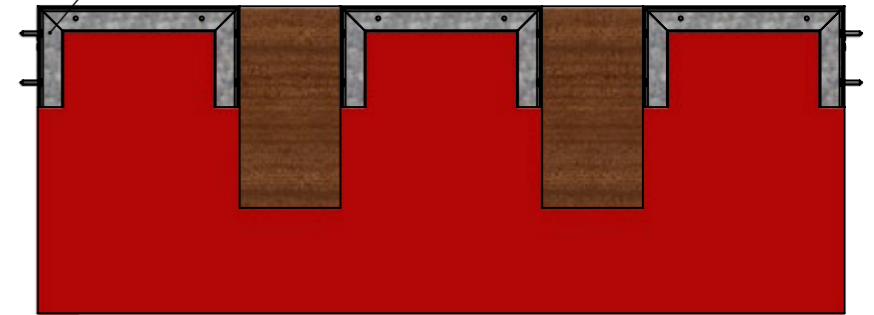
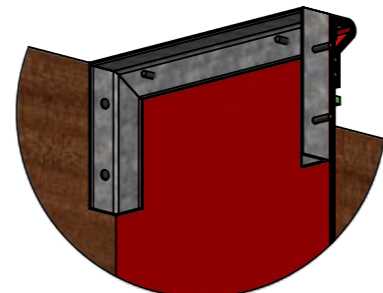


100mm MIN OVERLAP OF COLLAROLL.

25 x 25 x 0.7mm ANGLE USED TO SUPPORT COLLAROLL OVERLAP, FIXED INTO THE TRUSS WITH FIRE RATED FIXINGS AS REQUIRED.

SUPPORT ELEMENT DETAILS (UNDER COLLAROLL)

THE SUPPORTING ANGLE IS SNIPPED AND FIXED TO TRUSS WITH FIRE RATED FIXINGS AS REQUIRED.



TITAN LITE™ - SUPPORT ELEMENT NOT FIXED TO ROOF



ALL RIGHTS RESERVED. NO PARTS OF THIS DRAWING MAY BE USED REPRODUCED, ALTERED, STORED IN A RETRIEVAL SYSTEM OR TRANSMITTED IN ANY FORM OR BY ANY MEANS WITHOUT THE PRIOR WRITTEN PERMISSION OF TBA PROTECTIVE TECHNOLOGIES LTD. WHILST EVERY EFFORT HAS BEEN MADE TO COMPLY WITH THE CURRENT STATUTORY REGULATIONS, IT IS THE USER'S RESPONSIBILITY TO ENSURE THAT THE FINAL DETAILING AND INSTALLATION MEETS THE REQUIREMENTS OF RELEVANT REGULATORY AUTHORITY (OFTEN BUILDING CONTROL). PLEASE CHECK www.tbafirefly.com TO ENSURE THAT YOU ARE USING THE CORRECT AND CURRENT VERSION. COPYRIGHT 2022

TBA PROTECTIVE TECHNOLOGIES LTD
 UNIT 3, Transpennine Trading Estate, Gorrells Way
 Rochdale, OL11 2PX, United Kingdom
 T: +44 (0)1706 758 817
 E: Technical@TBAFIREFLY.com
 W: www.tbafirefly.com

ARTIST: JC
 APPROVED: DA
 DATE: 07/12/2022
 SCALE: NTS

DRAWING NO:
T - 020B
 REVISION: 1
 IN SEQUENCE: 1/1