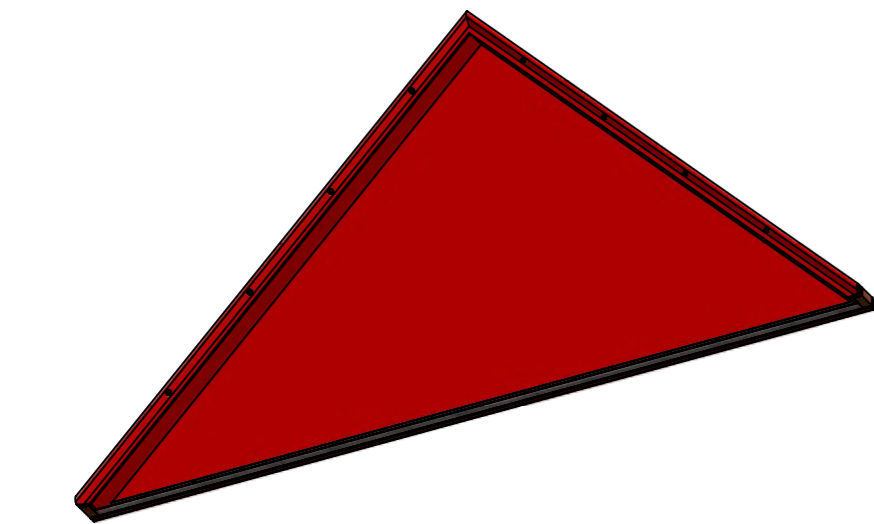
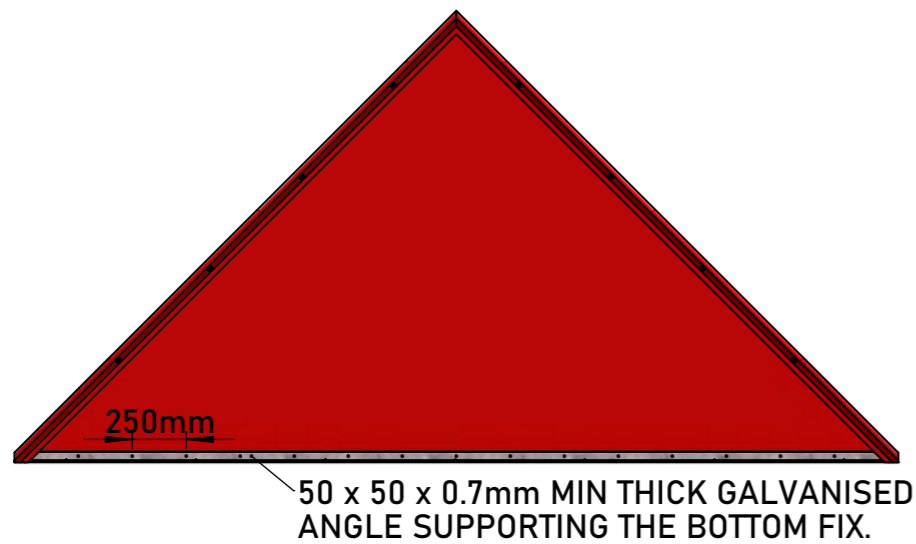
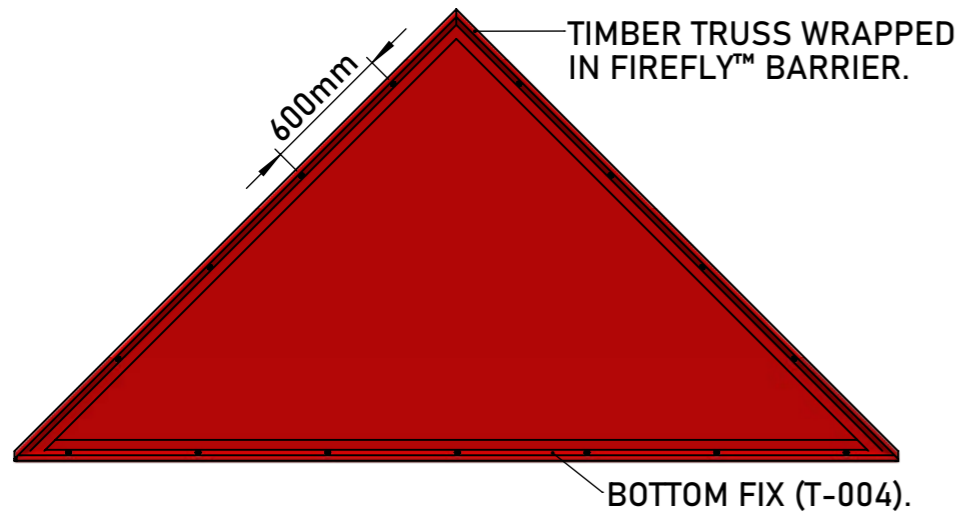


DO NOT SCALE. IF IN DOUBT ASK!



FIXING DETAILS.

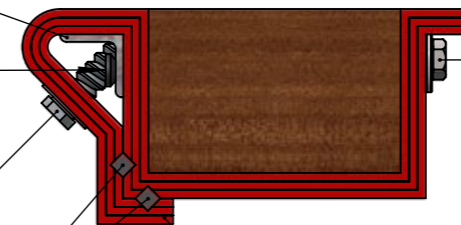
FIRST THE TRUSS IS WRAPPED WITH A TOP AND TEMPORARY FIX.

25 x 25 x 0.7mm MIN THICK GALVANISED ANGLE CLAMPING THE BARRIER TO THE TRUSS.

FIRE RATED FIXINGS SECURING THE ANGLE TO THE TRUSS AT 250mm CENTRES.

FIRE RATED FIXINGS AND PENNY WASHERS SECURE THE BARRIER TO THE ANGLE AT 600mm CENTRES.

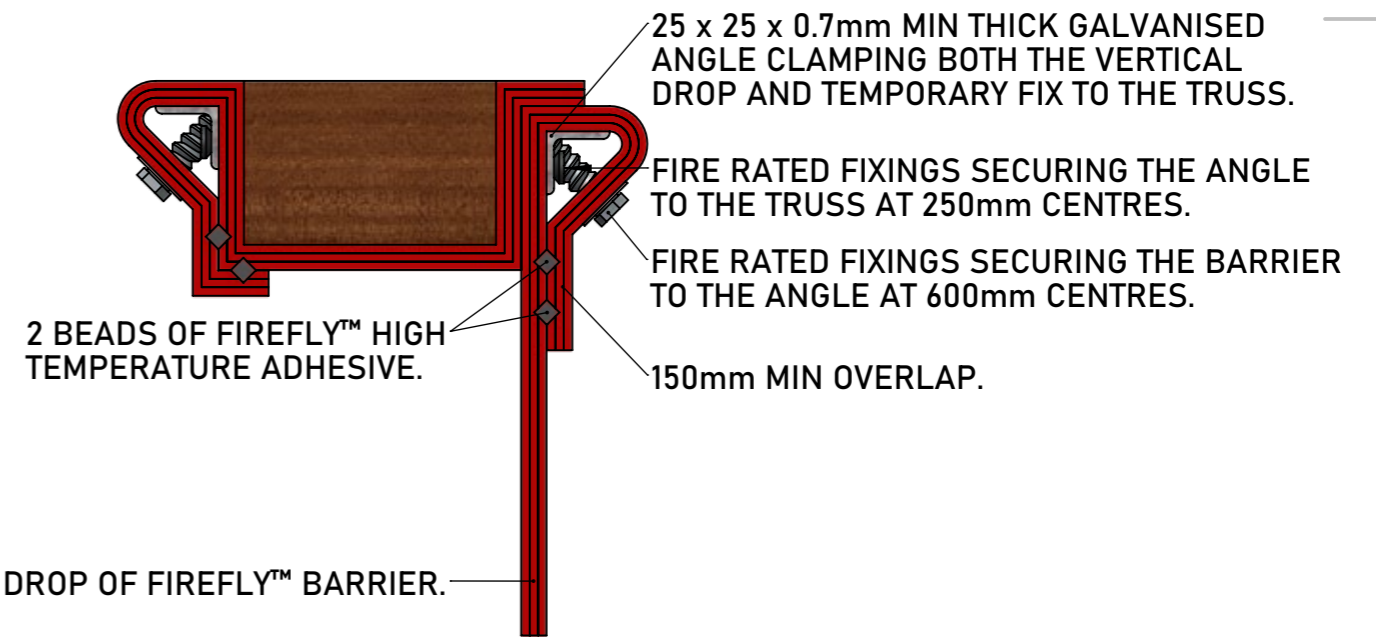
2 BEADS OF FIREFLY™ HIGH TEMPERATURE ADHESIVE.



FIRE RATED FIXINGS AND PENNY WASHERS PROVIDE A TEMPORARY FIX AS REQUIRED.

150mm MIN OVERLAP.

AFTER THE TRUSS HAS BEEN WRAPPED THE VERTICAL DROP IS INSTALLED.



25 x 25 x 0.7mm MIN THICK GALVANISED ANGLE CLAMPING BOTH THE VERTICAL DROP AND TEMPORARY FIX TO THE TRUSS.

FIRE RATED FIXINGS SECURING THE ANGLE TO THE TRUSS AT 250mm CENTRES.

FIRE RATED FIXINGS SECURING THE BARRIER TO THE ANGLE AT 600mm CENTRES.

2 BEADS OF FIREFLY™ HIGH TEMPERATURE ADHESIVE.

150mm MIN OVERLAP.

VERTICAL DROP OF FIREFLY™ BARRIER.

TITAN LITE™ - PITCHED ROOF WRAP WITH VERTICAL DROP

TBA PROTECTIVE TECHNOLOGIES LTD

UNIT 3, Transpennine Trading Estate, Gorrells Way
Rochdale, OL11 2PX, United Kingdom

T: +44 (0)1706 758 817
E: Technical@TBAFIREFLY.com
W: www.tbafirefly.com

ARTIST: JC

APPROVED: DA

DATE: 25/01/2023

SCALE: NTS

DRAWING NO:

T - 022

REVISION: 1

IN SEQUENCE: 1/1

ALL RIGHTS RESERVED. NO PARTS OF THIS DRAWING MAY BE USED REPRODUCED, ALTERED, STORED IN A RETRIEVAL SYSTEM OR TRANSMITTED IN ANY FORM OR BY ANY MEANS WITHOUT THE PRIOR WRITTEN PERMISSION OF TBA PROTECTIVE TECHNOLOGIES LTD. WHILST EVERY EFFORT HAS BEEN MADE TO COMPLY WITH THE CURRENT STATUTORY REGULATIONS, IT IS THE USER'S RESPONSIBILITY TO ENSURE THAT THE FINAL DETAILING AND INSTALLATION MEETS THE REQUIREMENTS OF RELEVANT REGULATORY AUTHORITY (OFTEN BUILDING CONTROL). PLEASE CHECK www.tbafirefly.com TO ENSURE THAT YOU ARE USING THE CORRECT AND CURRENT VERSION. COPYRIGHT 2022

