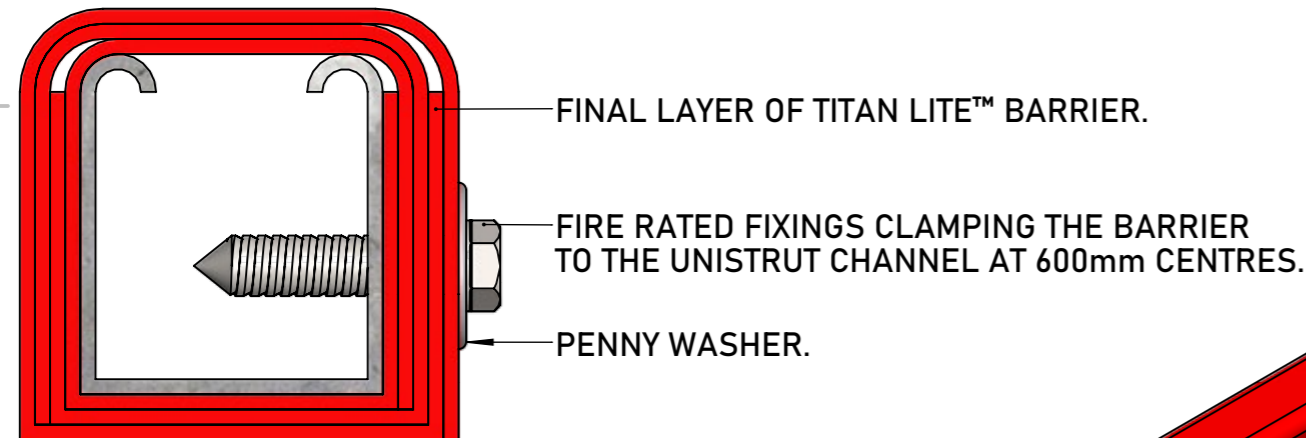
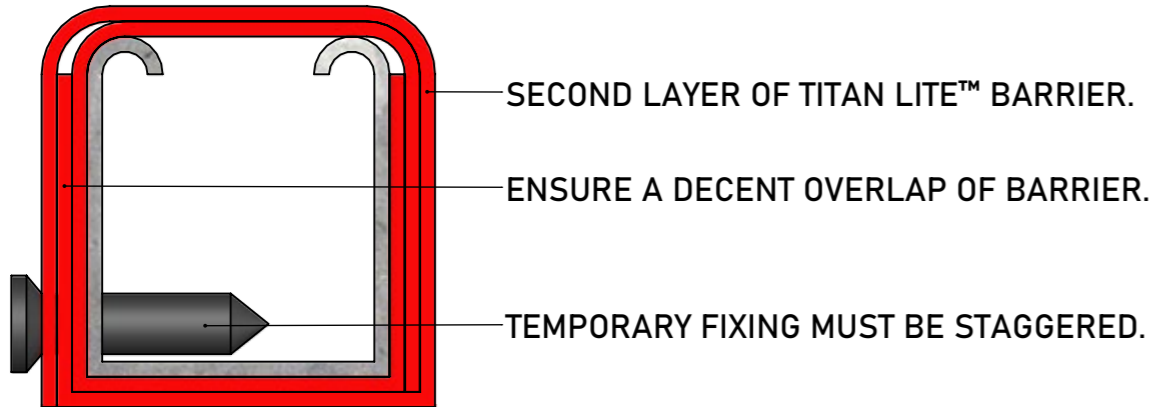
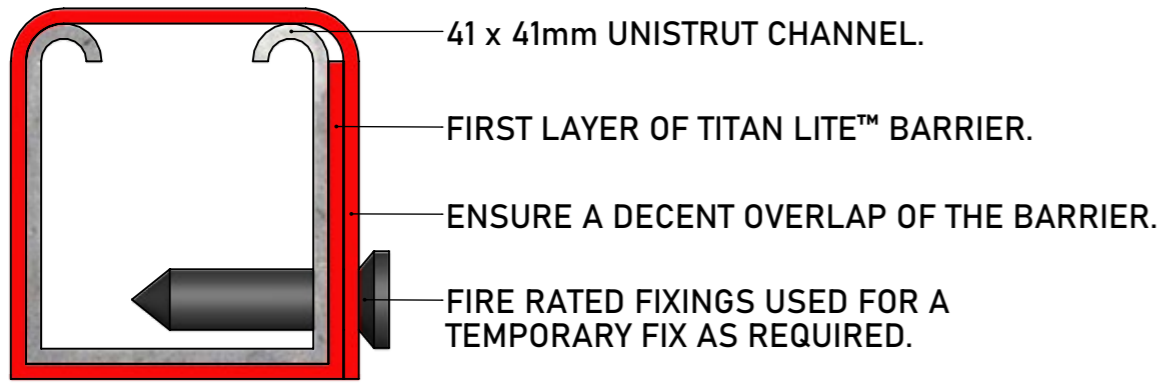
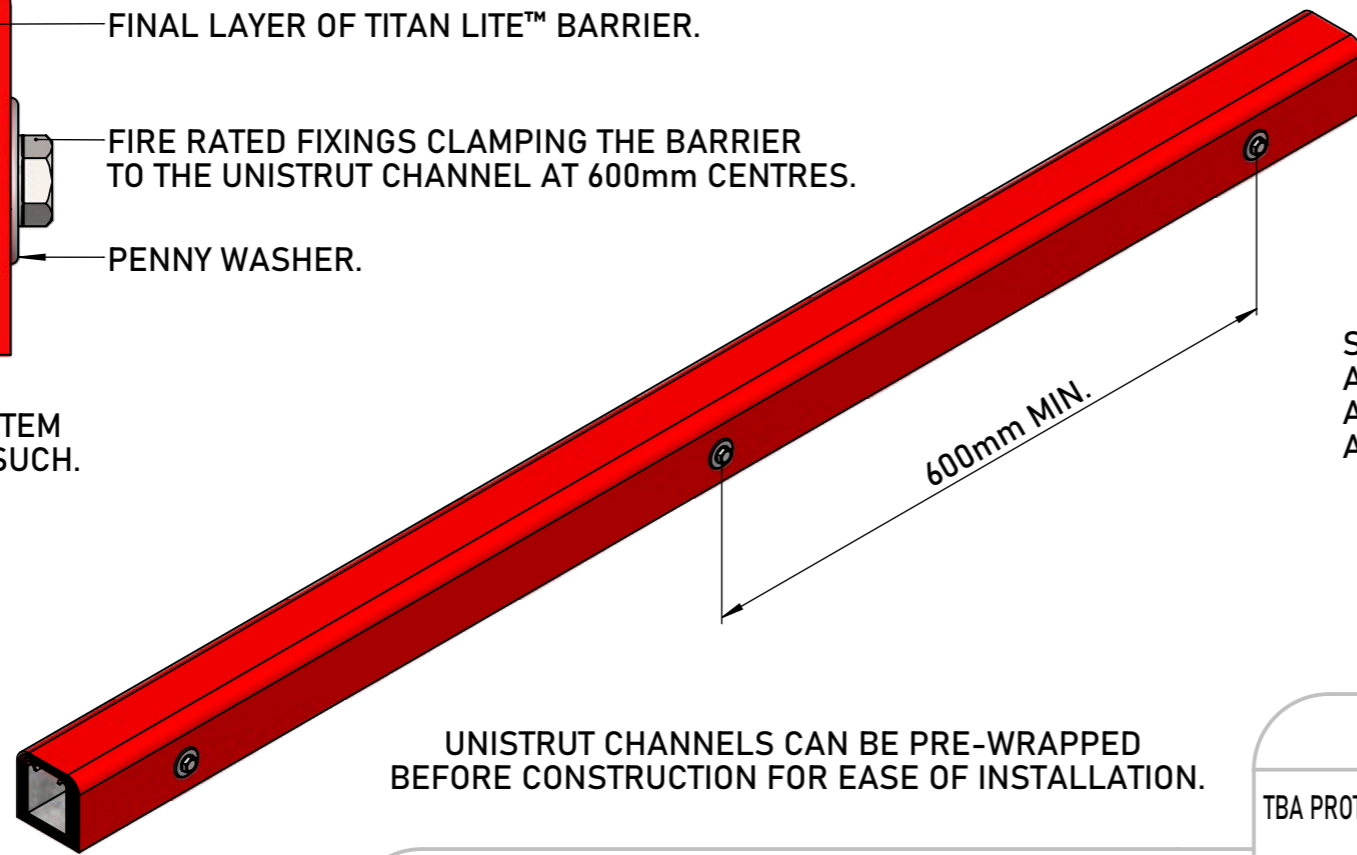


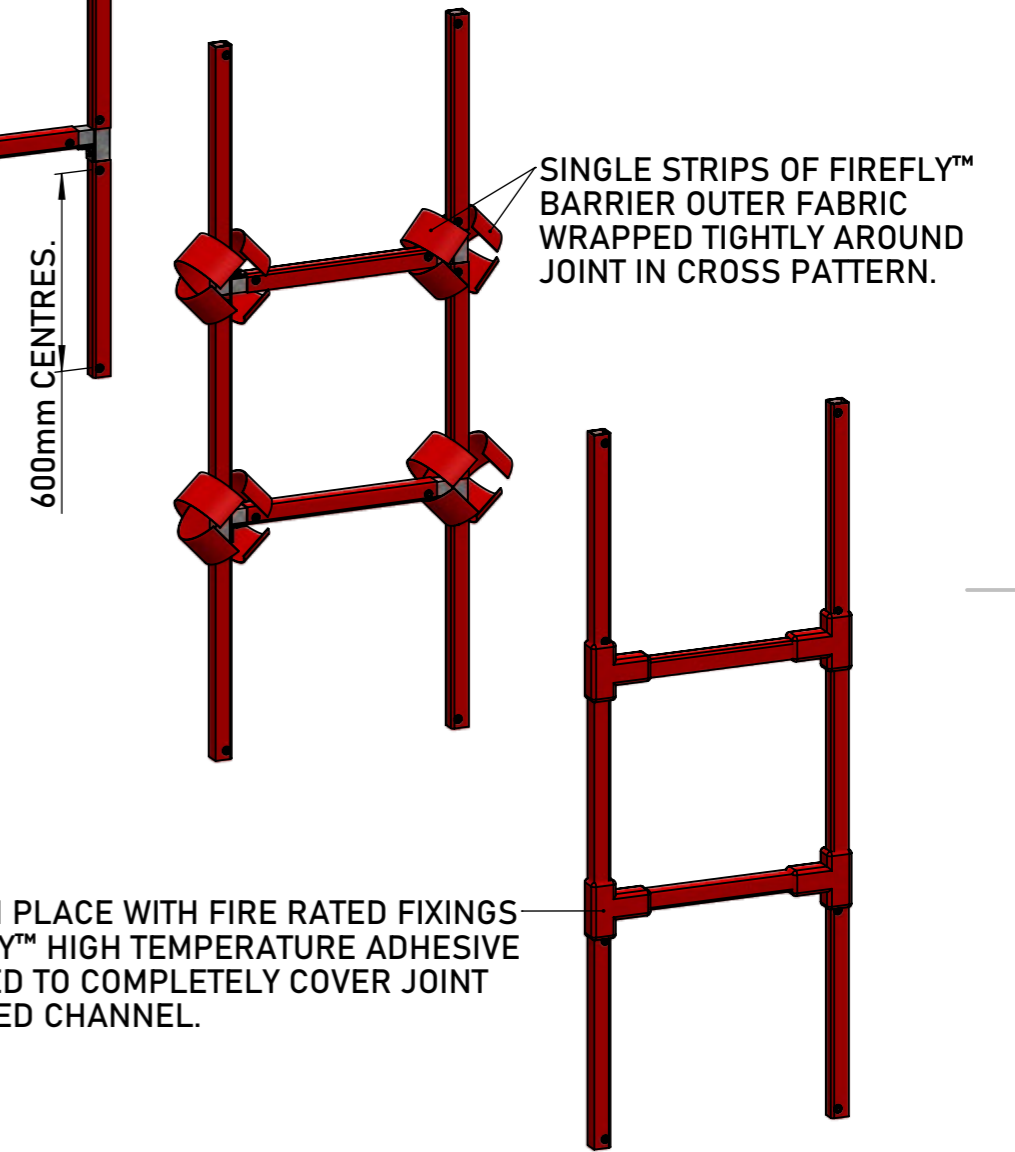
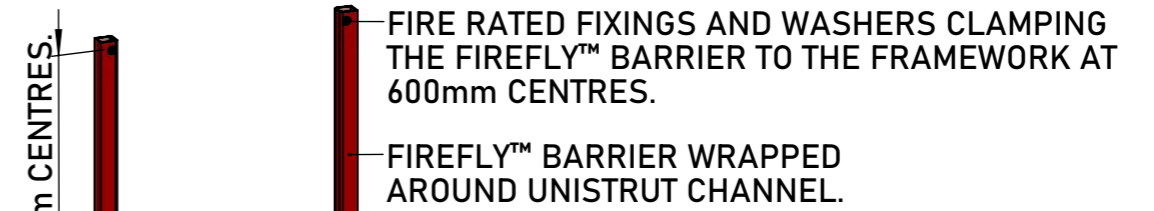
DO NOT SCALE. IF IN DOUBT ASK!



TITAN LITE™ IS A 3 LAYER SYSTEM AND MUST BE INSTALLED AS SUCH.



UNISTRUT CHANNELS CAN BE PRE-WRAPPED BEFORE CONSTRUCTION FOR EASE OF INSTALLATION.



SECURED IN PLACE WITH FIRE RATED FIXINGS AND FIREFLY™ HIGH TEMPERATURE ADHESIVE AS REQUIRED TO COMPLETELY COVER JOINT AND EXPOSED CHANNEL.



ALL RIGHTS RESERVED. NO PARTS OF THIS DRAWING MAY BE USED REPRODUCED, ALTERED, STORED IN A RETRIEVAL SYSTEM OR TRANSMITTED IN ANY FORM OR BY ANY MEANS WITHOUT THE PRIOR WRITTEN PERMISSION OF TBA PROTECTIVE TECHNOLOGIES LTD. WHILST EVERY EFFORT HAS BEEN MADE TO COMPLY WITH THE CURRENT STATUTORY REGULATIONS, IT IS THE USER'S RESPONSIBILITY TO ENSURE THAT THE FINAL DETAILING AND INSTALLATION MEETS THE REQUIREMENTS OF RELEVANT REGULATORY AUTHORITY (OFTEN BUILDING CONTROL). PLEASE CHECK [www.tbafirefly.com](http://www.tbafirefly.com) TO ENSURE THAT YOU ARE USING THE CORRECT AND CURRENT VERSION. COPYRIGHT 2022

### TITAN LITE™ - PROTECTING FRAMEWORK

TBA PROTECTIVE TECHNOLOGIES LTD

UNIT 3, Transpennine Trading Estate, Gorrells Way  
 Rochdale, OL11 2PX, United Kingdom

T: +44 (0)1706 758 817  
 E: [Technical@TBAFIREFLY.com](mailto:Technical@TBAFIREFLY.com)  
 W: [www.tbafirefly.com](http://www.tbafirefly.com)

ARTIST: JC

APPROVED: DA

DATE: 07/12/2022

SCALE: NTS

DRAWING NO:

**T - 402**

REVISION: 1

IN SEQUENCE: 1/1