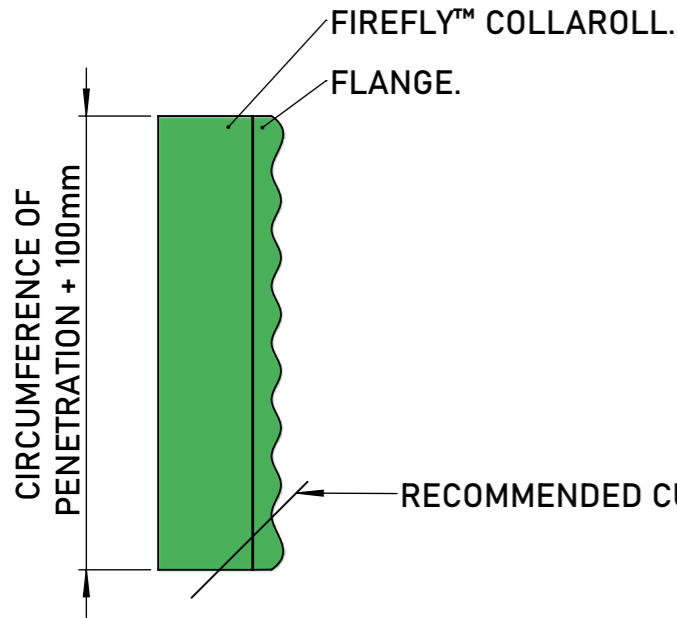
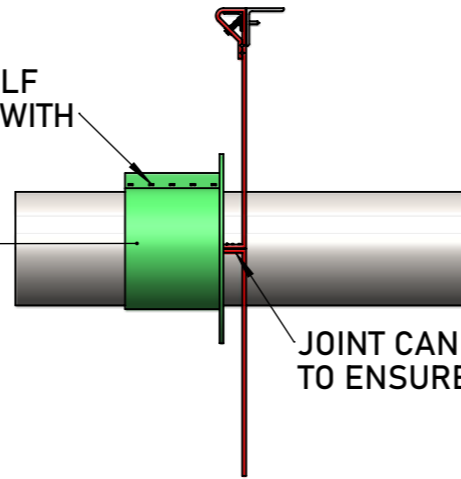


DO NOT SCALE. IF IN DOUBT ASK!



COLLAROLL FIRST SECURED TO ITSELF WITH A 50mm BUTT JOINT SECURED WITH 12mm STAPLES AT 80mm CENTRES.

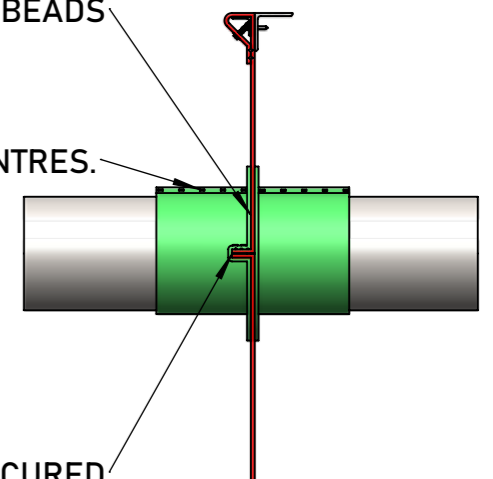
COLLAROLL WRAPPED AS TIGHTLY AS POSSIBLE WRAPPED AROUND PENETRATION.



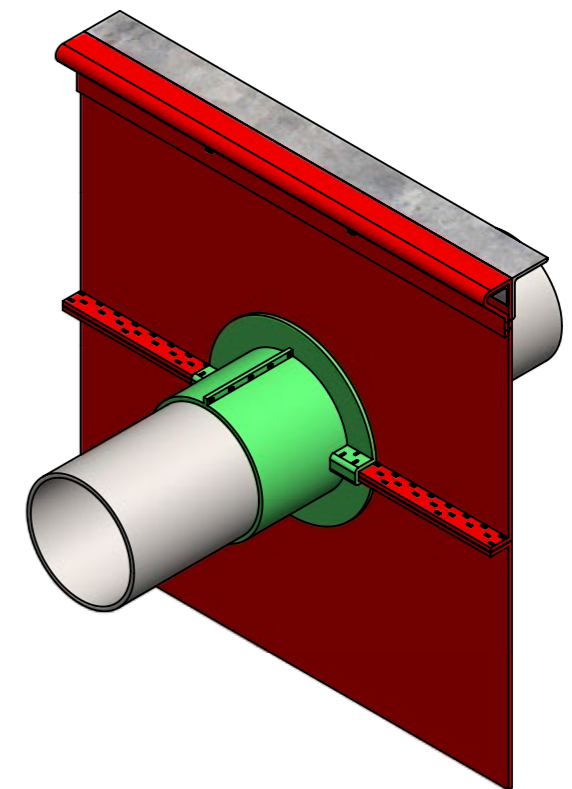
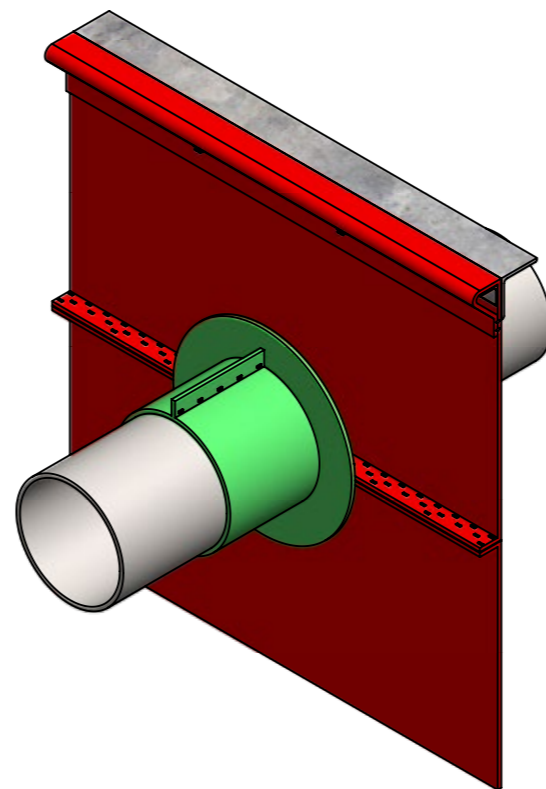
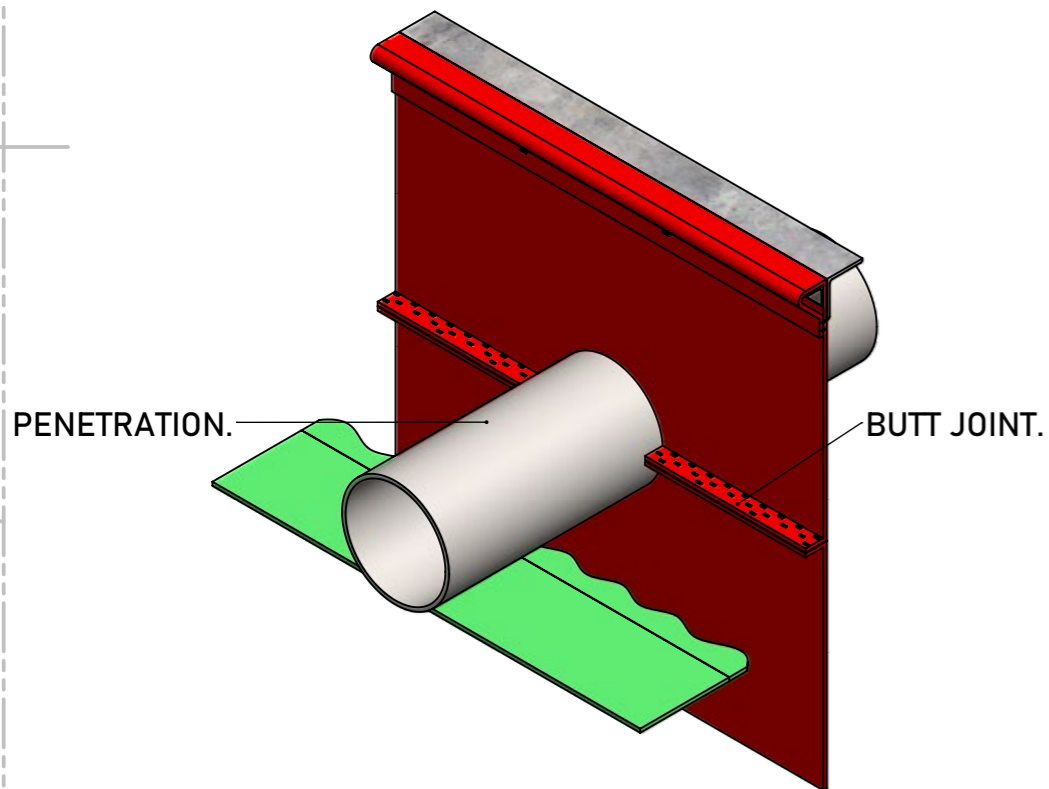
JOINT CAN BE FOLDED FLAT TO BARRIER AS REQUIRED TO ENSURE A GOOD FIT FOR THE COLLAROLL.

FLANGE SEALED FLUSH TO THE BARRIER WITH 2 BEADS OF FIREFLY™ HIGH TEMPERATURE ADHESIVE.

COLLAROLL IS FOLDED OVER AND STAPLED TO ITSELF AGAIN WITH 12mm STAPLES AT 80mm CENTRES.



COLLAROLL IS WRAPPED AROUND JOINT AND SECURED WITH FIREFLY™ HIGH TEMPERATURE ADHESIVE AND 12mm STAPLES AS REQUIRED.



### ZEUS LITE™ - COLLAROLL DETAIL

TBA PROTECTIVE TECHNOLOGIES LTD

UNIT 3, Transpennine Trading Estate, Gorrells Way  
Rochdale, OL11 2PX, United Kingdom

T: +44 (0)1706 758 817  
E: Technical@TBAFIREFLY.com  
W: www.tbafirefly.com

ARTIST: JC

APPROVED: DA

DATE: 07/12/2022

SCALE: NTS

DRAWING NO:

Z - 009

REVISION: 1

IN SEQUENCE: 1/1

ALL RIGHTS RESERVED. NO PARTS OF THIS DRAWING MAY BE USED REPRODUCED, ALTERED, STORED IN A RETRIEVAL SYSTEM OR TRANSMITTED IN ANY FORM OR BY ANY MEANS WITHOUT THE PRIOR WRITTEN PERMISSION OF TBA PROTECTIVE TECHNOLOGIES LTD. WHILST EVERY EFFORT HAS BEEN MADE TO COMPLY WITH THE CURRENT STATUTORY REGULATIONS, IT IS THE USER'S RESPONSIBILITY TO ENSURE THAT THE FINAL DETAILING AND INSTALLATION MEETS THE REQUIREMENTS OF RELEVANT REGULATORY AUTHORITY (OFTEN BUILDING CONTROL). PLEASE CHECK [www.tbafirefly.com](http://www.tbafirefly.com) TO ENSURE THAT YOU ARE USING THE CORRECT AND CURRENT VERSION. COPYRIGHT 2022

