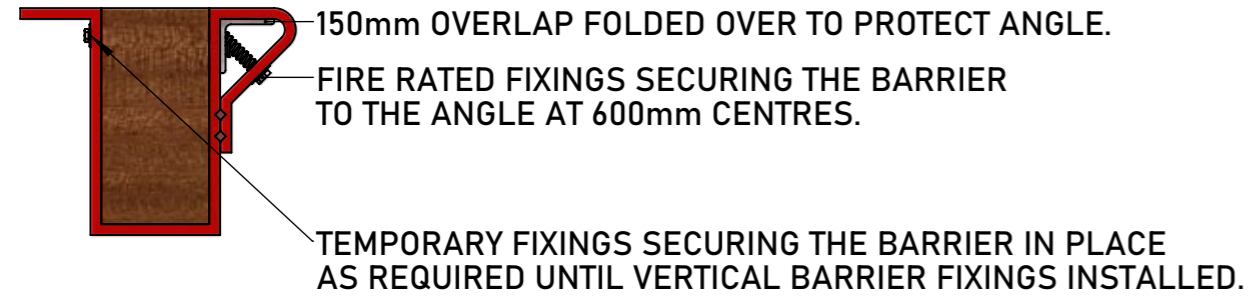
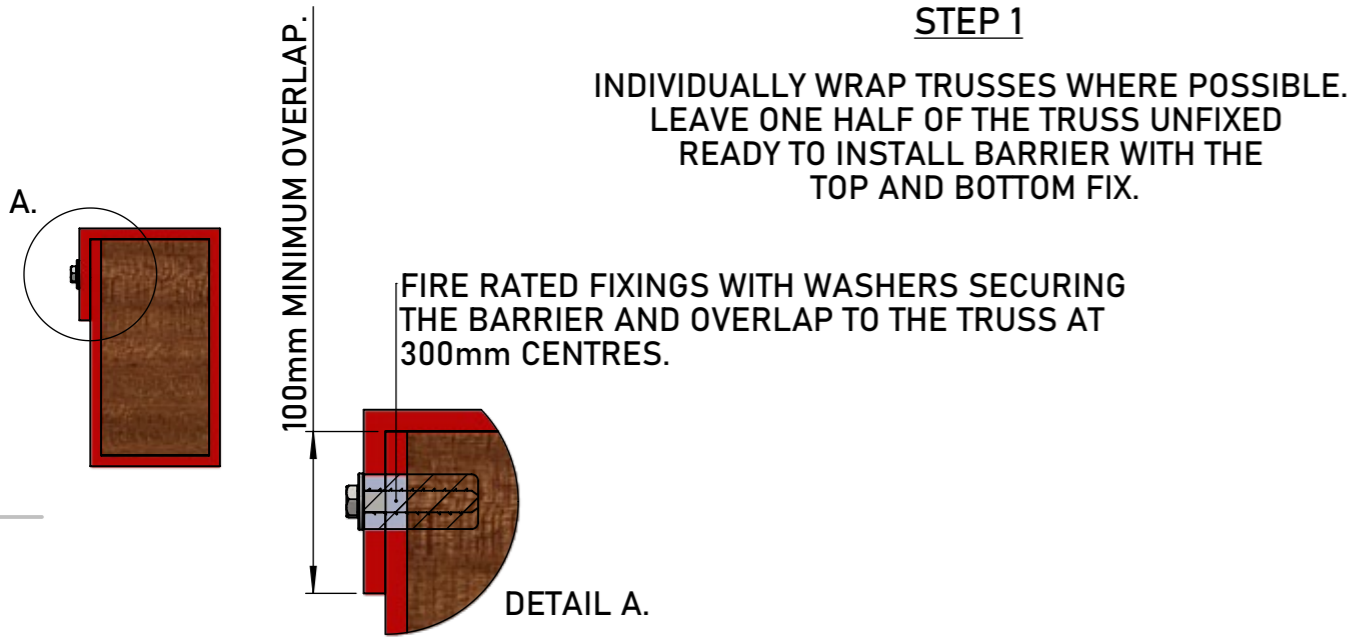
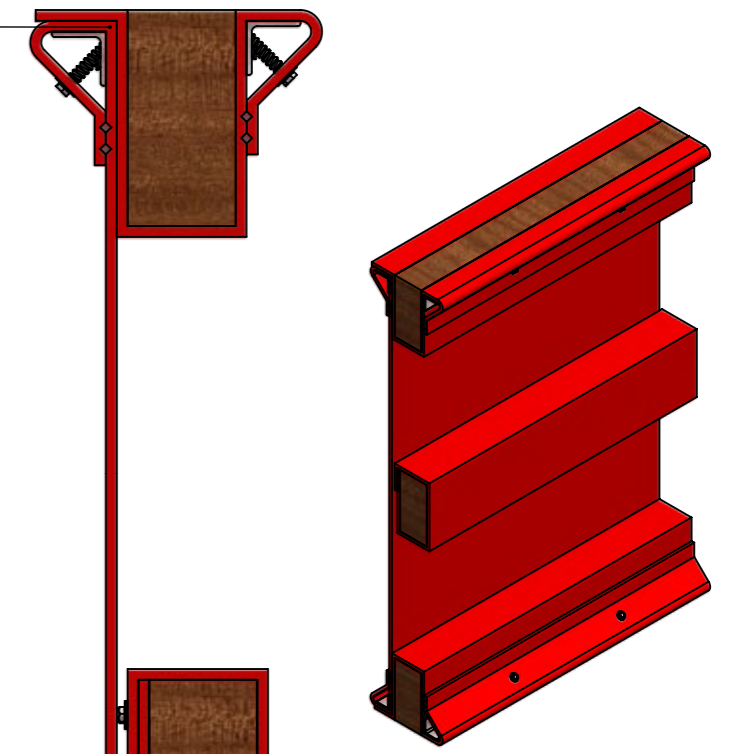


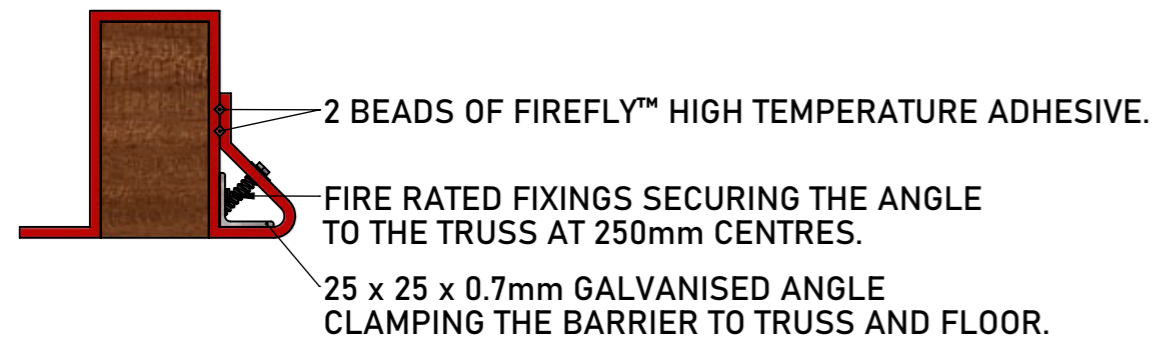
DO NOT SCALE. IF IN DOUBT ASK!



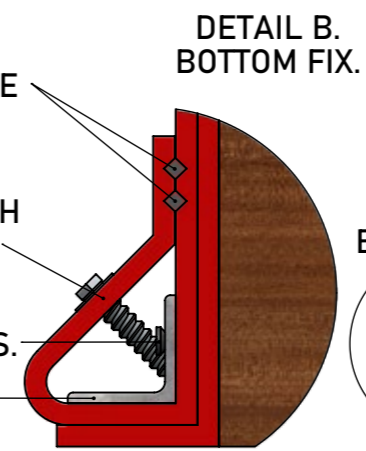
TOP FIX DETAIL SAME AS BOTTOM FIX. (DETAIL B).



STEP 2
 APPLY THE TOP AND BOTTOM FIT TO CREATE DESIRED BARRIER. ENSURE THE LOOSE BARRIER FROM THE FIRST FIXINGS CLAMPED IN PLACE ALONGSIDE THE TOP AND BOTTOM FIXING.



2 BEADS OF FIREFLY™ HIGH TEMPERATURE ADHESIVE.
 150mm MINIMUM OVERLAP FOLDED BACK TO COVER ANGLE SECURED IN PLACE WITH FIRE RATED FIXINGS AT 600mm CENTRES.
 FIRE RATED FIXINGS SECURING THE ANGLE TO THE TRUSS AT 250mm CENTRES.
 25 x 25 x 0.7mm GALVANISED ANGLE CLAMPING BOTH SETS OF BARRIER TO THE TRUSS AND FLOOR.



ZEUS LITE™ - TIMBER TRUSS WRAPPED

TBA PROTECTIVE TECHNOLOGIES LTD UNIT 3, Transpennine Trading Estate, Gorrells Way Rochdale, OL11 2PX, United Kingdom T: +44 (0)1706 758 817 E: Technical@TBAFIREFLY.com W: www.tbafirefly.com	ARTIST: JC	DRAWING NO:
	APPROVED: DA	Z - 012
	DATE: 07/12/2022	REVISION: 1
	SCALE: NTS	IN SEQUENCE: 1/1



ALL RIGHTS RESERVED. NO PARTS OF THIS DRAWING MAY BE USED REPRODUCED, ALTERED, STORED IN A RETRIEVAL SYSTEM OR TRANSMITTED IN ANY FORM OR BY ANY MEANS WITHOUT THE PRIOR WRITTEN PERMISSION OF TBA PROTECTIVE TECHNOLOGIES LTD. WHILST EVERY EFFORT HAS BEEN MADE TO COMPLY WITH THE CURRENT STATUTORY REGULATIONS, IT IS THE USER'S RESPONSIBILITY TO ENSURE THAT THE FINAL DETAILING AND INSTALLATION MEETS THE REQUIREMENTS OF RELEVANT REGULATORY AUTHORITY (OFTEN BUILDING CONTROL). PLEASE CHECK www.tbafirefly.com TO ENSURE THAT YOU ARE USING THE CORRECT AND CURRENT VERSION. COPYRIGHT 2022