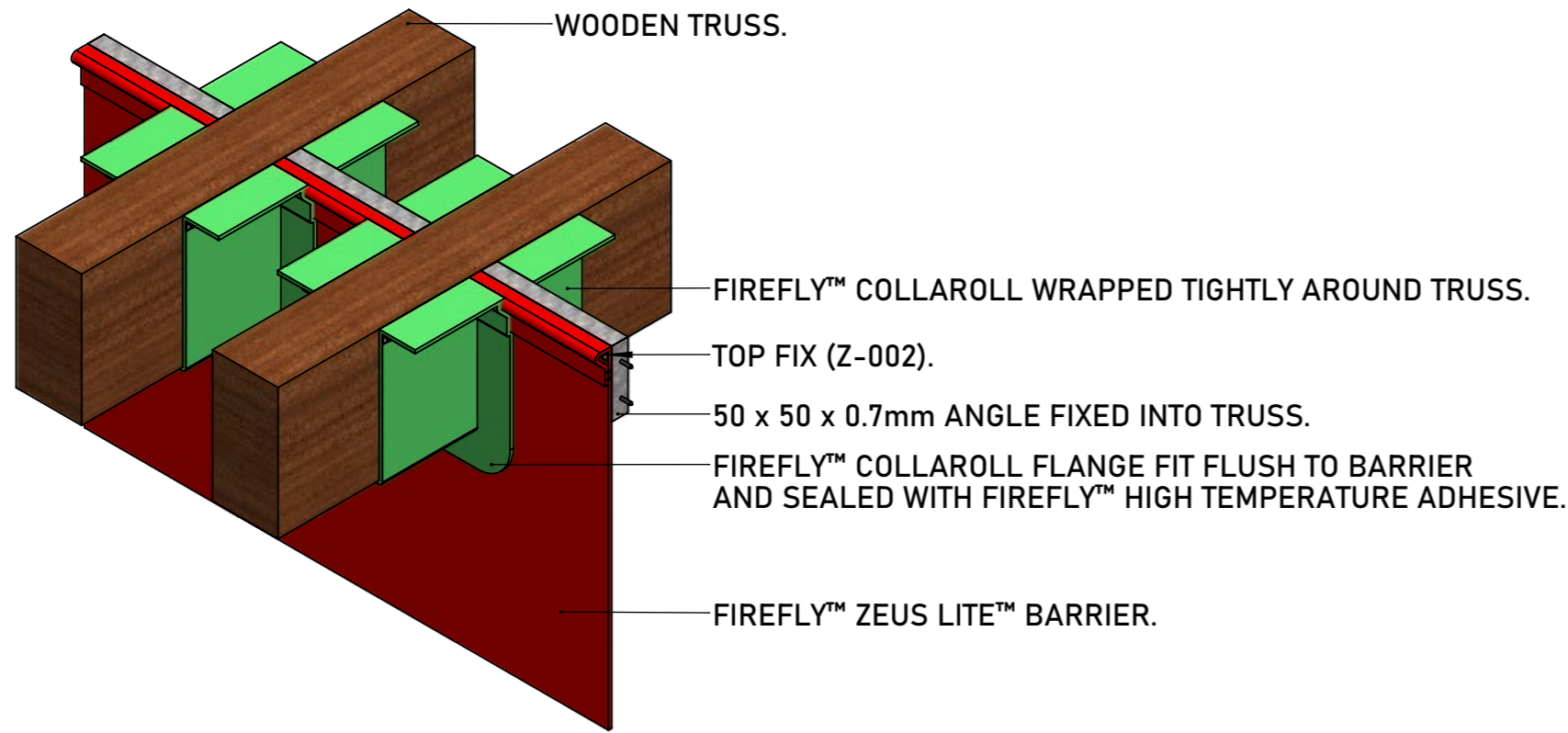


DO NOT SCALE. IF IN DOUBT ASK!

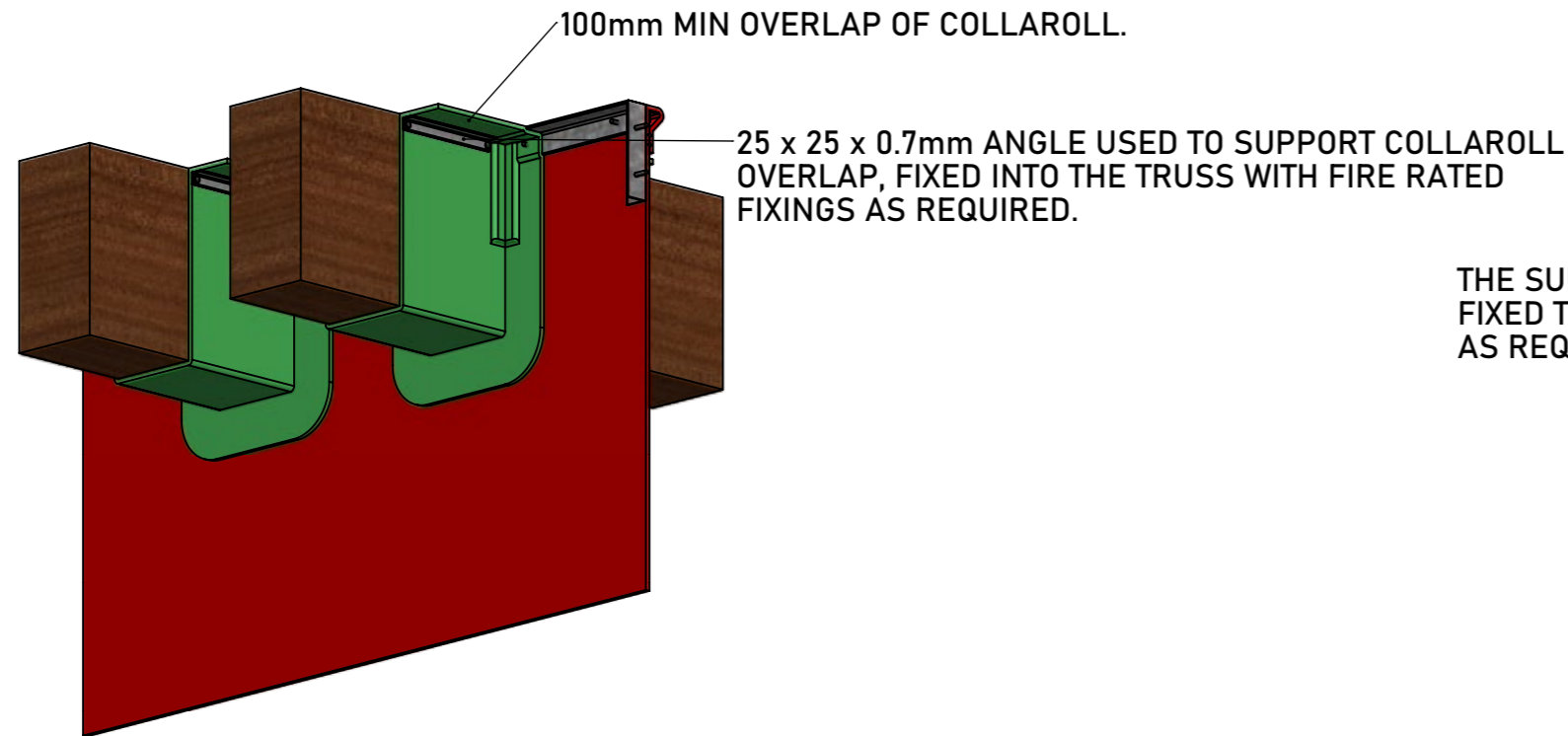
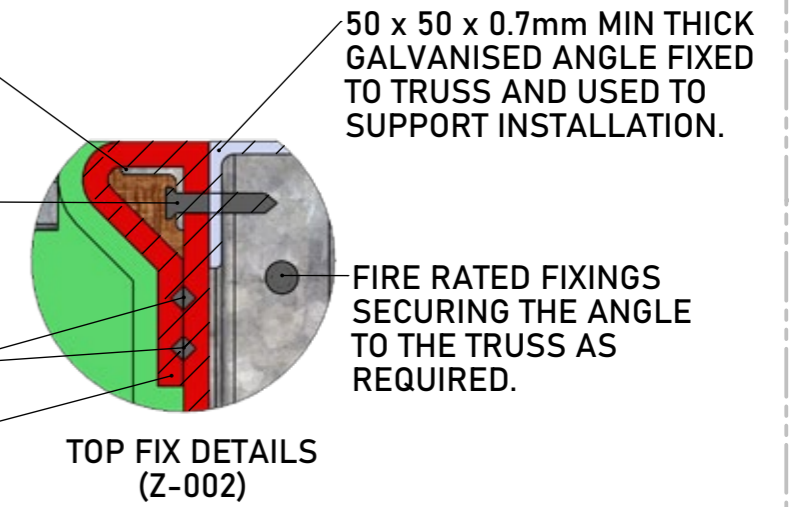


25 x 25 x 0.7mm MIN THICK GALVANISED ANGLE USED TO CLAMP THE BARRIER TO THE SUPPORTING ANGLE.

FIRE RATED FIXINGS SECURING THE CLAMPING ANGLE TO THE SUPPORTING ONE AT 250mm MIN CENTRES.

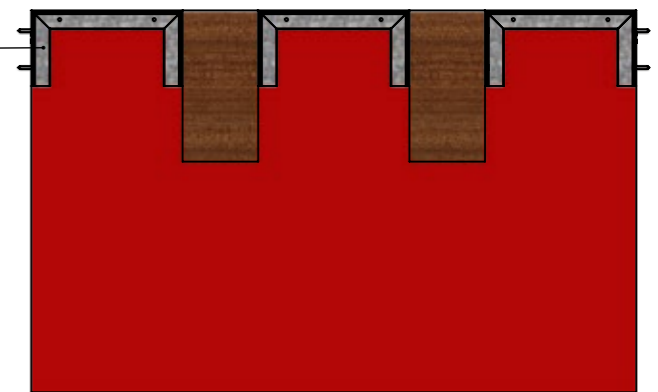
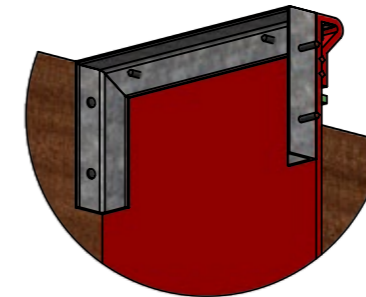
2 BEADS OF FIREFLY™ HIGH TEMPERATURE ADHESIVE.

150mm MIN OVERLAP.



SUPPORT ELEMENT DETAILS. (BEFORE COLLAROLL)

THE SUPPORTING ANGLE IS SNIPPED AND FIXED TO TRUSS WITH FIRE RATED FIXINGS AS REQUIRED.



ZEUS LITE™ - SUPPORT ELEMENT NOT FIXED TO ROOF

TBA PROTECTIVE TECHNOLOGIES LTD

UNIT 3, Transpennine Trading Estate, Gorrells Way
Rochdale, OL11 2PX, United Kingdom

T: +44 (0)1706 758 817
E: Technical@TBAFIREFLY.com
W: www.tbafirefly.com

ARTIST: JC

APPROVED: DA

DATE: 07/12/2022

SCALE: NTS

DRAWING NO:

Z - 020B

REVISION: 1

IN SEQUENCE: 1/1

ALL RIGHTS RESERVED. NO PARTS OF THIS DRAWING MAY BE USED REPRODUCED, ALTERED, STORED IN A RETRIEVAL SYSTEM OR TRANSMITTED IN ANY FORM OR BY ANY MEANS WITHOUT THE PRIOR WRITTEN PERMISSION OF TBA PROTECTIVE TECHNOLOGIES LTD. WHILST EVERY EFFORT HAS BEEN MADE TO COMPLY WITH THE CURRENT STATUTORY REGULATIONS, IT IS THE USER'S RESPONSIBILITY TO ENSURE THAT THE FINAL DETAILING AND INSTALLATION MEETS THE REQUIREMENTS OF RELEVANT REGULATORY AUTHORITY (OFTEN BUILDING CONTROL). PLEASE CHECK www.tbafirefly.com TO ENSURE THAT YOU ARE USING THE CORRECT AND CURRENT VERSION. COPYRIGHT 2022

