

7 6 5 4 3 2 1

DO NOT SCALE. IF IN DOUBT ASK!

F F

25 x 25 x 0.7mm MIN GALVANISED ANGLE
CLAMPING THE COLLAROLL TO THE I BEAM.

FIRE RATED FIXINGS SECURING THE CLAMPING
ANGLE TO THE COLLAROLL.

100mm OVERLAP OF FIREFLY™ COLLAROLL.

I BEAM PENETRATION.

TOP FIX (Z-002).

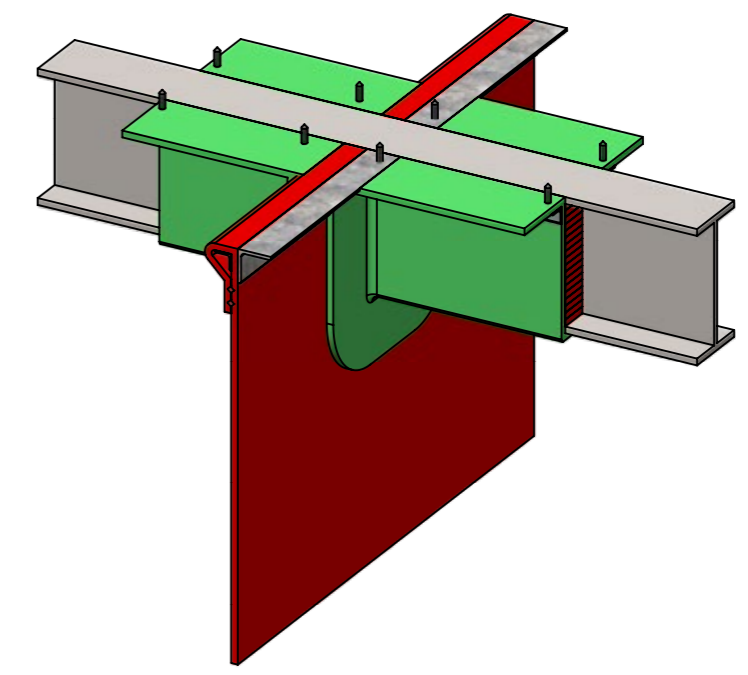
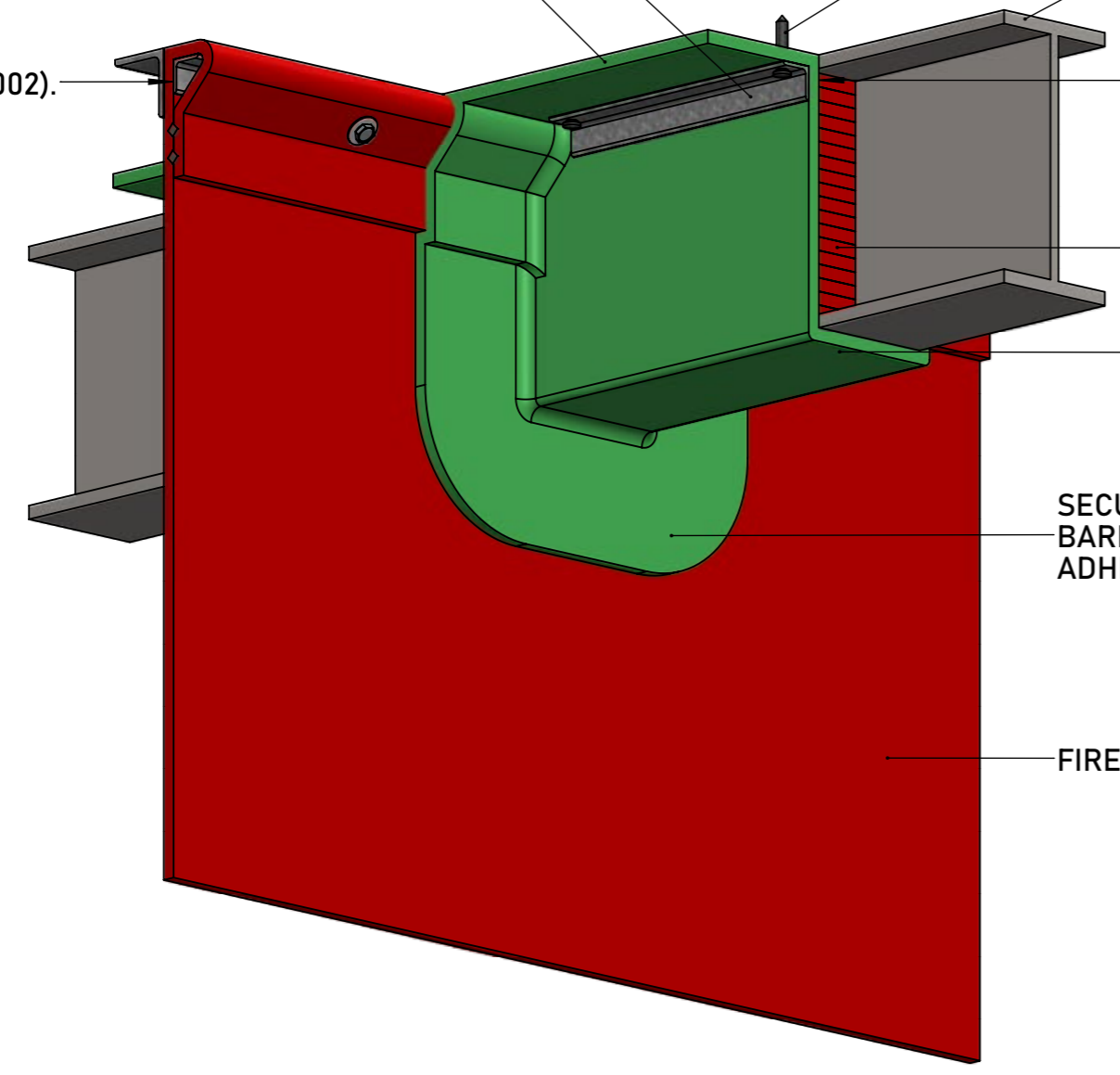
IF YOU THE COLLAROLL FLANGE CANT BE FIXED FROM ABOVE
ADDITIONAL GALVANISED ANGLE/ CHANNEL CAN BE FIXED TO
THE I-BEAM TO ACCOMMODATE THE COLLAROLL FIXINGS.

VOID TO BE PACKED OUT WITH FIREFLY™ ZEUS LITE BARRIER,
300mm FROM EITHER SIDE OF SIDE OF BARRIER.

FIREFLY™ COLLAROLL FITTED AS TIGHT AS POSSIBLE
AROUND THE PENETRATING I BEAM.

SECURE THE FLANGE FLUSH TO THE FIREFLY™
BARRIER USING FIREFLY™ HIGH TEMPERATURE
ADHESIVE.

FIREFLY™ ZEUS LITE BARRIER.



FOR FIXING INTO/AROUND INTUMESCENT BEAMS
PLEASE CONTACT PAINT MANUFACTURERS.

ZEUS LITE - I BEAM PENETRATION

TBA PROTECTIVE TECHNOLOGIES LTD

ARTIST: JC

DRAWING NO:

UNIT 3, Transpennine Trading Estate, Gorrells Way
Rochdale, OL11 2PX, United Kingdom

APPROVED: DA

Z - 202

T: +44 (0)1706 758 817
E: Technical@TBAFIREFLY.com
W: www.tbafirefly.com

DATE: 25/01/2023

REVISION: 1

SCALE: NTS

IN SEQUENCE: 1/1

ALL RIGHTS RESERVED. NO PARTS OF THIS DRAWING MAY BE USED REPRODUCED, ALTERED, STORED IN A RETRIEVAL SYSTEM OR TRANSMITTED IN ANY FORM OR BY ANY MEANS WITHOUT THE PRIOR WRITTEN PERMISSION OF TBA PROTECTIVE TECHNOLOGIES LTD. WHILST EVERY EFFORT HAS BEEN MADE TO COMPLY WITH THE CURRENT STATUTORY REGULATIONS, IT IS THE USER'S RESPONSIBILITY TO ENSURE THAT THE FINAL DETAILING AND INSTALLATION MEETS THE REQUIREMENTS OF RELEVANT REGULATORY AUTHORITY (OFTEN BUILDING CONTROL). PLEASE CHECK www.tbafirefly.com TO ENSURE THAT YOU ARE USING THE CORRECT AND CURRENT VERSION. COPYRIGHT 2022



A A

7 6 5 4 3 2 1