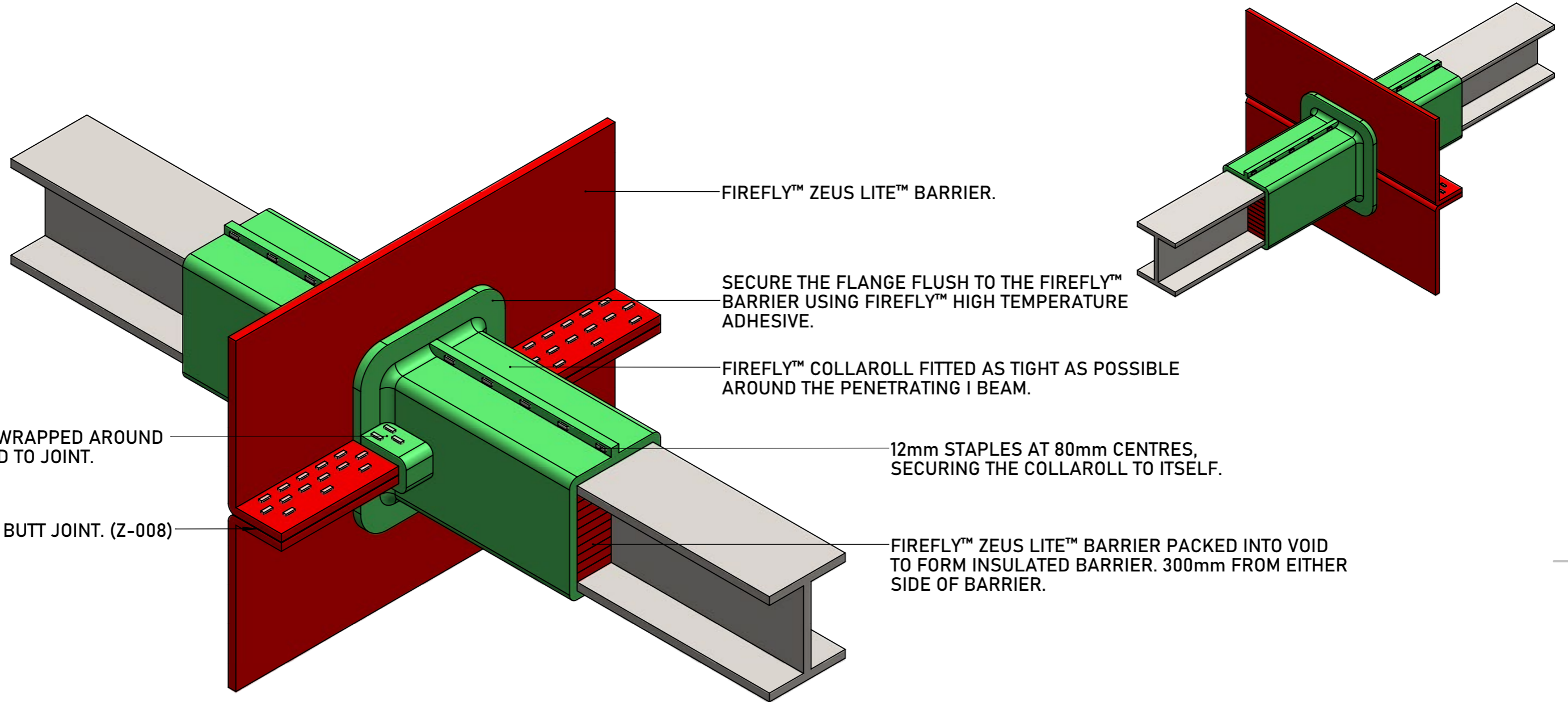


DO NOT SCALE. IF IN DOUBT ASK!



COLLAROLL WRAPPED AROUND AND STAPLED TO JOINT.

BUTT JOINT. (Z-008)

FIREFLY™ ZEUS LITE™ BARRIER.

SECURE THE FLANGE FLUSH TO THE FIREFLY™ BARRIER USING FIREFLY™ HIGH TEMPERATURE ADHESIVE.

FIREFLY™ COLLAROLL FITTED AS TIGHT AS POSSIBLE AROUND THE PENETRATING I BEAM.

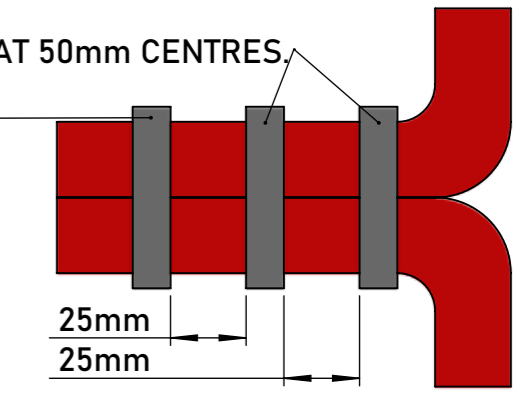
12mm STAPLES AT 80mm CENTRES, SECURING THE COLLAROLL TO ITSELF.

FIREFLY™ ZEUS LITE™ BARRIER PACKED INTO VOID TO FORM INSULATED BARRIER. 300mm FROM EITHER SIDE OF BARRIER.

FOR FIXING INTO INTUMESCENT BEAMS PLEASE CONTACT PAINT MANUFACTURERS.

2 ROWS OF 12mm STAPLES STAGGERED AT 50mm CENTRES CLOSING STAPLES AT 150mm CENTRES.

BUTT JOINT DETAILS.



ZEUS LITE™ - I BEAM PENETRATION

TBA PROTECTIVE TECHNOLOGIES LTD UNIT 3, Transpennine Trading Estate, Gorrells Way Rochdale, OL11 2PX, United Kingdom T: +44 (0)1706 758 817 E: Technical@TBAFIREFLY.com W: www.tbafirefly.com	ARTIST: JC	DRAWING NO:
	APPROVED: DA	Z - 202B
	DATE: 07/12/2022	REVISION: 1
	SCALE: NTS	IN SEQUENCE: 1/1



ALL RIGHTS RESERVED. NO PARTS OF THIS DRAWING MAY BE USED REPRODUCED, ALTERED, STORED IN A RETRIEVAL SYSTEM OR TRANSMITTED IN ANY FORM OR BY ANY MEANS WITHOUT THE PRIOR WRITTEN PERMISSION OF TBA PROTECTIVE TECHNOLOGIES LTD. WHILST EVERY EFFORT HAS BEEN MADE TO COMPLY WITH THE CURRENT STATUTORY REGULATIONS, IT IS THE USER'S RESPONSIBILITY TO ENSURE THAT THE FINAL DETAILING AND INSTALLATION MEETS THE REQUIREMENTS OF RELEVANT REGULATORY AUTHORITY (OFTEN BUILDING CONTROL). PLEASE CHECK www.tbafirefly.com TO ENSURE THAT YOU ARE USING THE CORRECT AND CURRENT VERSION. COPYRIGHT 2022