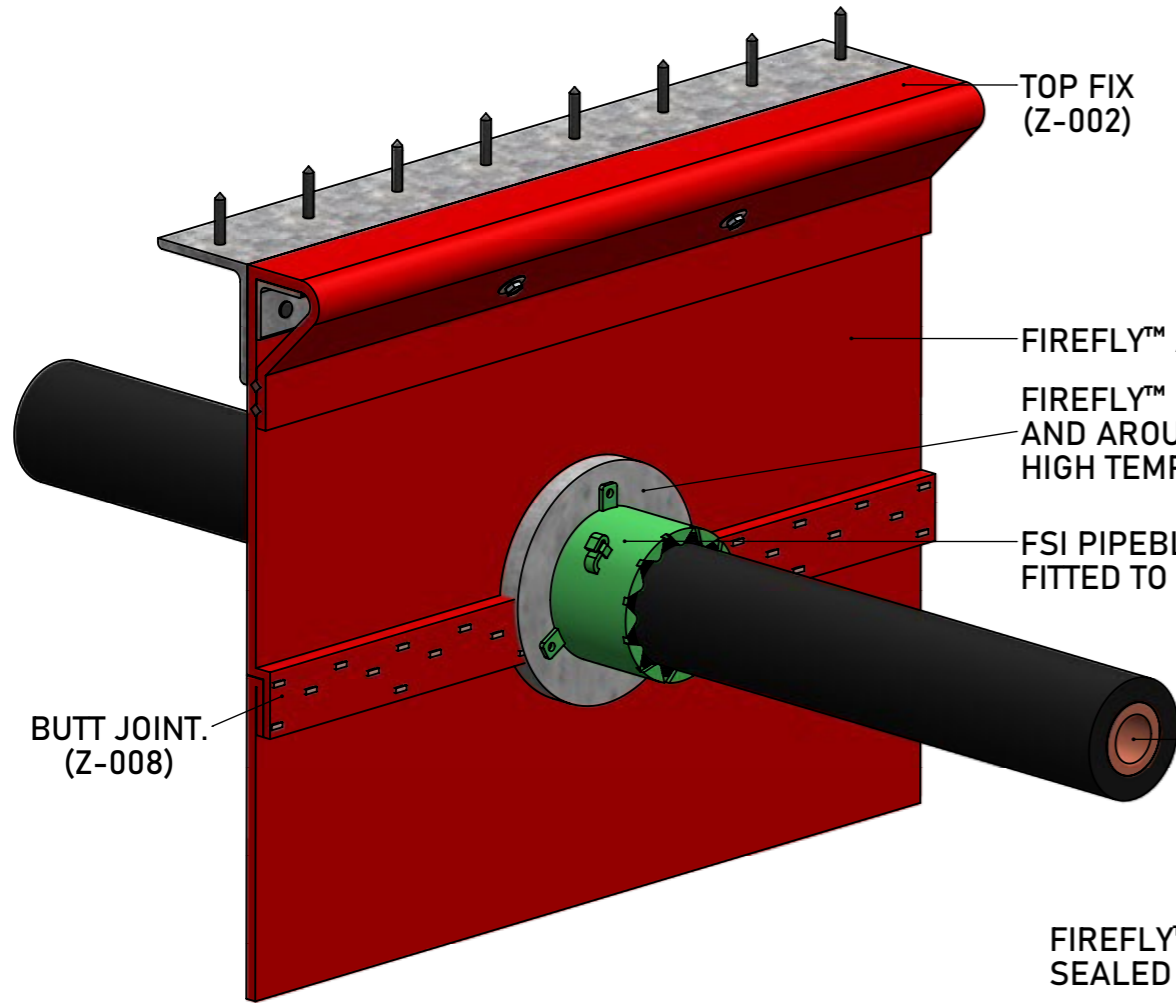


DO NOT SCALE. IF IN DOUBT ASK!



TOP FIX (Z-002)

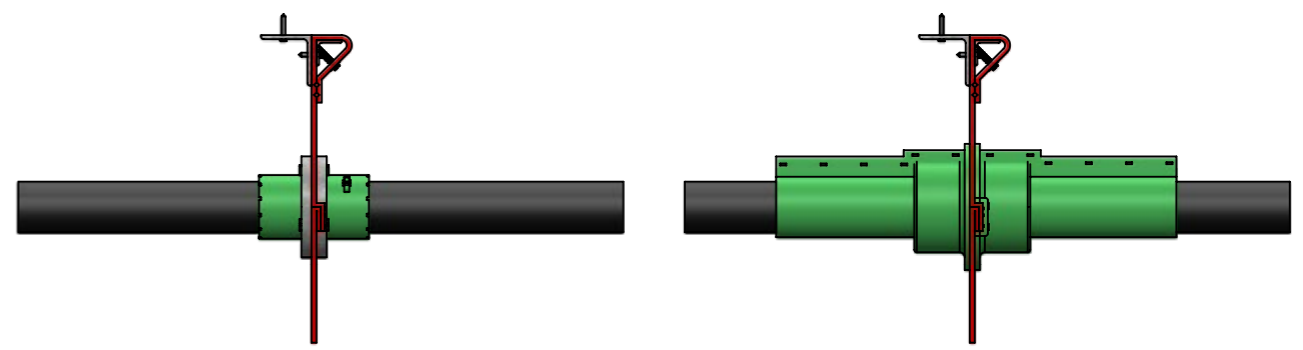
FIREFLY™ APOLLO LITE BARRIER.

FIREFLY™ PENOWRAP FIT FLUSH TO THE BARRIER AND AROUND THE PENETRATION, FIXED WITH FIREFLY™ HIGH TEMPERATURE ADHESIVE.

FSI PIPEBLOC® PCP INTUMESCENT PIPE COLLAR FITTED TO BOTH SIDES OF BARRIER.

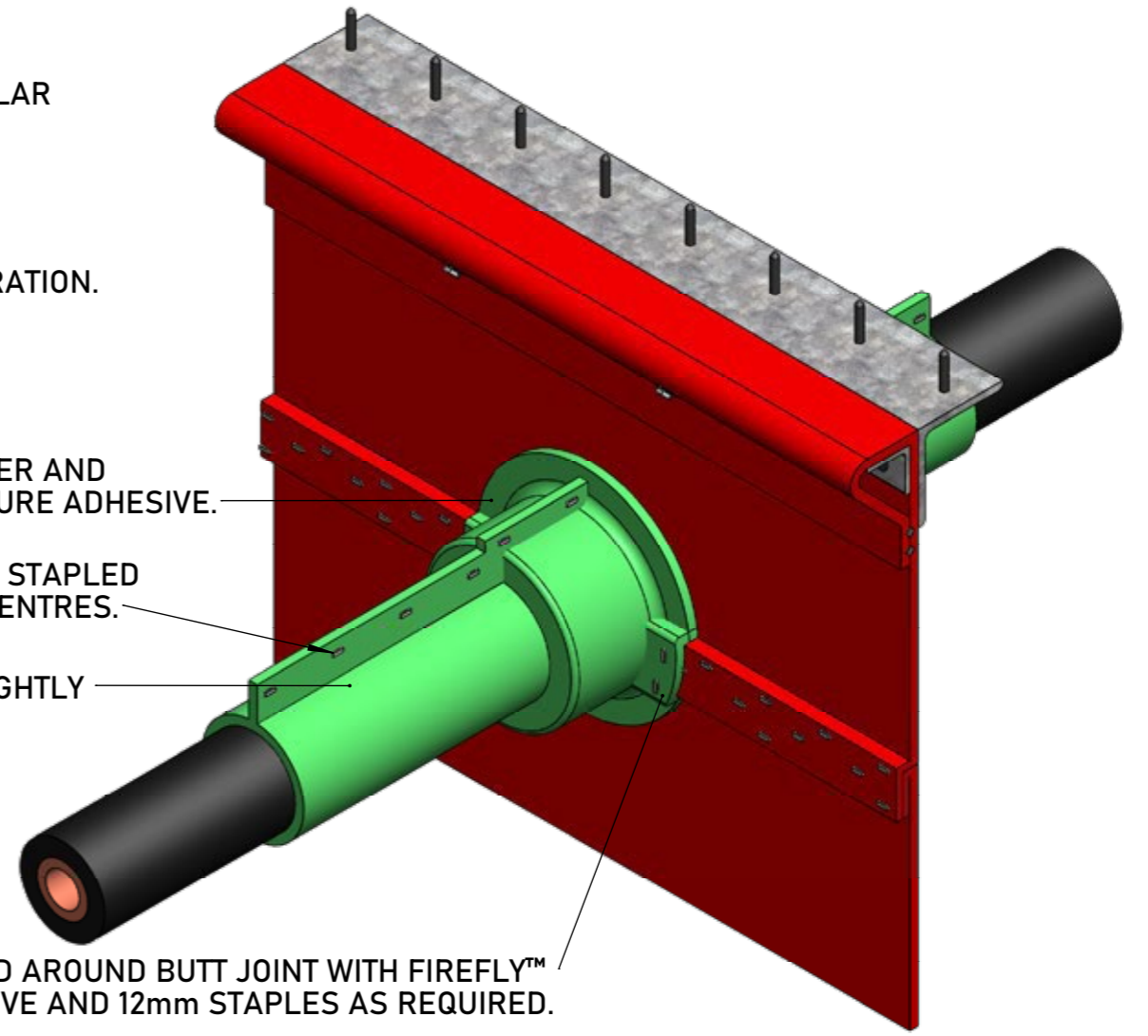
BUTT JOINT. (Z-008)

INSULATED COPPER PIPE PENETRATION.



FIREFLY™ COLLAROLL FIT FLUSH TO BARRIER AND SEALED WITH 2 BEADS OF HIGH TEMPERATURE ADHESIVE.

FIREFLY™ COLLAROLLS FOLDED OVER AND STAPLED TO ITSELF WITH 12mm STAPLES AT 80mm CENTRES.



FIREFLY™ COLLAROLL FIT TIGHTLY AROUND THE PENETRATION.

COLLAROLL DETAILS. (Z-009)

COLLAROLL FLANGE SEALED AROUND BUTT JOINT WITH FIREFLY™ HIGH TEMPERATURE ADHESIVE AND 12mm STAPLES AS REQUIRED.

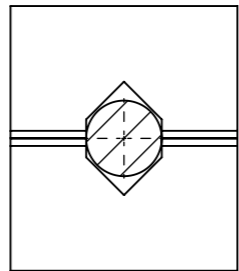
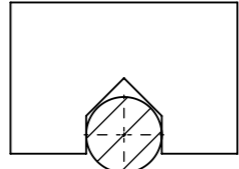
PENETRATION DETAILS.

WORKING FROM THE TOP DRAPE THE BARRIER 150mm PAST THE CENTRE OF THE PENETRATION.

CUT THE BARRIER TO ACCOMMODATE THE PENETRATION.

LIFT SECOND BARRIER AND STAPLE TO ABOVE BARRIER USING STANDARD 3 ROW STAPLE BUTT JOINT.

CUT LOWER BARRIER TO ACCOMMODATE THE PENETRATION.



ALL RIGHTS RESERVED. NO PARTS OF THIS DRAWING MAY BE USED REPRODUCED, ALTERED, STORED IN A RETRIEVAL SYSTEM OR TRANSMITTED IN ANY FORM OR BY ANY MEANS WITHOUT THE PRIOR WRITTEN PERMISSION OF TBA PROTECTIVE TECHNOLOGIES LTD. WHILST EVERY EFFORT HAS BEEN MADE TO COMPLY WITH THE CURRENT STATUTORY REGULATIONS, IT IS THE USER'S RESPONSIBILITY TO ENSURE THAT THE FINAL DETAILING AND INSTALLATION MEETS THE REQUIREMENTS OF RELEVANT REGULATORY AUTHORITY (OFTEN BUILDING CONTROL). PLEASE CHECK www.tbafirefly.com TO ENSURE THAT YOU ARE USING THE CORRECT AND CURRENT VERSION. COPYRIGHT 2022



ZEUS LITE™ - COPPER PIPE PENETRATION

TBA PROTECTIVE TECHNOLOGIES LTD UNIT 3, Transpennine Trading Estate, Gorrells Way Rochdale, OL11 2PX, United Kingdom T: +44 (0)1706 758 817 E: Technical@TBAFIREFLY.com W: www.tbafirefly.com	ARTIST: JC	DRAWING NO:
	APPROVED: KG	Z - 203
	DATE: 25/01/2023	REVISION: 1
	SCALE: NTS	IN SEQUENCE: 1/1