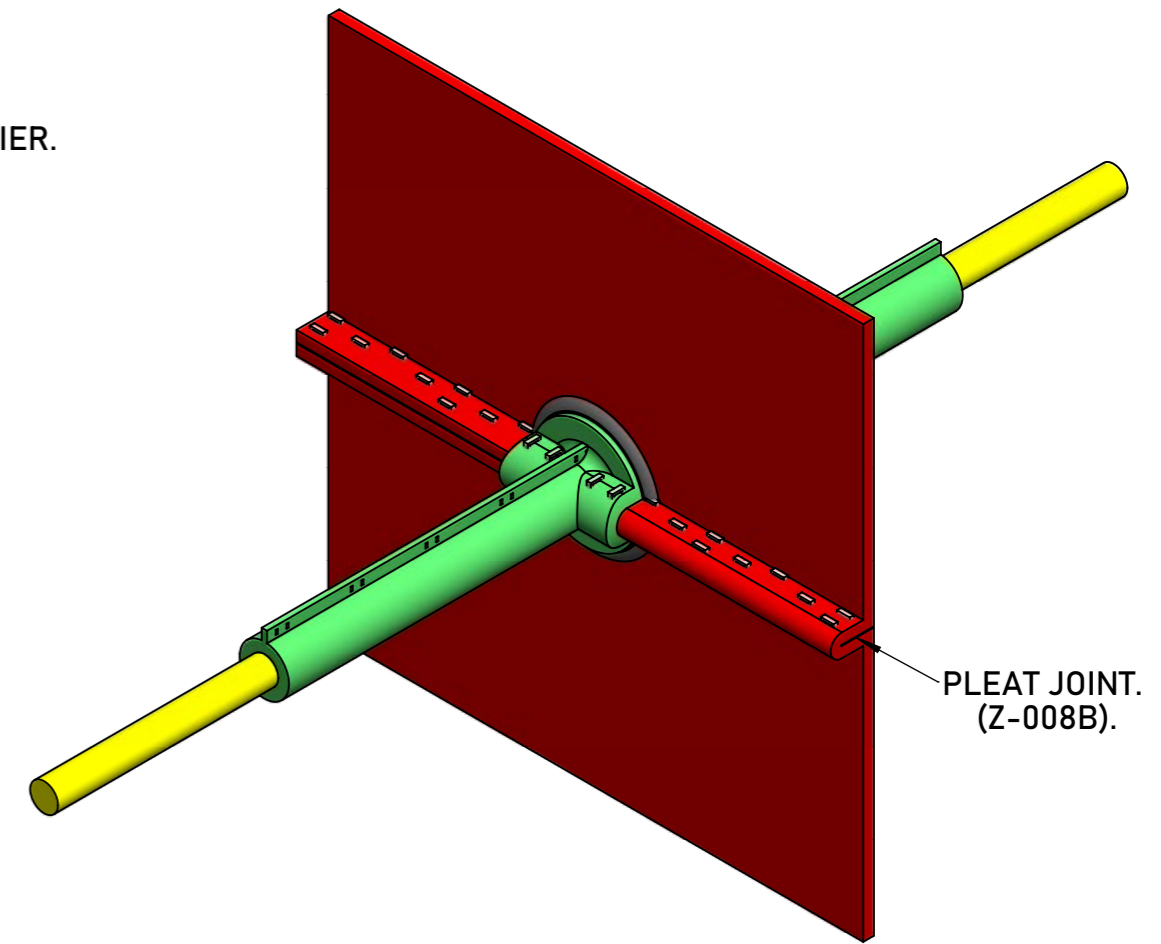
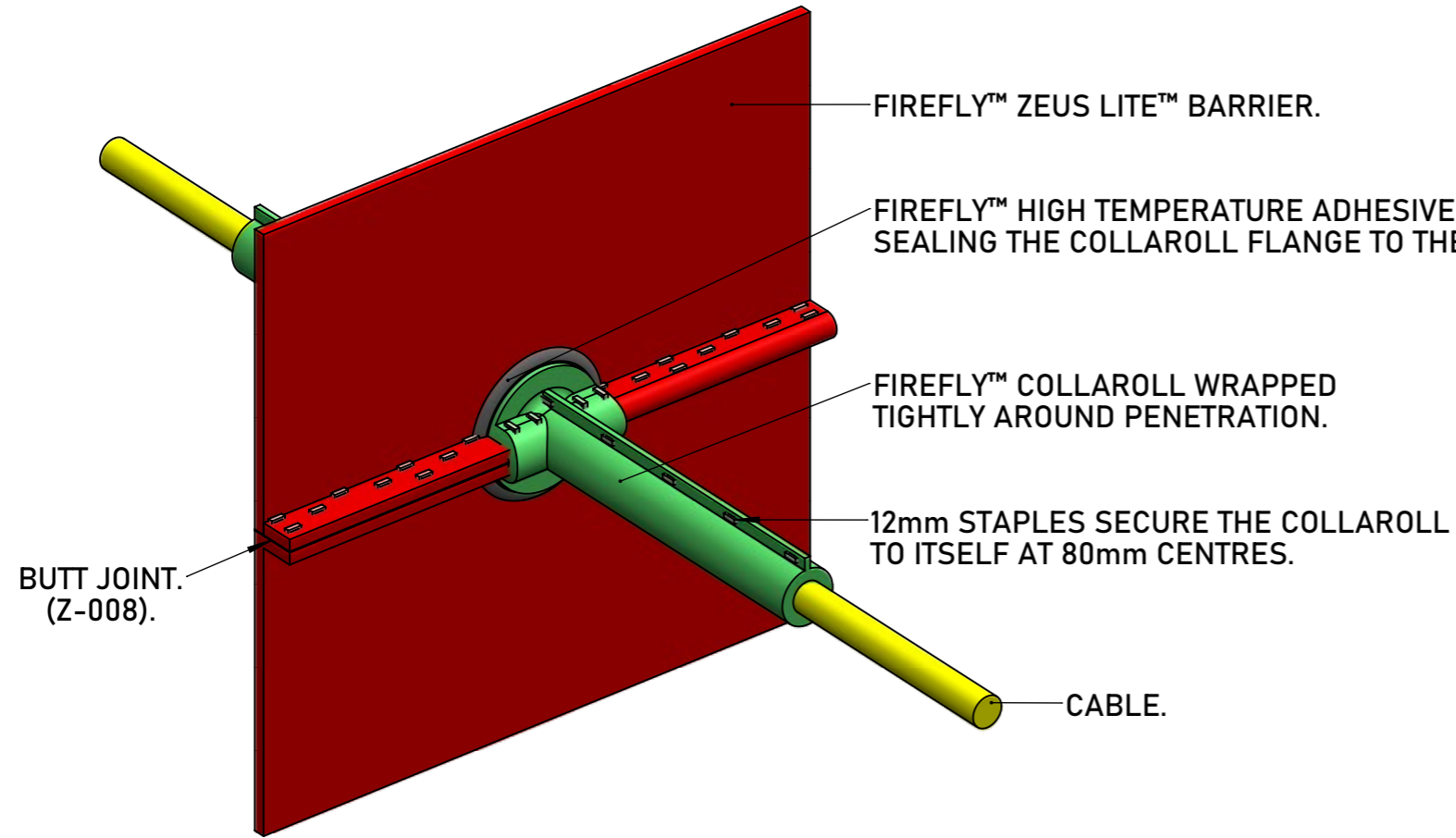


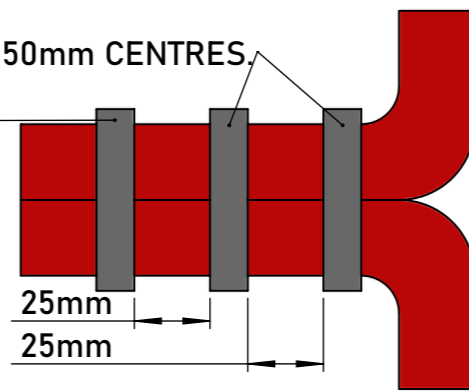
DO NOT SCALE. IF IN DOUBT ASK!

THIS DETAIL IS ONLY FOR SINGLE CABLES UP TO 16mm IN DIAMETER.
FOR CABLE BUNCHINGS, CABLE TRAYS AND TRUNKINGS SEE (Z-231, Z-232 & Z-232B).

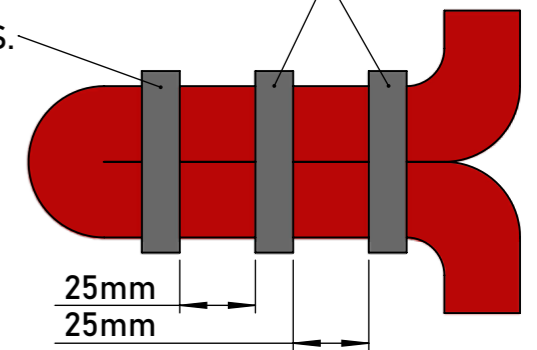


IF CABLE IS ALREADY INSTALLED A BUTT AND PLEAT JOINT SHOULD BE USED TO ACCOMMODATE THEM.
IF CABLES ARE TO BE INSTALLED AFTER BARRIERS FITTED SEE: (Z-230B).

2 ROWS OF 12mm STAPLES STAGGERED AT 50mm CENTRES.
CLOSING STAPLES AT 150mm CENTRES.
BUTT JOINT DETAILS.



2 ROWS OF 12mm STAPLES STAGGERED AT 50mm CENTRES.
CLOSING STAPLES AT 150mm CENTRES.
PLEAT JOINT DETAILS.



ALL RIGHTS RESERVED. NO PARTS OF THIS DRAWING MAY BE USED REPRODUCED, ALTERED, STORED IN A RETRIEVAL SYSTEM OR TRANSMITTED IN ANY FORM OR BY ANY MEANS WITHOUT THE PRIOR WRITTEN PERMISSION OF TBA PROTECTIVE TECHNOLOGIES LTD. WHILST EVERY EFFORT HAS BEEN MADE TO COMPLY WITH THE CURRENT STATUTORY REGULATIONS, IT IS THE USER'S RESPONSIBILITY TO ENSURE THAT THE FINAL DETAILING AND INSTALLATION MEETS THE REQUIREMENTS OF RELEVANT REGULATORY AUTHORITY (OFTEN BUILDING CONTROL). PLEASE CHECK www.tbafirefly.com TO ENSURE THAT YOU ARE USING THE CORRECT AND CURRENT VERSION. COPYRIGHT 2022

ZEUS LITE™ - SINGLE CABLE

TBA PROTECTIVE TECHNOLOGIES LTD

UNIT 3, Transpennine Trading Estate, Gorrells Way
Rochdale, OL11 2PX, United Kingdom

T: +44 (0)1706 758 817
E: Technical@TBAFIREFLY.com
W: www.tbafirefly.com

ARTIST: JC

APPROVED: KG

DATE: 07/12/2022

SCALE: NTS

DRAWING NO:

Z - 230

REVISION: 1

IN SEQUENCE: 1/1