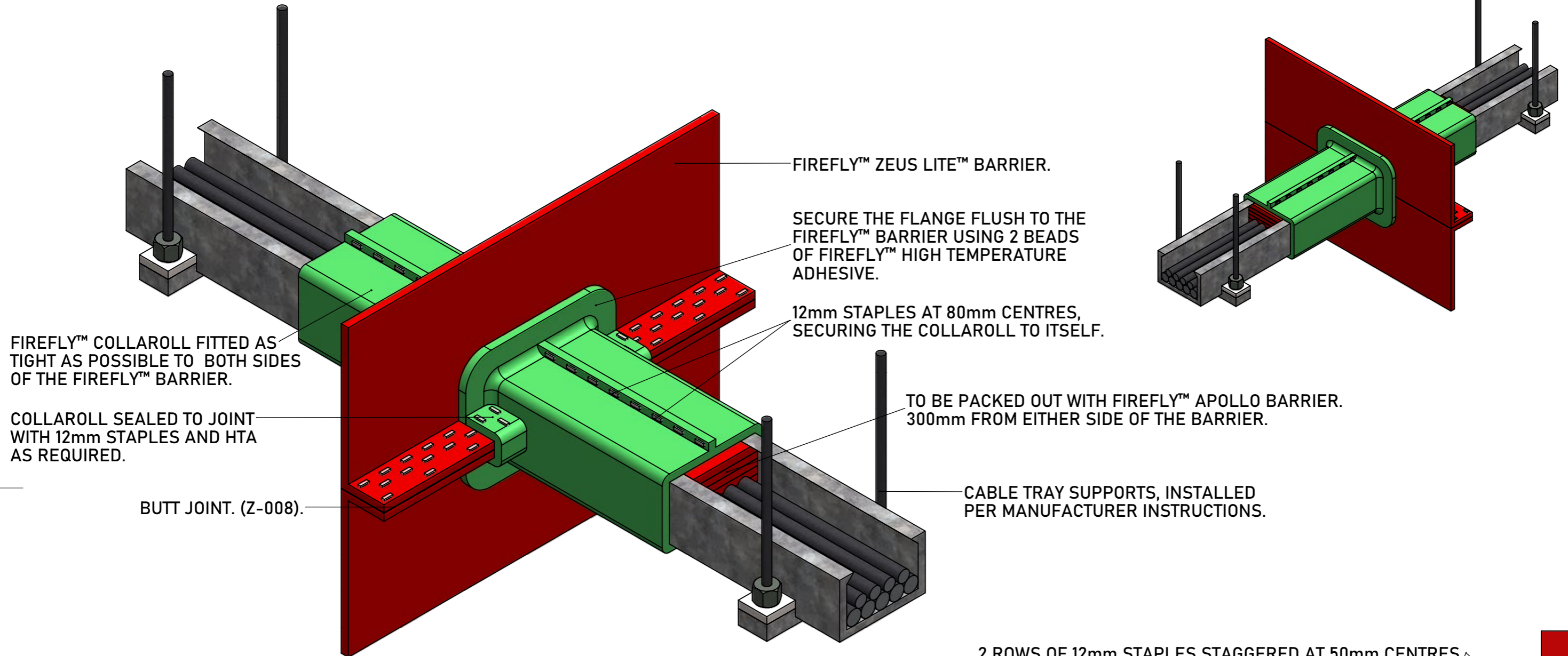


DO NOT SCALE. IF IN DOUBT ASK!



FIREFLY™ COLLAROLL FITTED AS TIGHT AS POSSIBLE TO BOTH SIDES OF THE FIREFLY™ BARRIER.

COLLAROLL SEALED TO JOINT WITH 12mm STAPLES AND HTA AS REQUIRED.

BUTT JOINT. (Z-008).

FIREFLY™ ZEUS LITE™ BARRIER.

SECURE THE FLANGE FLUSH TO THE FIREFLY™ BARRIER USING 2 BEADS OF FIREFLY™ HIGH TEMPERATURE ADHESIVE.

12mm STAPLES AT 80mm CENTRES, SECURING THE COLLAROLL TO ITSELF.

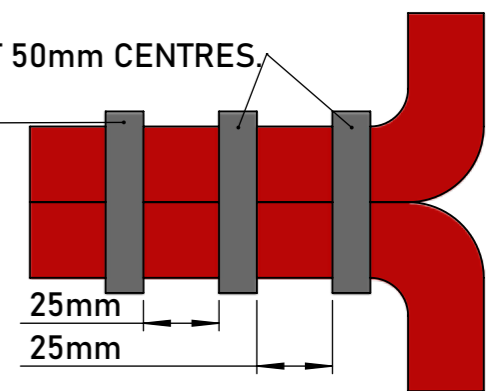
TO BE PACKED OUT WITH FIREFLY™ APOLLO BARRIER. 300mm FROM EITHER SIDE OF THE BARRIER.

CABLE TRAY SUPPORTS, INSTALLED PER MANUFACTURER INSTRUCTIONS.

2 ROWS OF 12mm STAPLES STAGGERED AT 50mm CENTRES.

CLOSING STAPLES AT 150mm CENTRES.

BUTT JOINT DETAILS.



ZEUS LITE™ - CABLE TRAY PENETRATION

TBA PROTECTIVE TECHNOLOGIES LTD

UNIT 3, Transpennine Trading Estate, Gorrells Way
Rochdale, OL11 2PX, United Kingdom

T: +44 (0)1706 758 817
E: Technical@TBAFIREFLY.com
W: www.tbafirefly.com

ARTIST: JC

APPROVED: DA

DATE: 07/12/2022

SCALE: NTS

DRAWING NO:

Z - 232

REVISION: 1

IN SEQUENCE: 1/1

ALL RIGHTS RESERVED. NO PARTS OF THIS DRAWING MAY BE USED REPRODUCED, ALTERED, STORED IN A RETRIEVAL SYSTEM OR TRANSMITTED IN ANY FORM OR BY ANY MEANS WITHOUT THE PRIOR WRITTEN PERMISSION OF TBA PROTECTIVE TECHNOLOGIES LTD. WHILST EVERY EFFORT HAS BEEN MADE TO COMPLY WITH THE CURRENT STATUTORY REGULATIONS, IT IS THE USER'S RESPONSIBILITY TO ENSURE THAT THE FINAL DETAILING AND INSTALLATION MEETS THE REQUIREMENTS OF RELEVANT REGULATORY AUTHORITY (OFTEN BUILDING CONTROL). PLEASE CHECK www.tbafirefly.com TO ENSURE THAT YOU ARE USING THE CORRECT AND CURRENT VERSION. COPYRIGHT 2022

